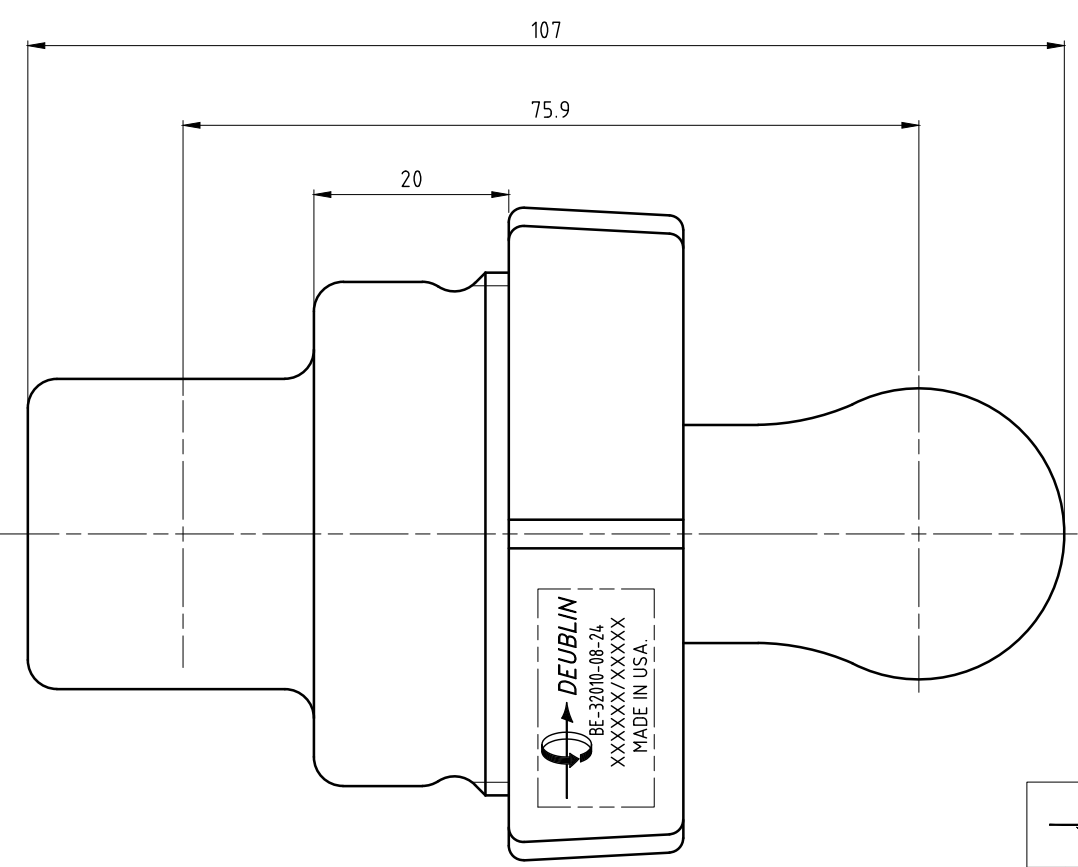
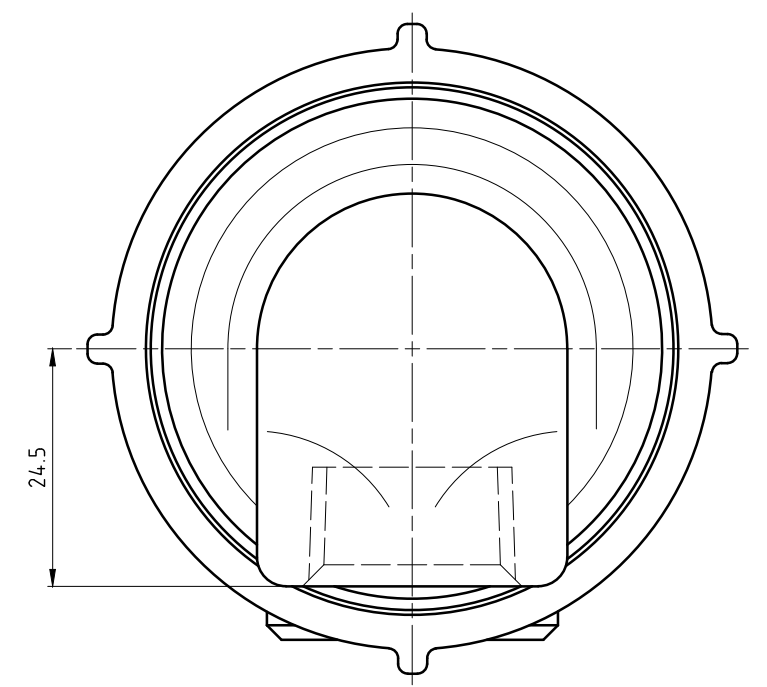
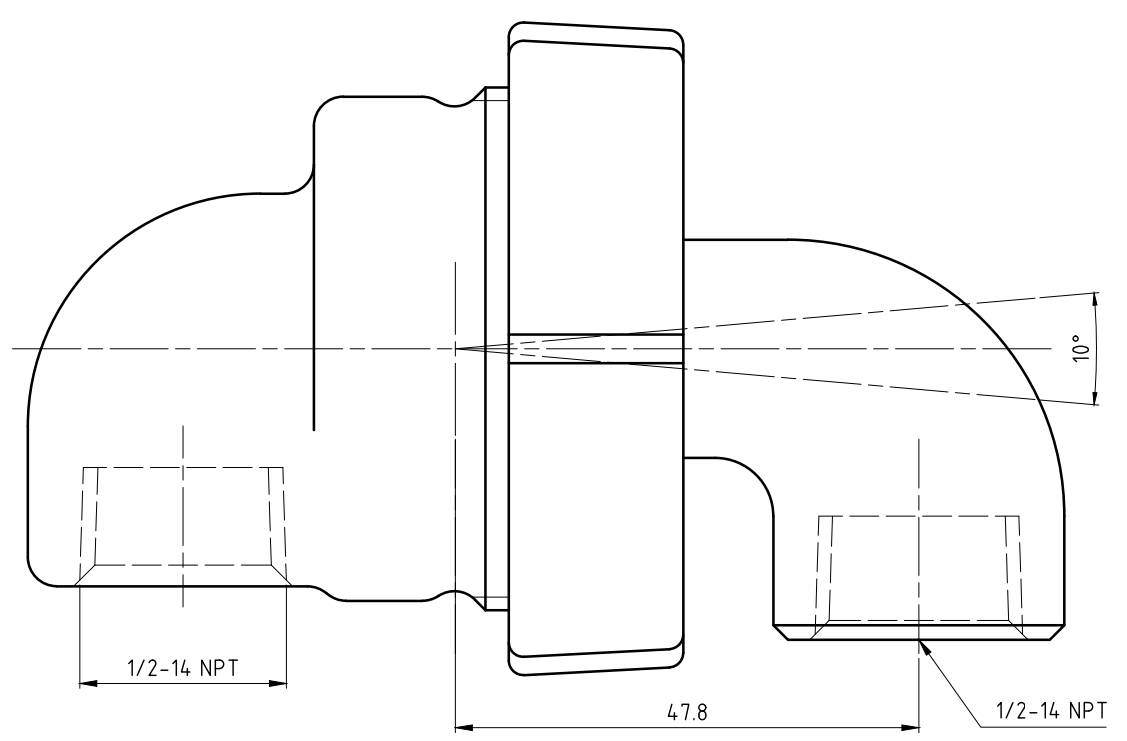
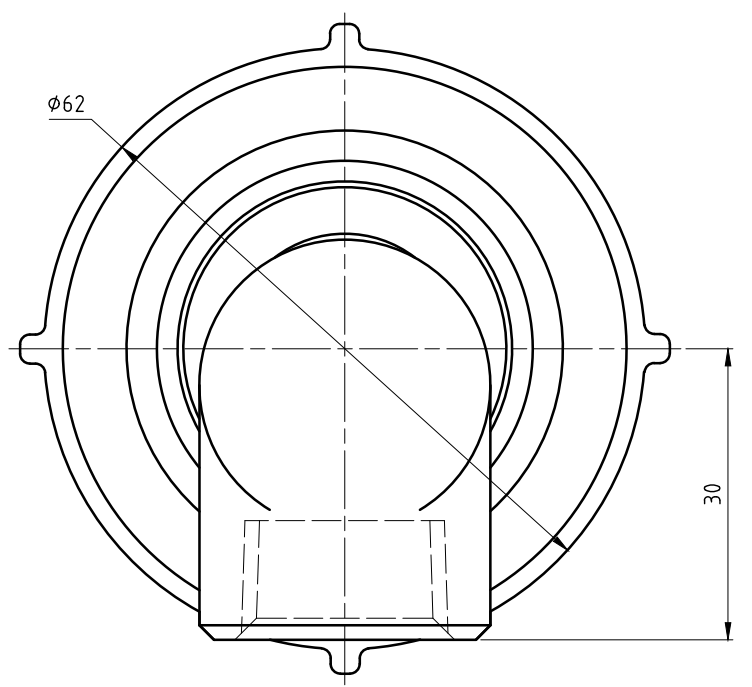




CONFIDENTIAL
 THIS DOCUMENT CONTAINS CONFIDENTIAL AND PROPRIETARY
 INFORMATION OF DEUBLIN COMPANY. COPYING, USE,
 TRANSMISSION, DISTRIBUTION, AND DISCLOSURE ARE SUBJECT
 TO THE TERMS AND CONDITIONS CONTAINED IN YOUR
 AGREEMENT WITH DEUBLIN COMPANY. ALL RIGHTS RESERVED.



		PROJECTION: 	SCALE: 2:1
			MATERIAL: INTERFACE CONTROL DRAWING
		DATE: 07/21/14 NAME: N. Reyna	TITLE: SWIVEL SELF-ALIGNING DOUBLE 90° 1/2" NPT
		ENGR. 07/21/14 NAME: L. Freed	
		APPD.	
A ISSUE	UPDATED GEOMETRY MODIFICATION	035271 ECO	11/15 DATE
		NR SIGN	NO. BE-32010-08-24
			SHEET A2

UNLESS SPECIFICALLY TOLERANCED, ALL DIMENSIONS ARE CONSIDERED REFERENCE