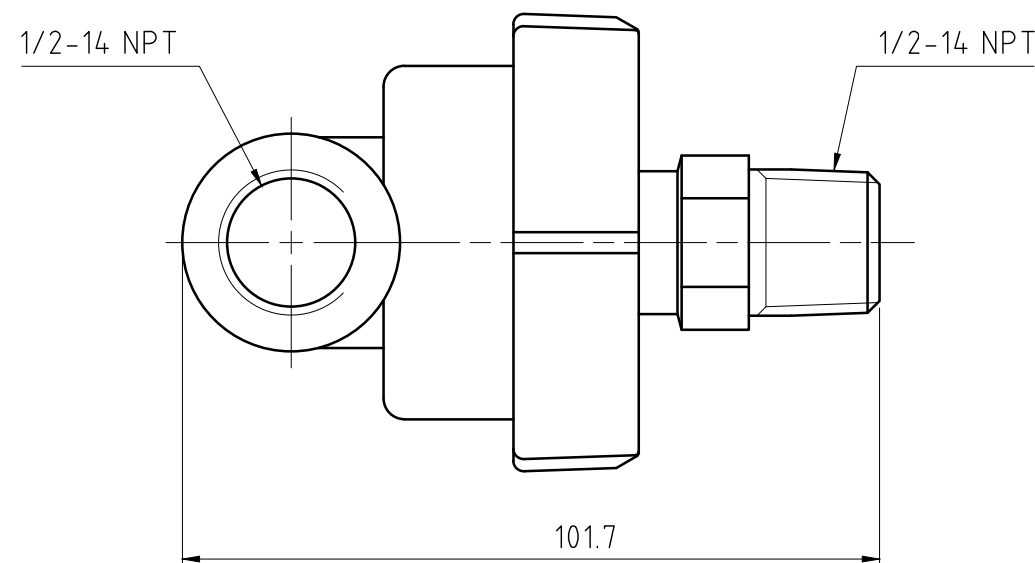
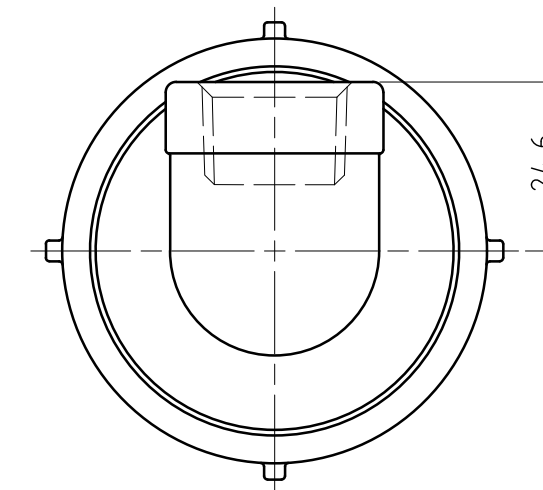
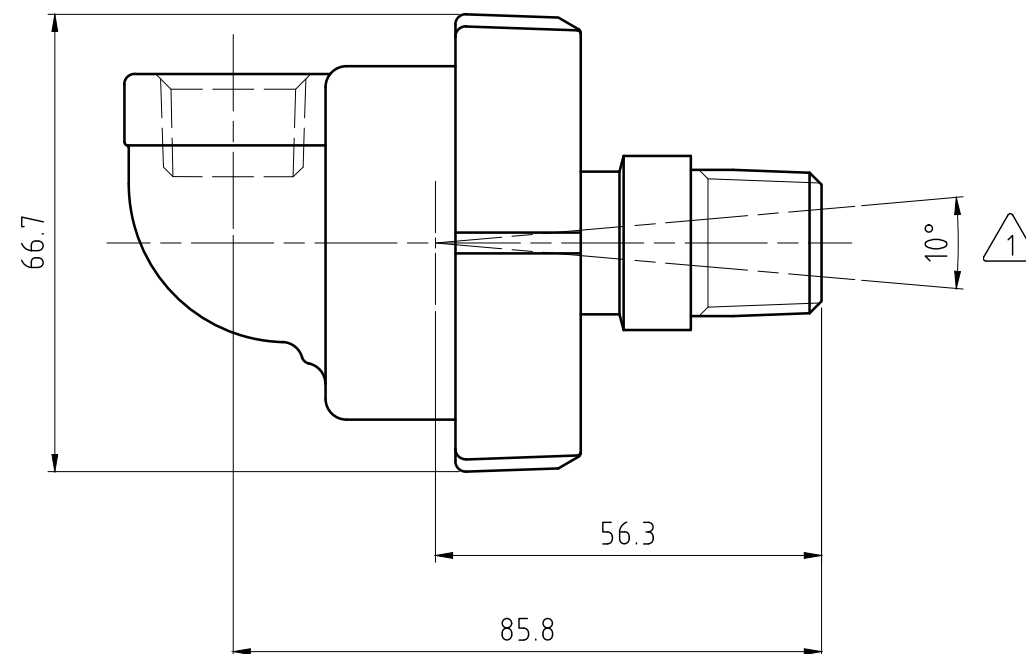
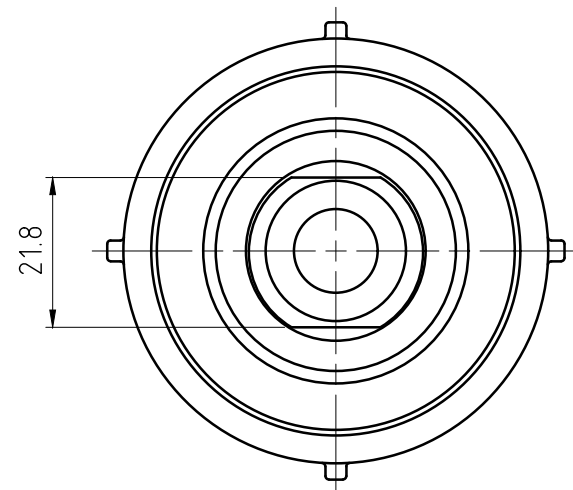


CONFIDENTIAL

THIS DOCUMENT CONTAINS CONFIDENTIAL AND PROPRIETARY INFORMATION OF DEUBLIN COMPANY. COPYING, USE, TRANSMISSION, DISTRIBUTION, AND DISCLOSURE ARE SUBJECT TO THE TERMS AND CONDITIONS CONTAINED IN YOUR AGREEMENT WITH DEUBLIN COMPANY. ALL RIGHTS RESERVED.

NOTES:

△1 - TOTAL FLEX



		PROJECTION:		SCALE: 1:1	MATERIAL: INTERFACE CONTROL DRAWING	
			DATE	NAME	TITLE: SELF ALIGN SWIVEL JOINT	
			DRN. 01/14/13	N. Reyna		
			ENGR. 01/14/13	L. Freed		
			APPD.			
UNLESS SPECIFICALLY TOLERANCED, ALL DIMENSIONS ARE CONSIDERED REFERENCE					NO. BE-32011-08-24	SHEET A2
ISSUE	MODIFICATION	ECO	DATE	SIGN		