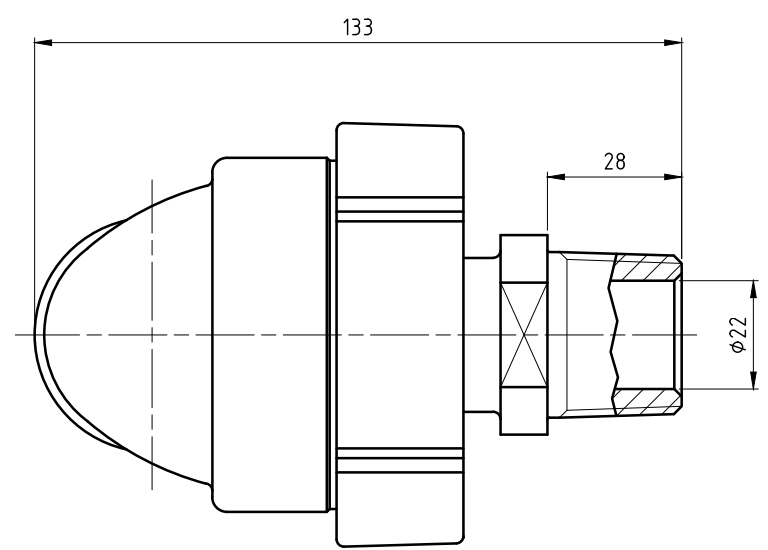
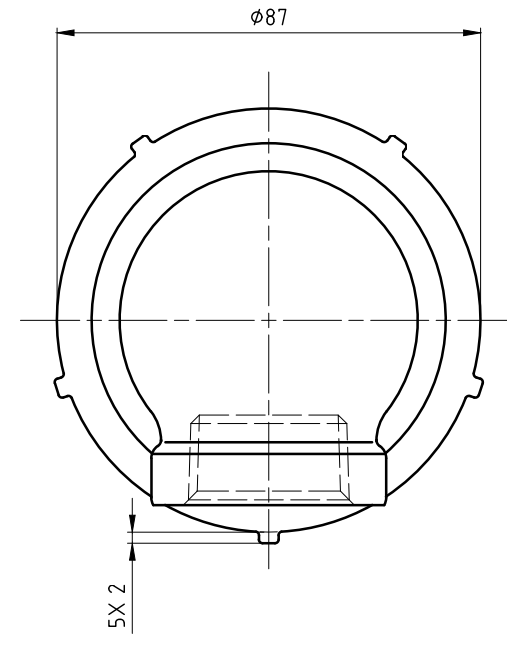
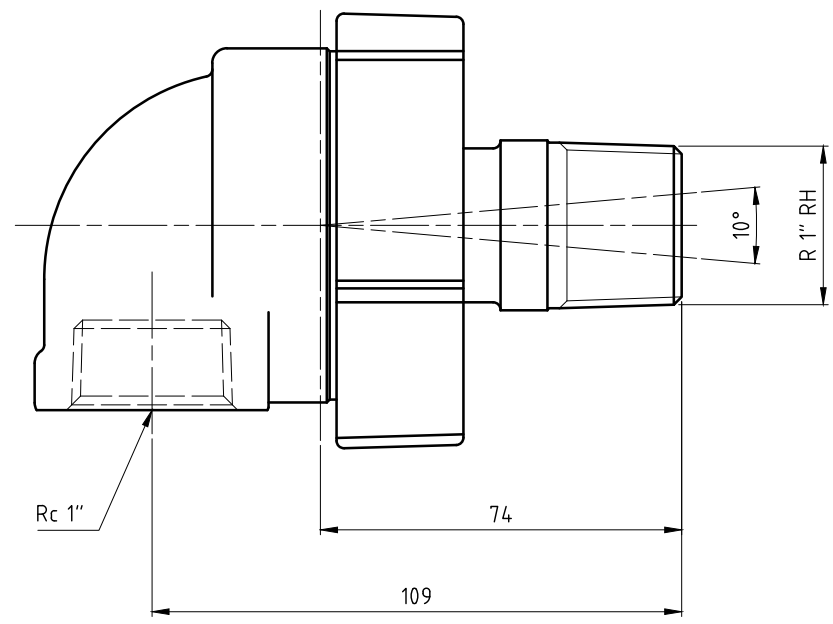
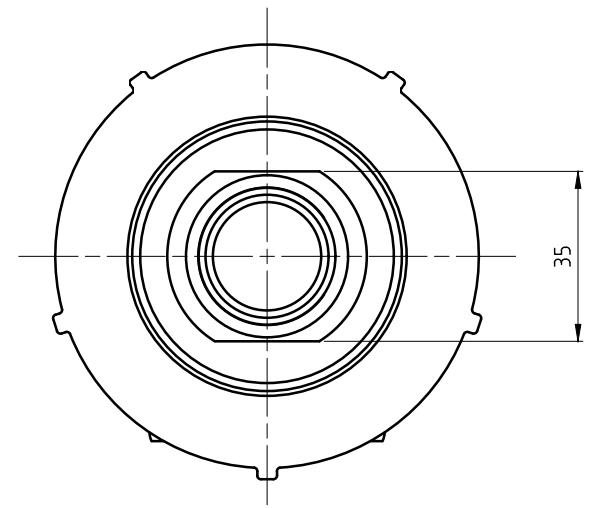




CONFIDENTIAL  
 THIS DOCUMENT CONTAINS CONFIDENTIAL AND PROPRIETARY  
 INFORMATION OF DEUBLIN COMPANY. COPYING, USE,  
 TRANSMISSION, DISTRIBUTION, AND DISCLOSURE ARE SUBJECT  
 TO THE TERMS AND CONDITIONS CONTAINED IN YOUR  
 AGREEMENT WITH DEUBLIN COMPANY. ALL RIGHTS RESERVED.



|   |              |   |                                     |
|---|--------------|---|-------------------------------------|
|  |              | PROJECTION:  | SCALE: 1:1                          |
|   |              |   | MATERIAL: INTERFACE CONTROL DRAWING |
|   |              | DATE: 02/28/14<br>NAME: N. Reyna  | TITLE: DEUBLIN UNION                |
|   |              | ENGR: 02/28/04<br>NAME: L. Freed  |                                     |
|   |              | APPD.   |                                     |
| UNLESS SPECIFICALLY TOLERANCED, ALL DIMENSIONS ARE CONSIDERED REFERENCE               |              |   | NO. BE-32011-16-24B                 |
| ISSUE   | MODIFICATION | ECO   | DATE                                |
|   |              |   | SIGN                                |
|   |              |   | SHEET A2                            |