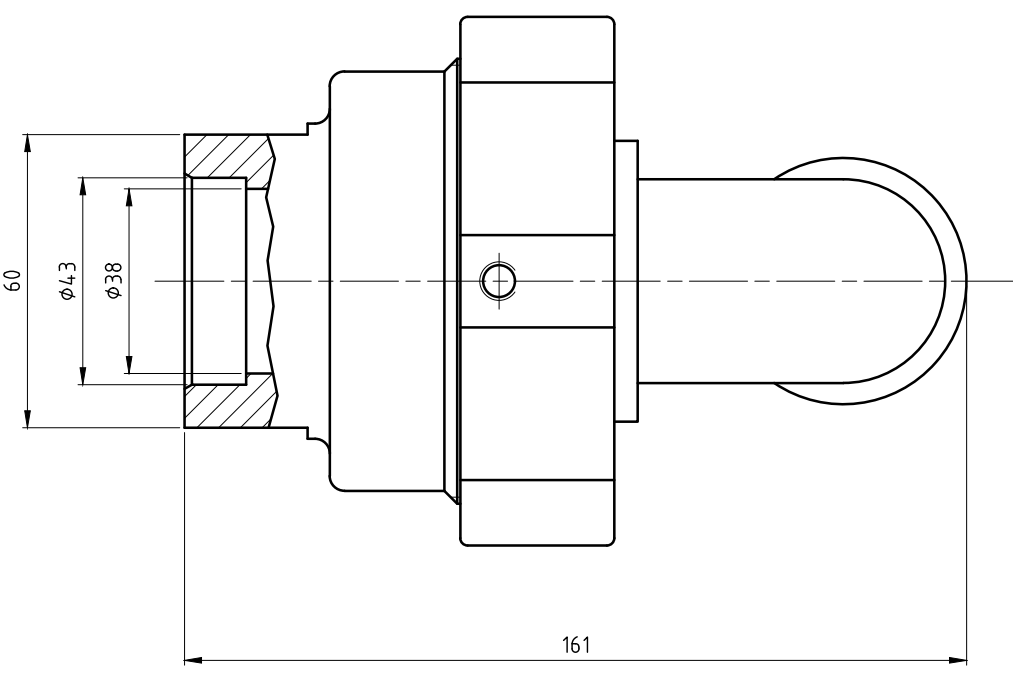
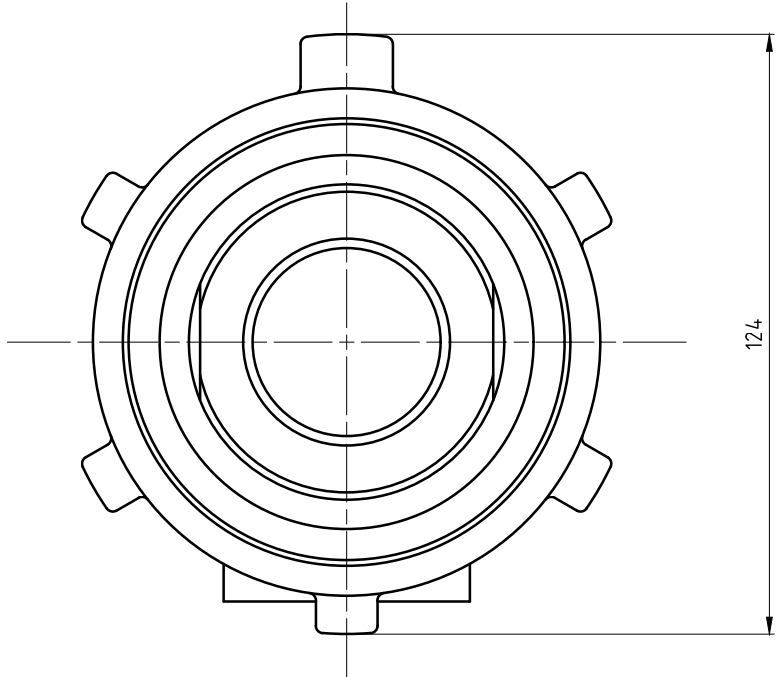
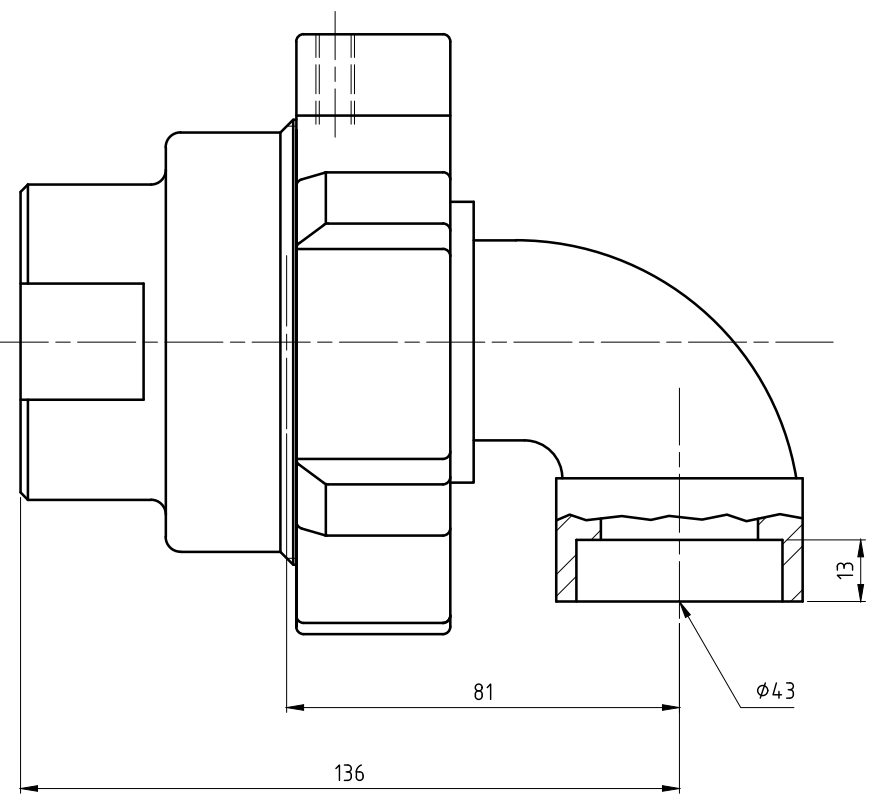
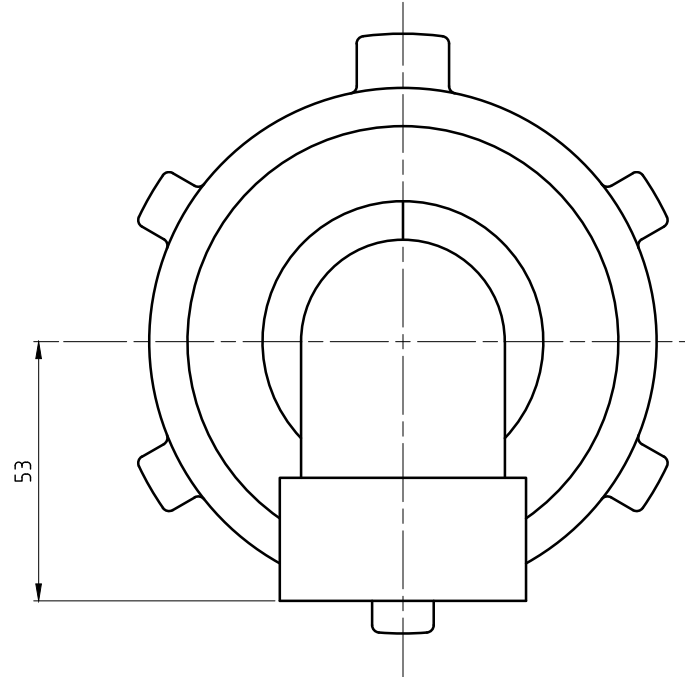




CONFIDENTIAL
 THIS DOCUMENT CONTAINS CONFIDENTIAL AND PROPRIETARY
 INFORMATION OF DEUBLIN COMPANY. COPYING, USE,
 TRANSMISSION, DISTRIBUTION, AND DISCLOSURE ARE SUBJECT
 TO THE TERMS AND CONDITIONS CONTAINED IN YOUR
 AGREEMENT WITH DEUBLIN COMPANY. ALL RIGHTS RESERVED.



		PROJECTION: 	SCALE: 1:1
		MATERIAL: INTERFACE CONTROL DRAWING	
		DATE	NAME
		DRN. 01/13/14	N. Reyna
		ENGR. 01/13/14	T. Wilson
		APPD.	
		TITLE: DEUBLIN UNION	
		NO. BE-33514-20-51	
		SHEET A2	
ISSUE	MODIFICATION	ECO	DATE
			SIGN

F
E
D
C
B
A

F
E
D
C
B
A

8

7

6

5

4

3

2

1

8

7

6

5

4