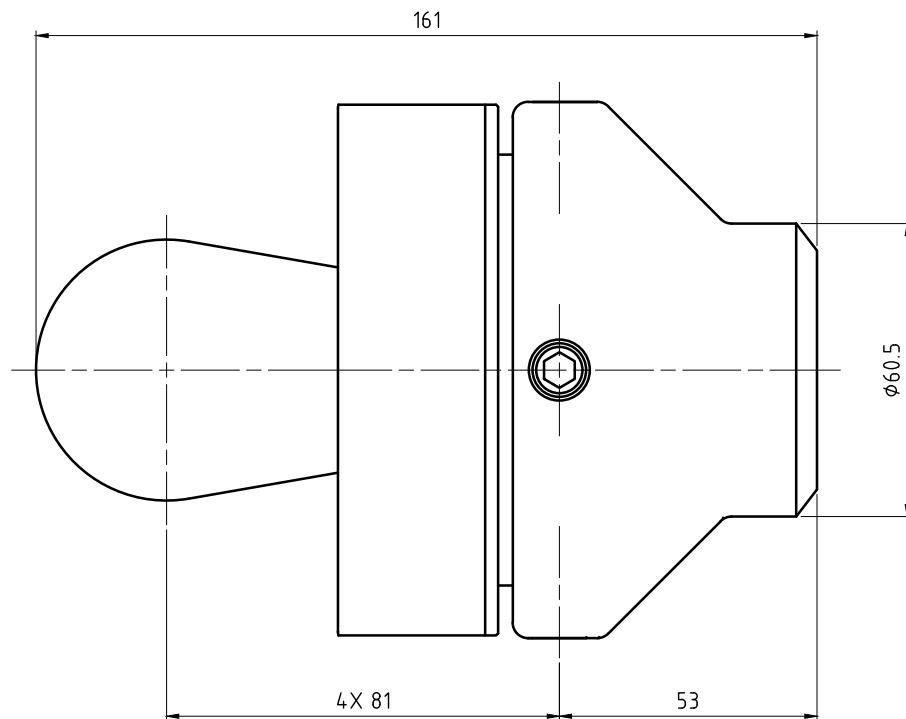
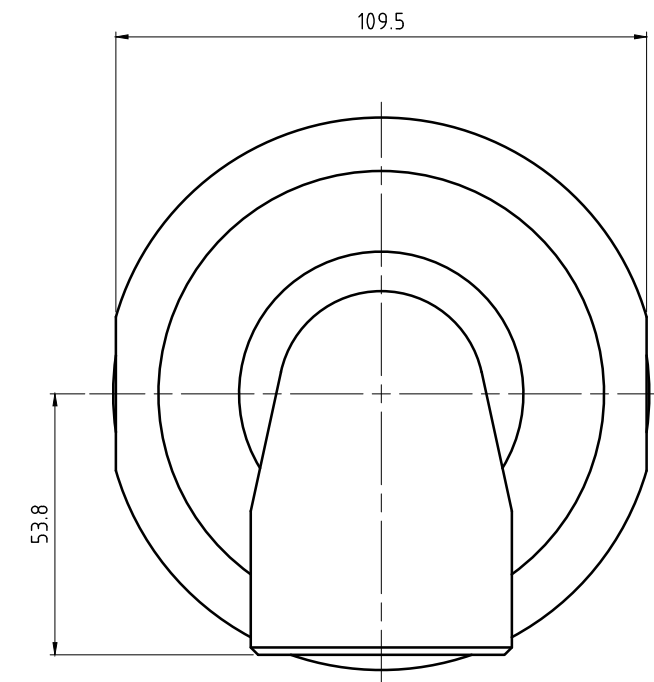
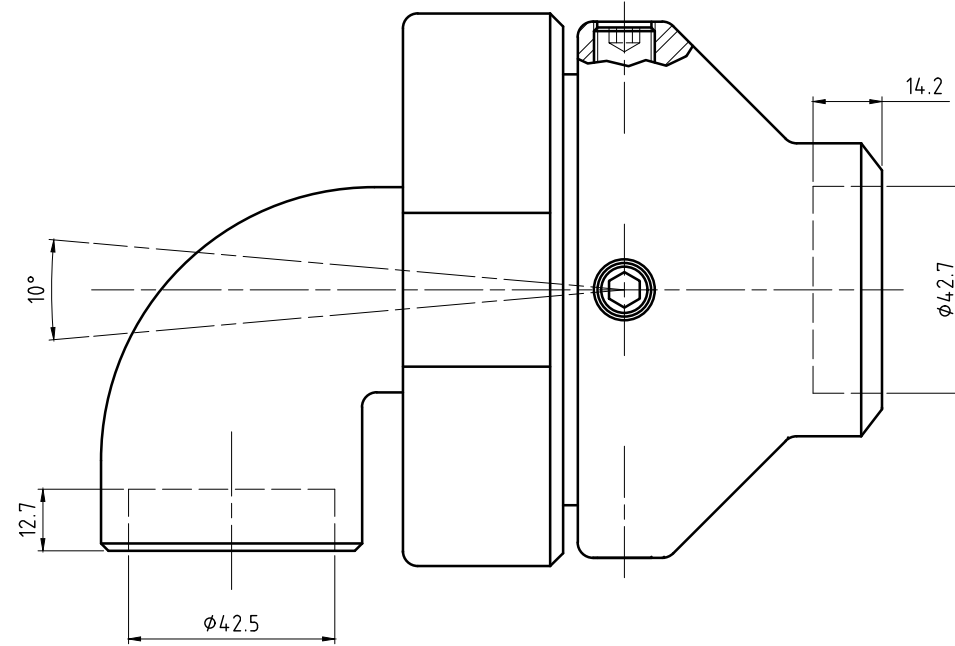
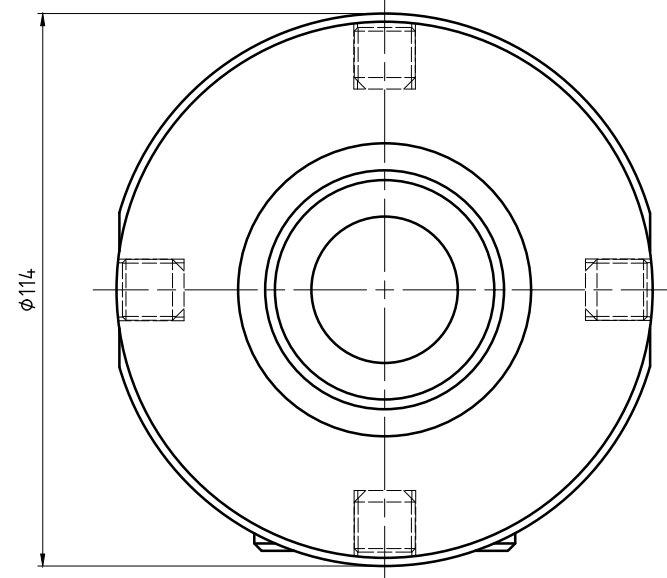




CONFIDENTIAL  
 THIS DOCUMENT CONTAINS CONFIDENTIAL AND PROPRIETARY  
 INFORMATION OF DEUBLIN COMPANY. COPYING, USE,  
 TRANSMISSION, DISTRIBUTION, AND DISCLOSURE ARE SUBJECT  
 TO THE TERMS AND CONDITIONS CONTAINED IN YOUR  
 AGREEMENT WITH DEUBLIN COMPANY. ALL RIGHTS RESERVED.



		PROJECTION: 	SCALE: 1:1
			MATERIAL: INTERFACE CONTROL DRAWING
		DATE: 06/28/16	NAME: N. Reyna
		ENGR: 06/28/16	L. Freed
		APPD:	
TITLE: SELF ALIGNING JOINT, 1 1/4" SIZE 600 SERIES, STYLE 7S-8BS			NO. (A) BE-43006-20-41
A	REVISED TITLE	038345	07/16 NR
	ISSUE MODIFICATION	ECD	DATE SIGN
UNLESS SPECIFICALLY TOLERANCED, ALL DIMENSIONS ARE CONSIDERED REFERENCE			SHEET A2