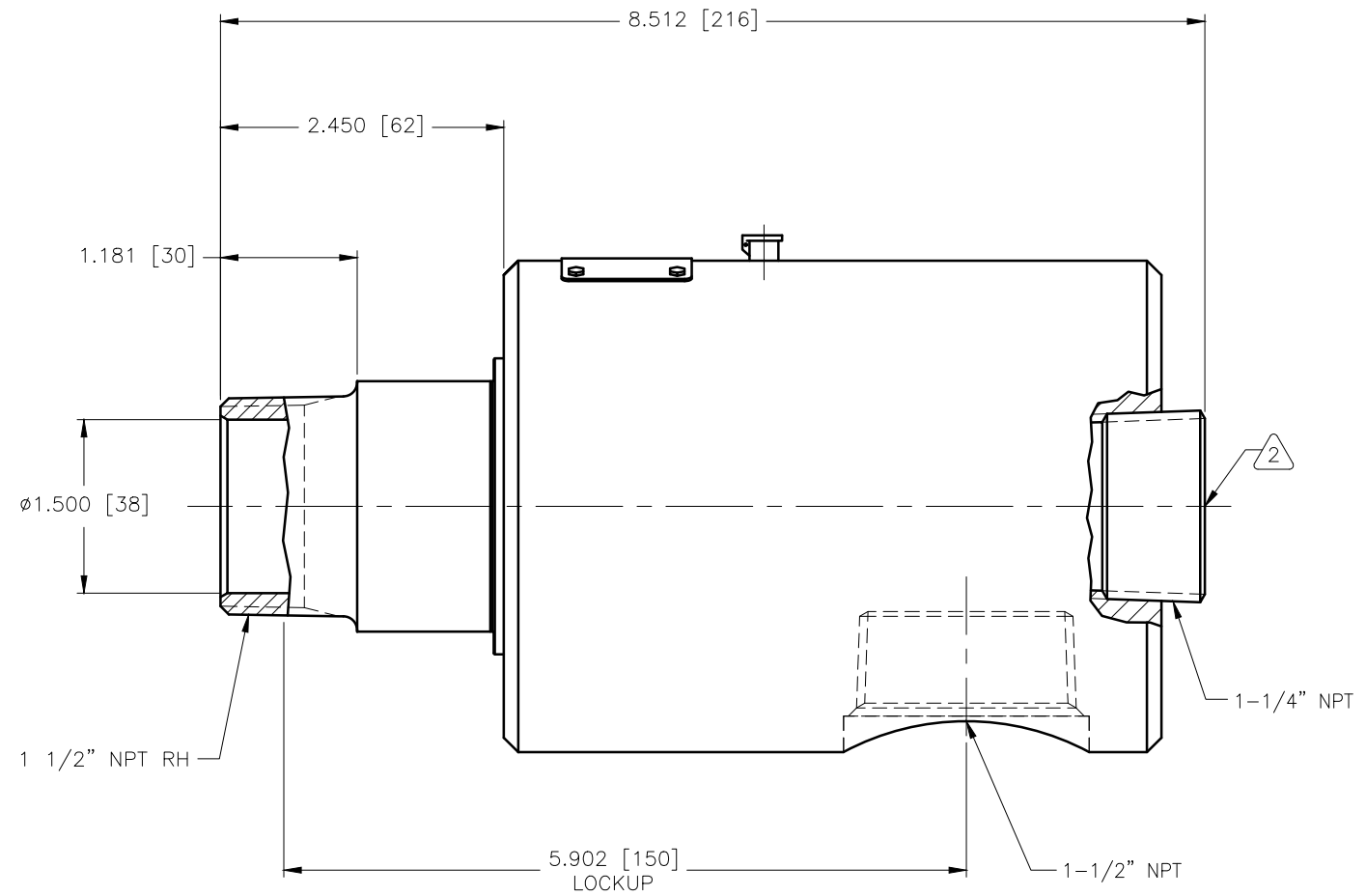
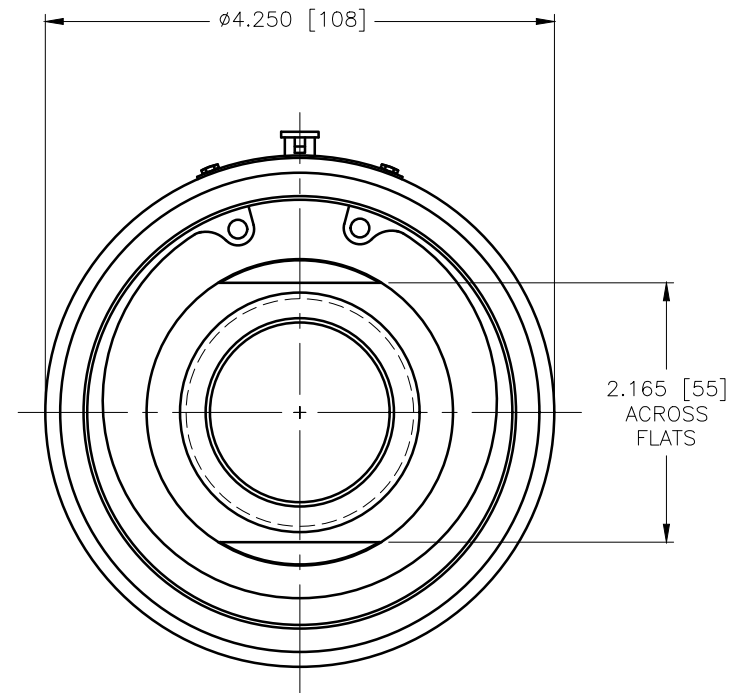


CONFIDENTIAL  
 THIS DOCUMENT CONTAINS CONFIDENTIAL AND PROPRIETARY INFORMATION OF DEUBLIN COMPANY. COPYING, USE, TRANSMISSION, DISTRIBUTION, AND DISCLOSURE ARE SUBJECT TO THE TERMS AND CONDITIONS CONTAINED IN YOUR AGREEMENT WITH DEUBLIN COMPANY. ALL RIGHTS RESERVED.

NOTES:

1 - WHEN ORDERING FROM DEUBLIN USE PART NUMBER: 452-001-001

2 - PLUG INSTALLED HAND TIGHT FROM FACTORY. IF PORT IS NOT UTILIZED, TIGHTEN BEFORE USE.



OPERATING DATA		
MEDIA	AIR & HYDRAULIC	
MAX AIR PRESSURE	150 PSI	10 bar
MAX VACUUM	28" Hg	6.7 kPa
MAX HYD. PRESSURE	750 PSI	50 bar
MAX SPEED	1500 RPM	1500/min
MAX TEMPERATURE	250°F	121°C

SCALE	1 = 1	DWG SIZE		UNLESS SPECIFICALLY TOLERANCED, ALL DIMENSIONS ARE REFERENCE	DEUBLIN COMPANY WAUKEGAN, ILLINOIS, U.S.A.
DRN	NR	11/13/07			
ENGR	TW	11/13/07			
APPD	TW	11/13/07			
PART NO.	452-001-001			DIMENSIONS IN [ ] ARE IN MILLIMETERS.	TITLE: INTERFACE CONTROL DRAWING OF DEUBLIN UNION 452-001-001
CUSTOMER					
LET.	REVISION	ECO	DATE	SIGN	DWG NO. 452-001-001-IC