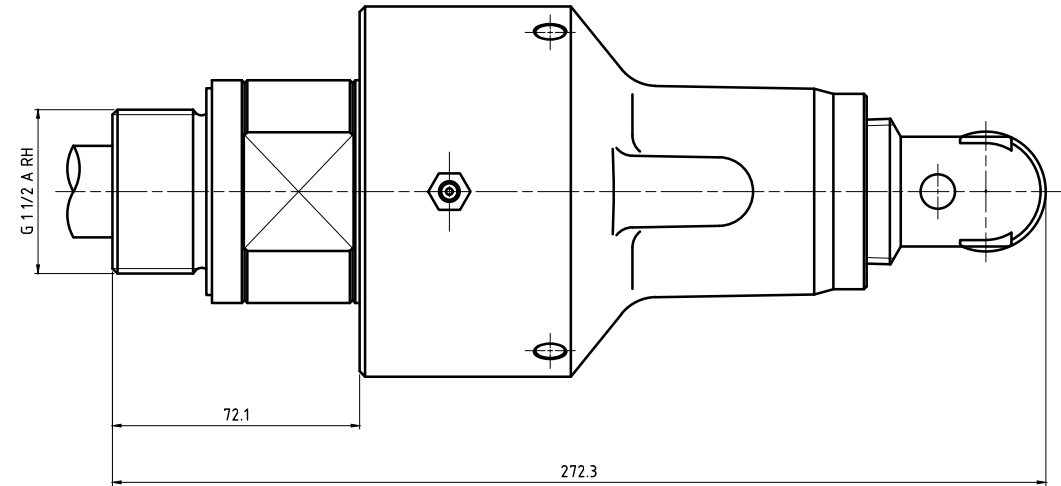
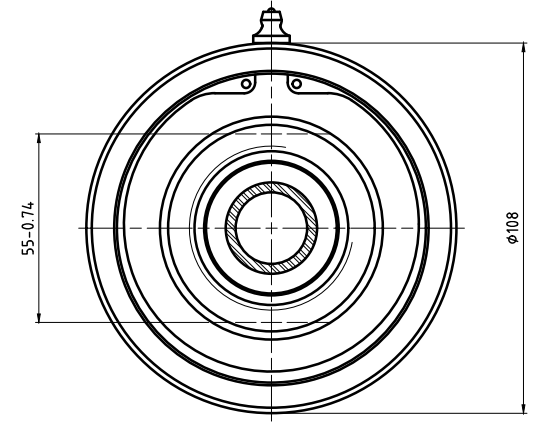
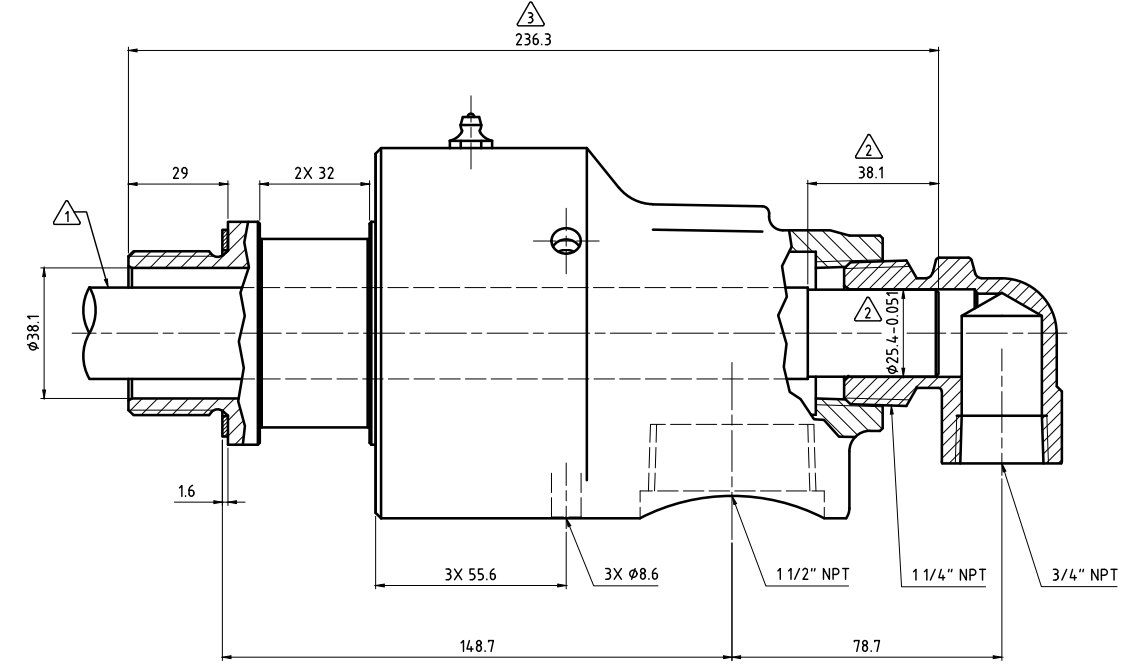
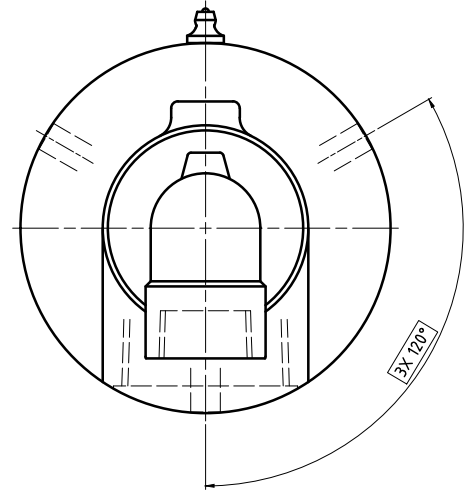


NOTES:
 △ - PIPE SUPPLIED BY CUSTOMER.
 △ - PIPE DIMENSIONS BY CUSTOMER. PIPE SIZE: 3/4".
 △ - PIPE LENGTH INTO UNION.



OPERATING DATA		
MEDIA	WATER/OIL	
MAX WATER PRESSURE	750 PSI	50 bar
MAX OIL PRESSURE	100 PSI	7 bar
MAX TEMPERATURE	250°F	121°C
MAX SPEED	1000 RPM	1000/min
FLOW RATE	40 GPM	150 L/min
APPROX. PRESS DROP @ 40 GPM	7 PSI	0.5 bar

	PROJECTION:	SCALE: 1:1	MATERIAL: INTERFACE CONTROL DRAWING
	DATE: 05/10/12	NAME: N. Reyna	
ENGR: 05/10/12	NAME: T. Wilson	DEUBLIN UNION	
APPD:	NO. 555-084-198144		SHEET A1
UNLESS SPECIFICALLY TOLERANCED, ALL DIMENSIONS ARE CONSIDERED REFERENCE			
ISSUE/	MODIFICATION	ECO	DATE
SIGN			