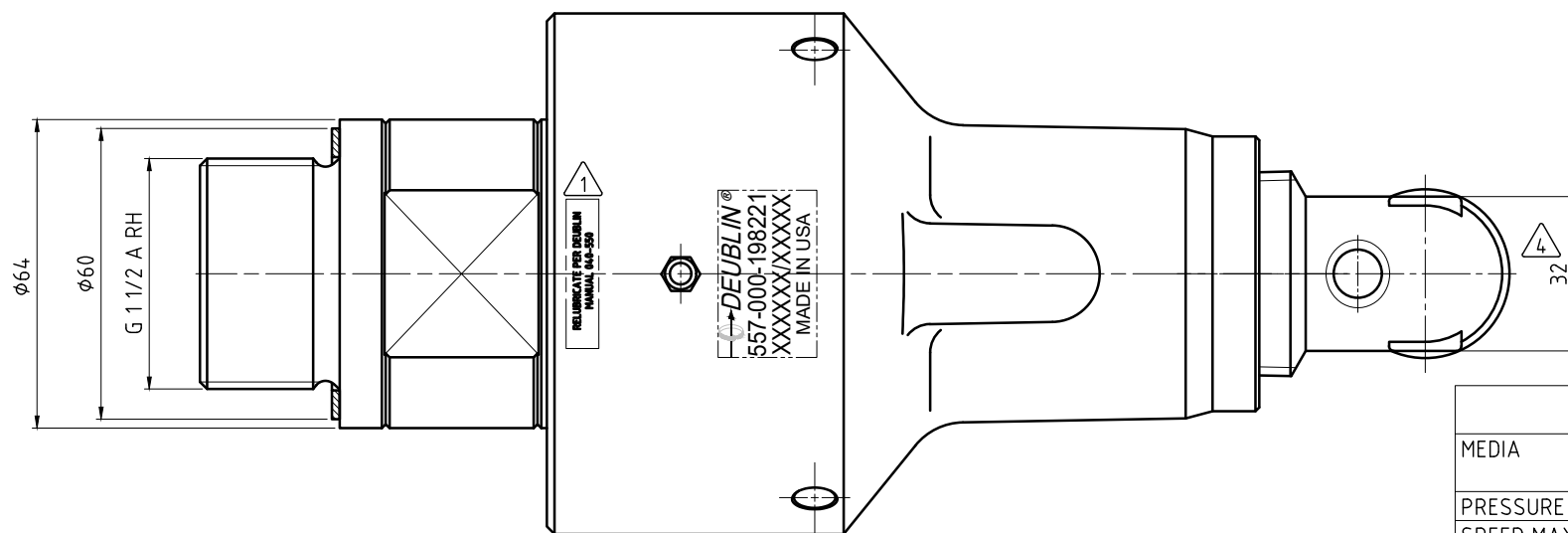
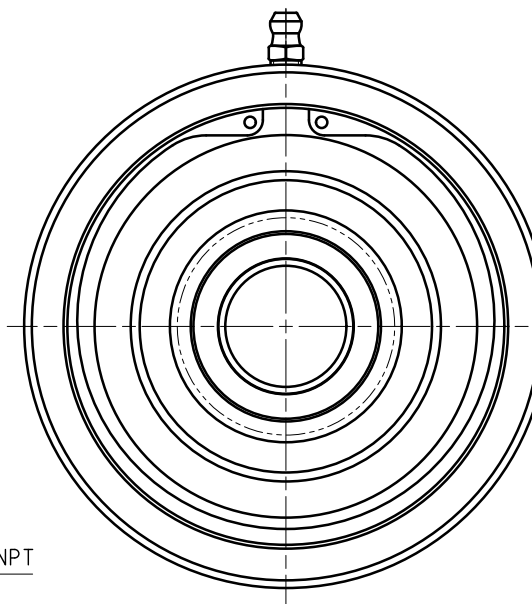
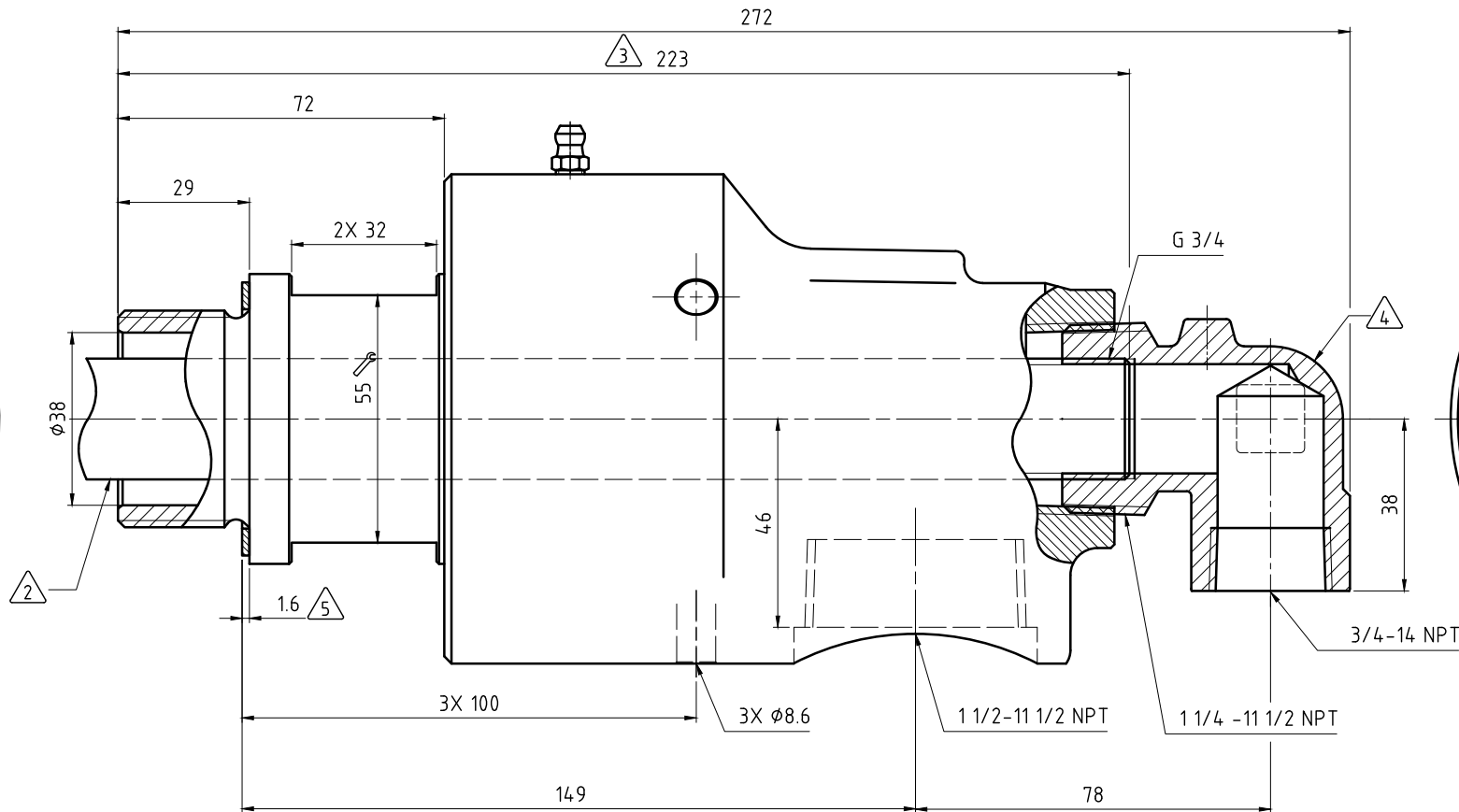
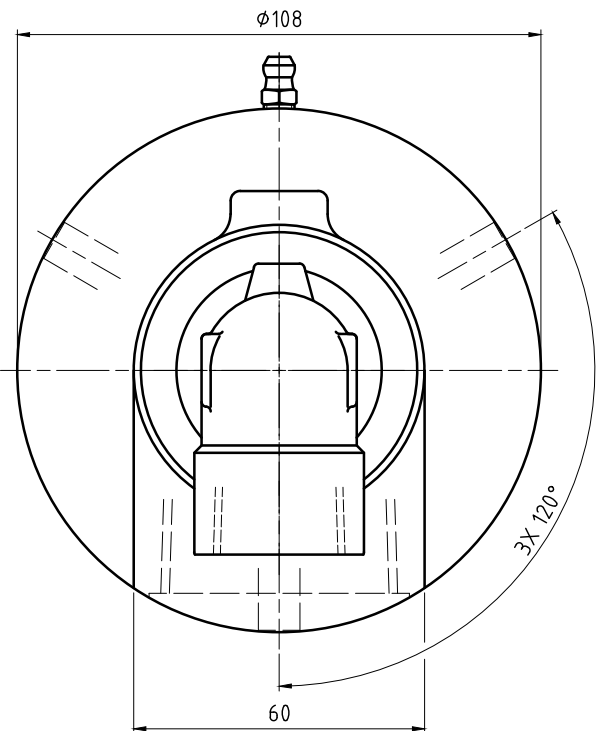


CONFIDENTIAL  
 THIS DOCUMENT CONTAINS CONFIDENTIAL AND PROPRIETARY INFORMATION OF DEUBLIN COMPANY. COPYING, USE, TRANSMISSION, DISTRIBUTION, AND DISCLOSURE ARE SUBJECT TO THE TERMS AND CONDITIONS CONTAINED IN YOUR AGREEMENT WITH DEUBLIN COMPANY. ALL RIGHTS RESERVED.

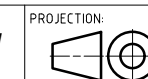
NOTES:

- 1 - CONTACT DEUBLIN OR VISIT [WWW.DEUBLIN.COM](http://WWW.DEUBLIN.COM) FOR INSTRUCTION MANUAL: 040-550.
- 2 - PIPE SUPPLIED BY CUSTOMER. PIPE SIZE: 3/4".
- 3 - PIPE LENGTH.

- 4 - FITTING TO BE ASSEMBLED HAND-TIGHT, OR MAY BE SHIPPED UNASSEMBLED.
- 5 - GASKET THICKNESS.



OPERATING DATA			
MEDIA	WATER	SATURATED STEAM (INTERMITTENT)	THERMAL OIL
PRESSURE MAX.	20 bar	1 bar	6.6 bar
SPEED MAX.	2500 min <sup>-1</sup>		
TEMPERATURE MAX.	121 °C		
DRY RUN (WITHOUT ANY MEDIA)	NO		
RECOMMENDED FILTRATION	60 micron		



PROJECTION:   
 SCALE: 1:1   
 MATERIAL: INTERFACE CONTROL DRAWING

DATE	NAME	TITLE
DRN. 03/01/11	N. Reyna	DEUBLIN DUOFLOW UNION
ENGR. 03/01/11	T. Wilson	
APPD.		

NO. 557-000-198221

ISSUE	MODIFICATION	ECO	DATE	LG	SIGN
A	REV	62496	06/22	LG	

UNLESS SPECIFICALLY TOLERANCED, ALL DIMENSIONS ARE CONSIDERED REFERENCE

SHEET A2