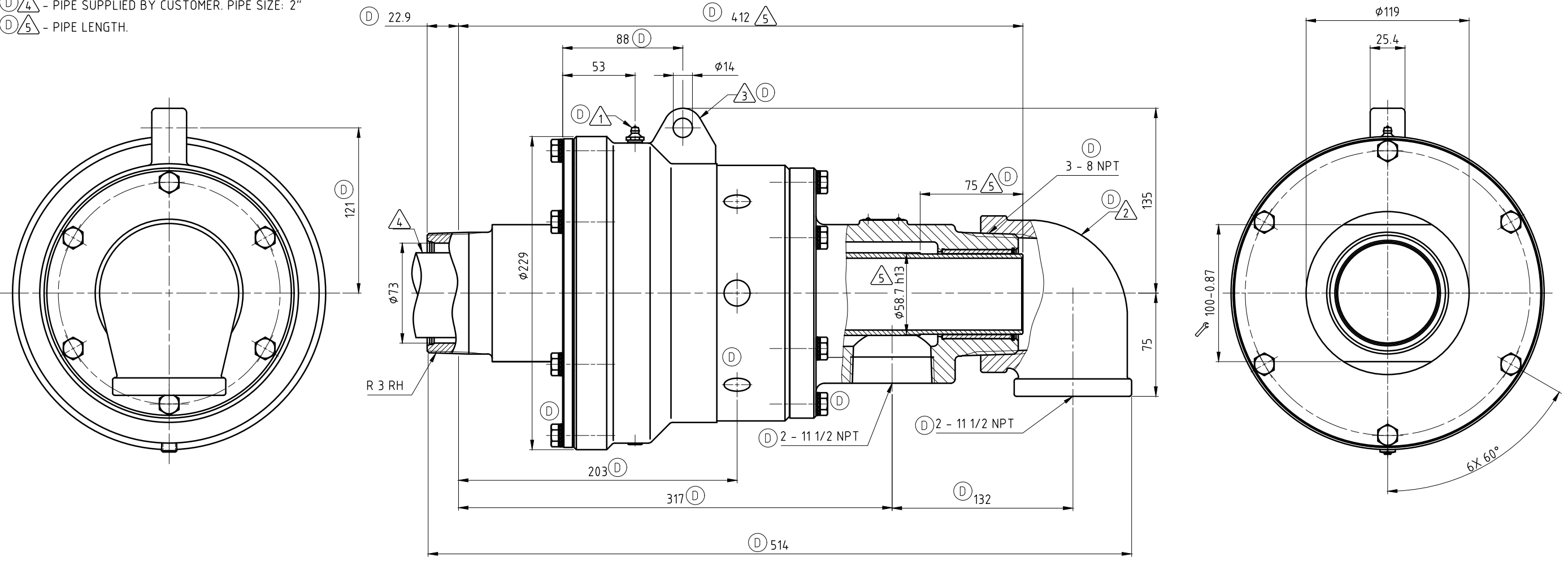


CONFIDENTIAL
 The reproduction, distribution and utilization of this document as well as the communication of its contents to others without express authorization is prohibited. Offenders will be held liable for the payment of damages. All rights reserved in the event of the grant of a patent, utility model or design.

| | | | |
|--------|-----|--------|--------|
| φ58.7 | h13 | 0.000 | 58.700 |
| Dimen. | Fit | -0.460 | 58.240 |

NOTES:

- (D) 1 - CONTACT DEUBLIN OR VISIT WWW.DEUBLIN.COM FOR INSTRUCTION MANUAL: 040-561
- (D) 2 - FITTING TO BE ASSEMBLED HAND-TIGHT.
- (D) 3 - TORQUE LUG PROVIDED FOR ANTI-ROTATION. DO NOT RESTRICT MOVEMENT OF UNION.
- (D) 4 - PIPE SUPPLIED BY CUSTOMER. PIPE SIZE: 2"
- (D) 5 - PIPE LENGTH.



| OPERATING DATA | |
|-----------------------------|-----------------------|
| MEDIA | WATER |
| PRESSURE MAX. | 10 bar |
| SPEED MAX. | 750 min ⁻¹ |
| TEMPERATURE MAX. | 121 °C |
| DRY RUN (WITHOUT ANY MEDIA) | NO |
| RECOMMENDED FILTRATION | 60 micron |
| FLOW MAX | 681 L/min |
| TORQUE | 10.9 Nm |

DEUBLIN
 HOERBIGER Rotary Solutions

PROJECTION: SCALE: 1:2
 MATERIAL: INTERFACE CONTROL DRAWING

| DATE | NAME | TITLE |
|----------------|-----------|---------------|
| DRN. 09/11/17 | HG | DEUBLIN UNION |
| ENGR. 09/11/17 | KSunitomo | |
| APPD. | | |

NO. 6300-002-554 SHEET A2

UNLESS SPECIFICALLY TOLERANCED, ALL DIMENSIONS ARE CONSIDERED REFERENCE