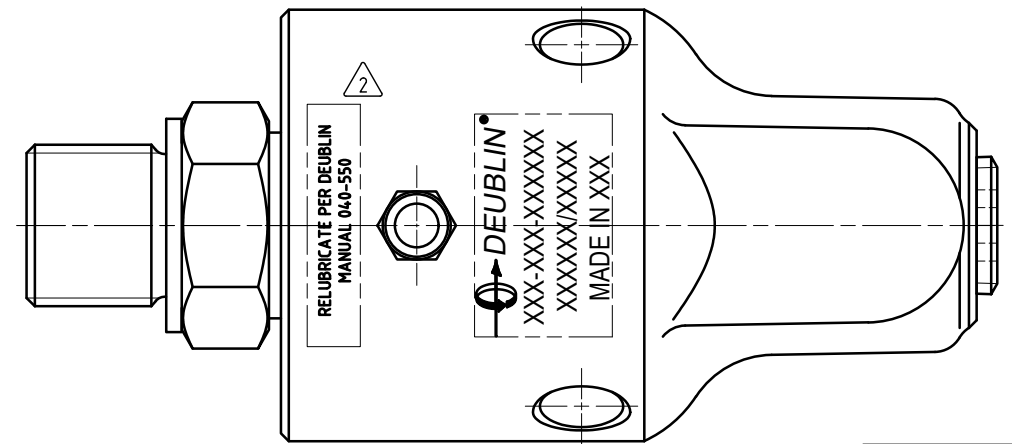
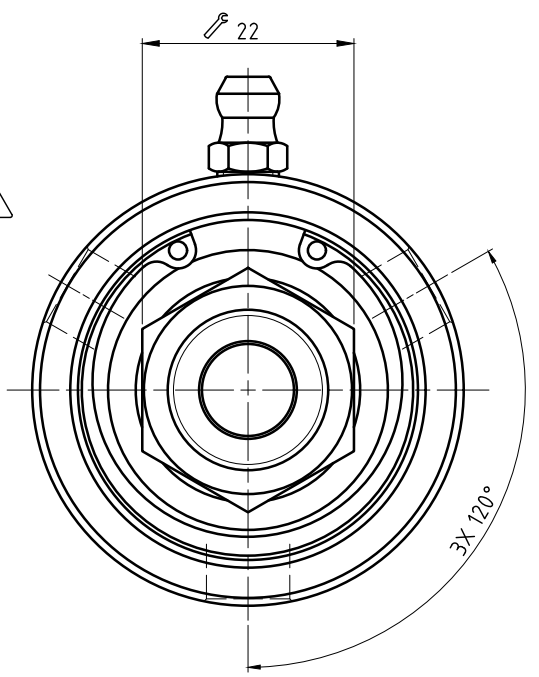
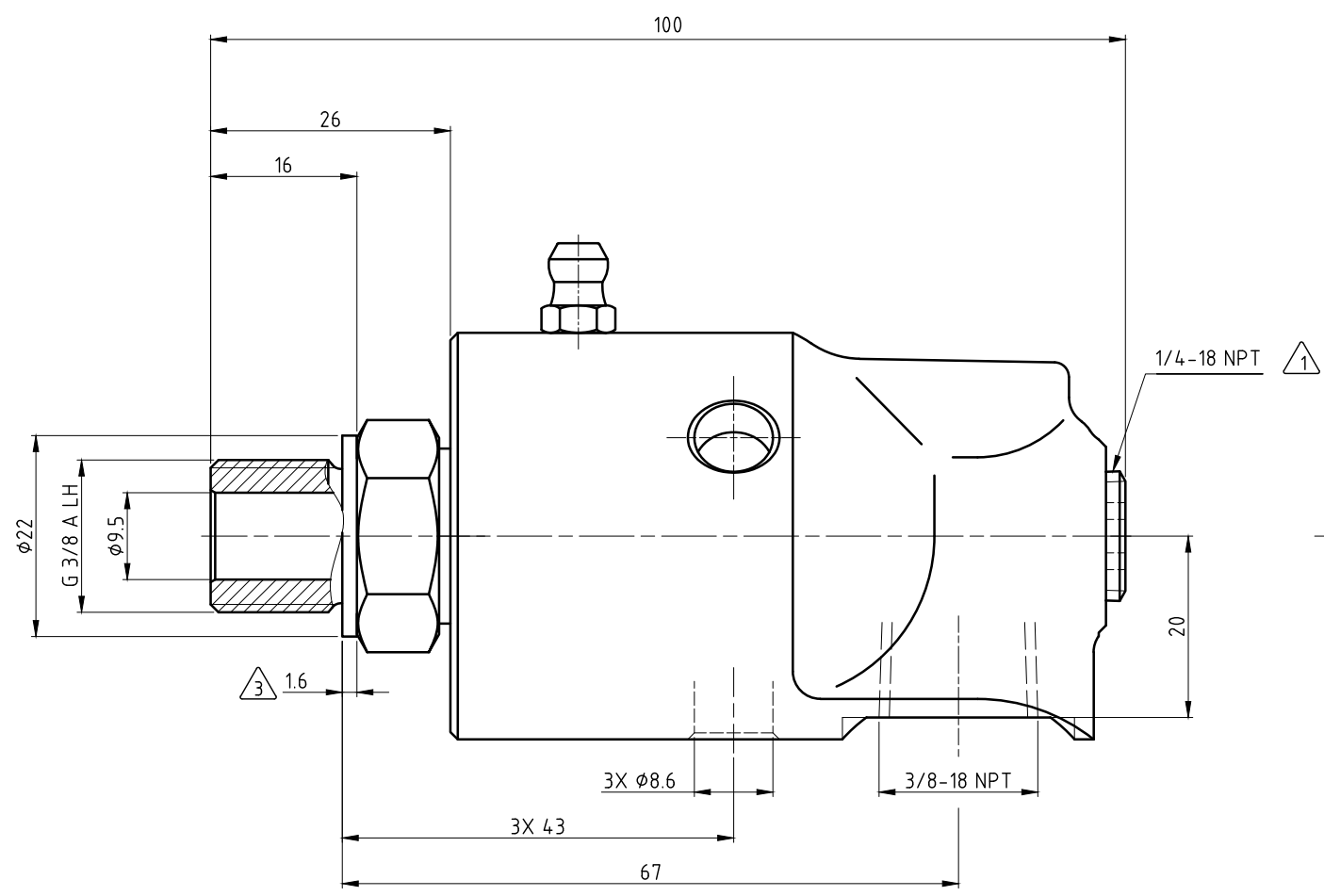
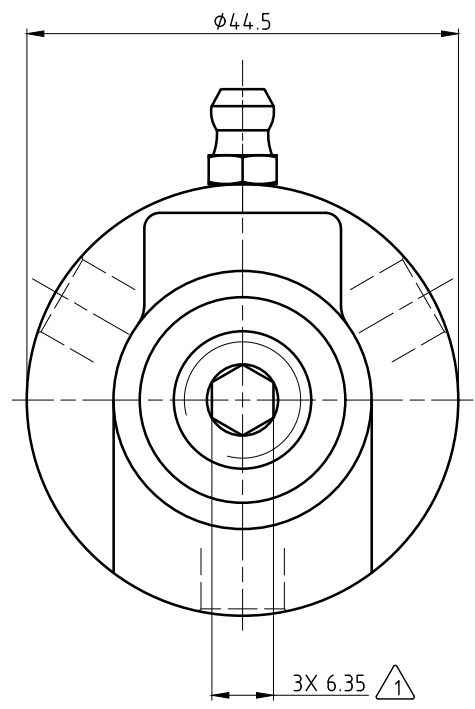


CONFIDENTIAL
 The reproduction, distribution and utilization of this document as well as the communication of its contents to others without express authorization is prohibited. Offenders will be held liable for the payment of damages. All rights reserved in the event of the grant of a patent, utility model or design.

- NOTES:
- ① - PLUG INSTALLED HAND TIGHT FROM FACTORY. IF PORT IS NOT UTILIZED, TIGHTEN BEFORE USE.
 - ② - CONTACT DEUBLIN OR VISIT WWW.DEUBLIN.COM FOR INSTRUCTION MANUAL: 040-550
 - ③ - GASKET THICKNESS.



OPERATING DATA	
MEDIA	WATER
PRESSURE MAX.	10 bar
SPEED MAX.	3500 min ⁻¹
TEMPERATURE MAX.	90 °C
DRY RUN (WITHOUT ANY MEDIA)	NO
RECOMMENDED FILTRATION	60 micron

		PROJECTION:	SCALE: 2:1
		DATE	MATERIAL: INTERFACE CONTROL DRAWING
		NAME	TITLE: DEUBLIN UNION
		DRN. 08/18/2020	NO. 57-503-095
		ENGR. 10/16/2020	
		APPD.	SHEET A2
A	RELEASE 05/23/20	DATE 08/20	UNLESS SPECIFICALLY TOLERANCED, ALL DIMENSIONS ARE CONSIDERED REFERENCE
	ISSUE/MODIFICATION	ECO	DATE
		MTS	SIGN