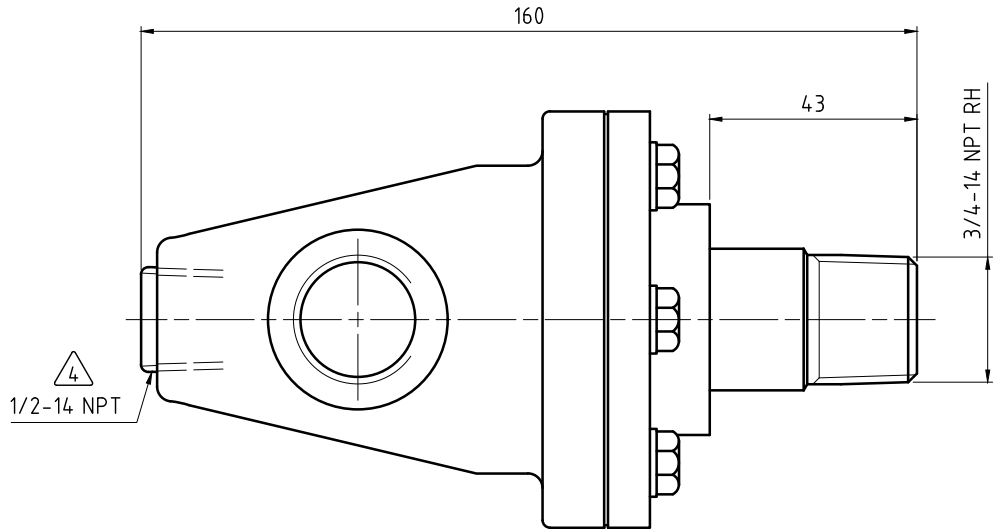
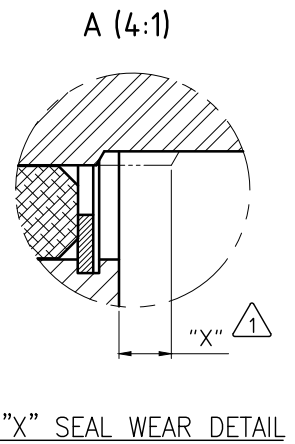
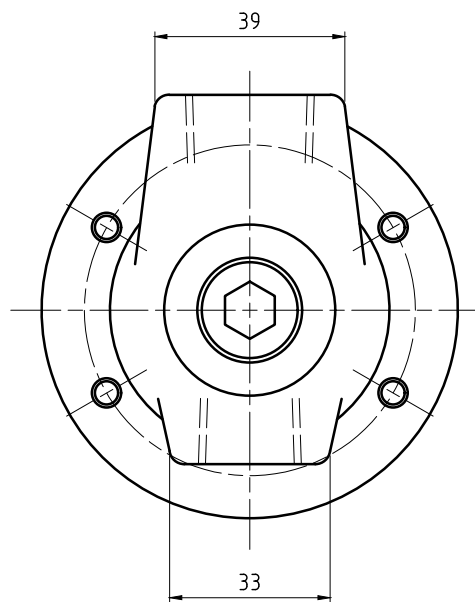
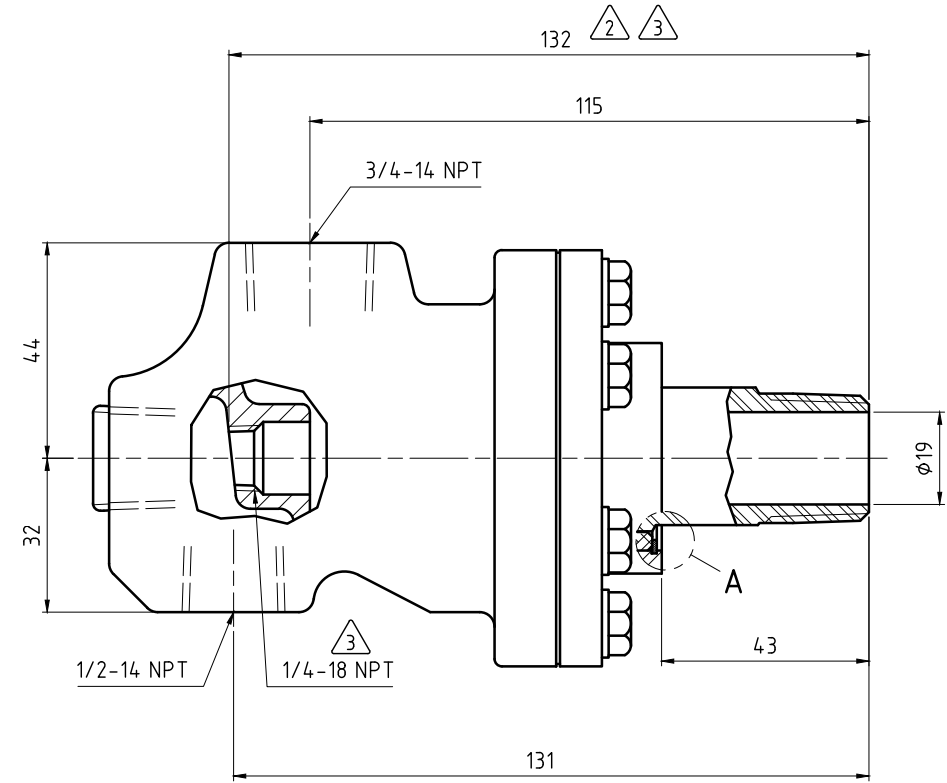
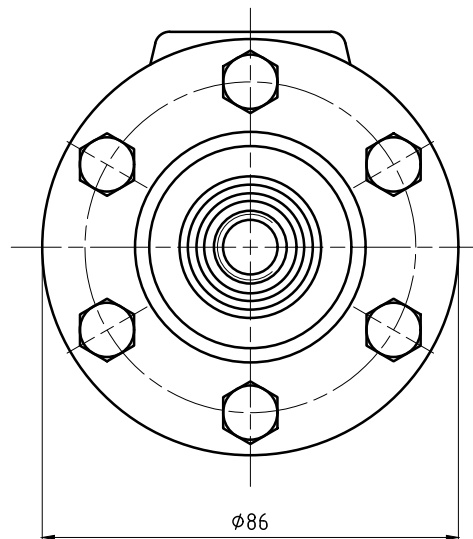


NOTES:

- ① - SEAL MUST BE REPLACED WHEN "X" DIMENSION EXCEEDS 6.3 mm. CONTACT DEUBLIN FOR APPROPRIATE SERVICE KIT.
- ② - PIPE LENGTH.
- ③ - PIPE SUPPLIED BY CUSTOMER.
- ④ - PLUG INSTALLED HAND TIGHT FROM FACTORY. IF PORT IS NOT UTILIZED, TIGHTEN BEFORE USE.



OPERATING DATA		
MEDIA		STEAM
PRESSURE	MAXIMUM	17.2 bar
TEMPERATURE	MAXIMUM	208 °C
SPEED	MAXIMUM	400 min ⁻¹
DRY RUN		NO

		PROJECTION: 	SCALE: 1:1 MATERIAL: INTERFACE CONTROL DRAWING
DATE: 06/19/15 NAME: N. Reyna ENGR. 06/19/15 T. Wilson APPD.		TITLE: DEUBLIN UNION	
NO. BC-54000-12-50			SHEET A2
ISSUE	MODIFICATION	ECO	DATE
			SIGN

UNLESS SPECIFICALLY TOLERANCED, ALL DIMENSIONS ARE CONSIDERED REFERENCE