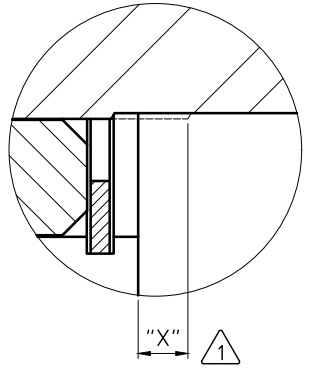
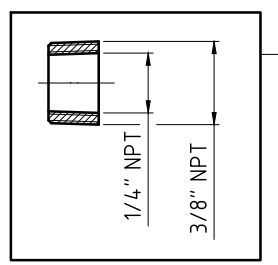
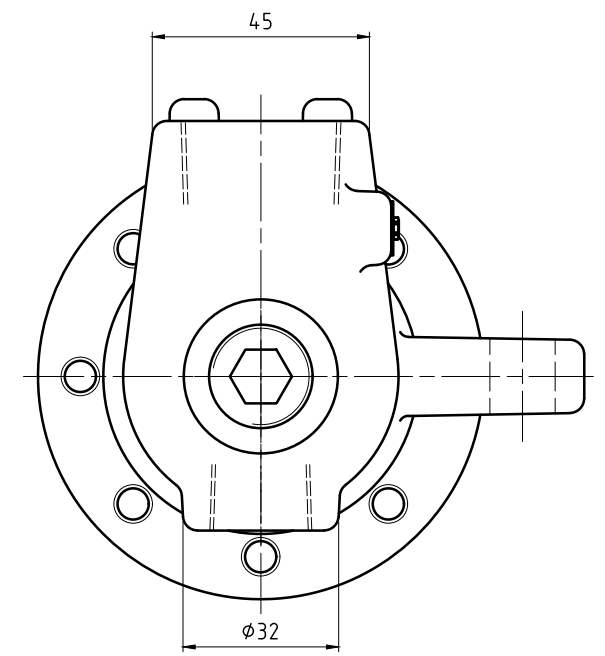
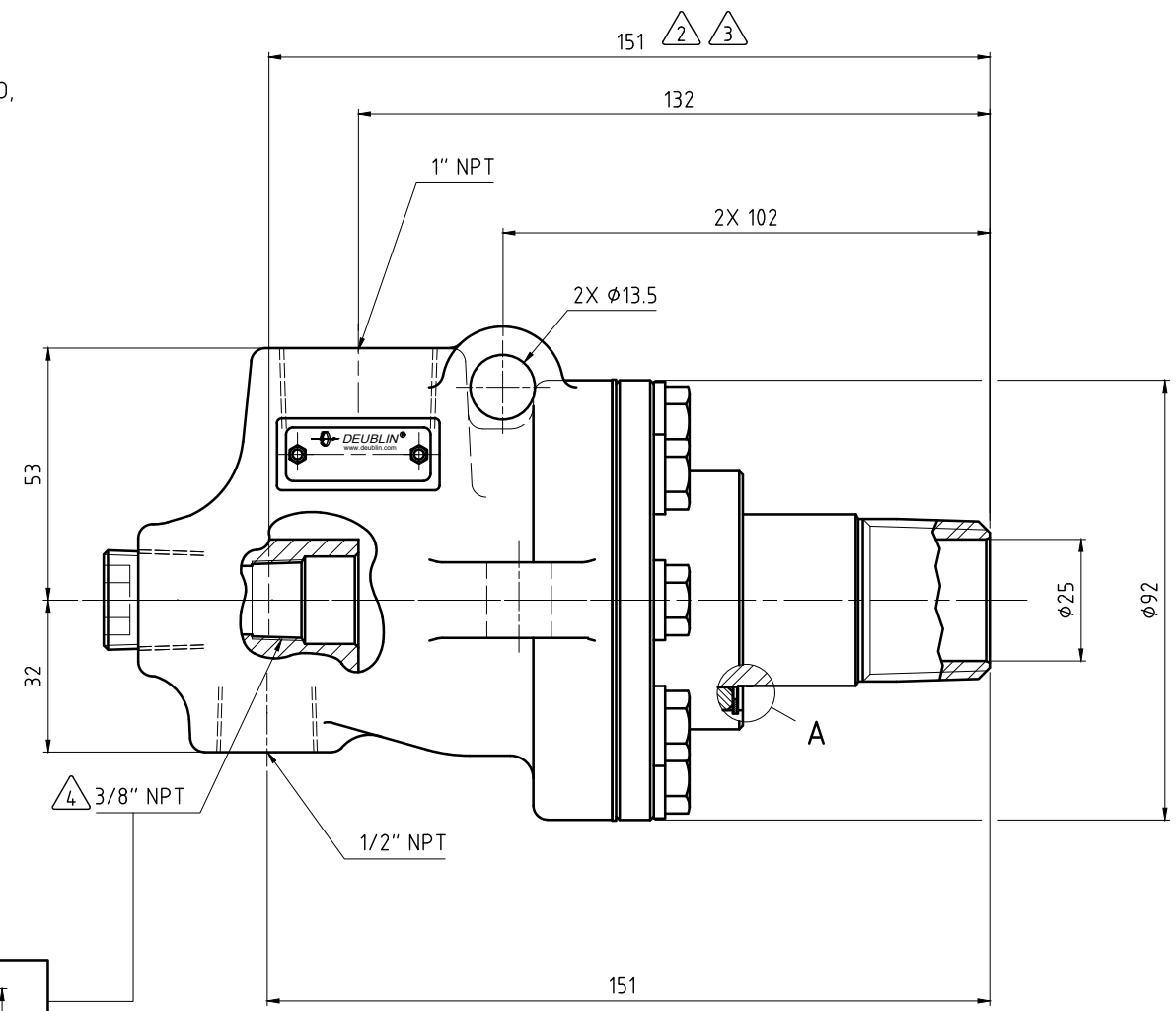
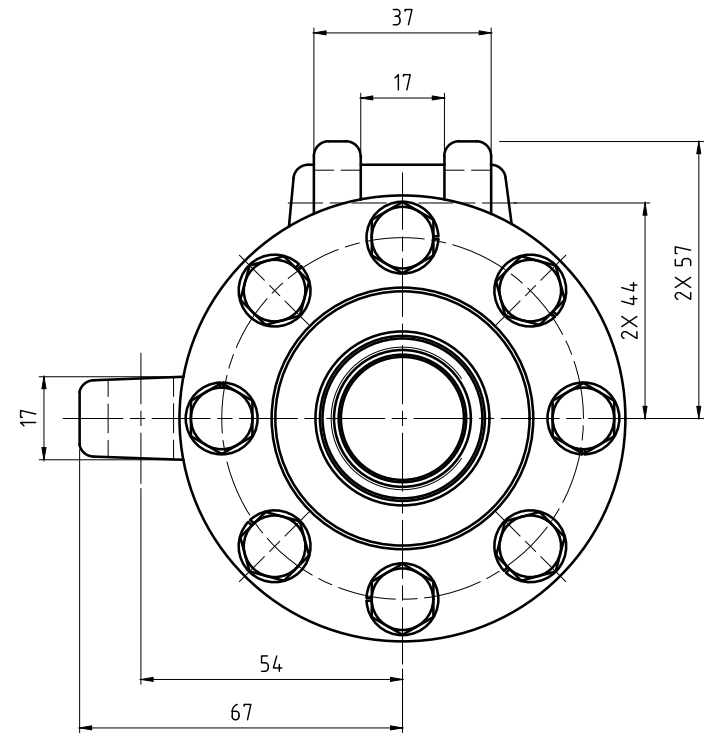


NOTES:

- 1 - SEAL MUST BE REPLACED WHEN "X" DIMENSION EXCEEDS 6.3 mm. CONTACT DEUBLIN FOR APPROPRIATE SERVICE KIT.
- 2 - PIPE LENGTH INTO UNION.
- 3 - PIPE SUPPLIED BY CUSTOMER.
- 4 - OPTIONAL SIPHON INSERT INCLUDED.
- 5 - PLUG INSTALLED HAND TIGHT FROM FACTORY. IF PORT IS NOT UTILIZED, TIGHTEN BEFORE USE.



SEAL WEAR DETAIL
A (5:1)

OPERATING DATA			
MEDIA		STEAM	
PRESSURE	MAXIMUM	17.2 bar	
TEMPERATURE	MAXIMUM	208 °C	
SPEED	MAXIMUM	400 min ⁻¹	
DRY RUN		NO	

PROJECTION:	SCALE: 1:1
DATE	NAME
DRN. 08/30/2013	lgalindo
ENGR. 03/17/2014	L. Freed
APPD.	

MATERIAL:	TITLE:
INTERFACE CONTROL DRAWING	UNION TYPE C FIXED SIPHON NPT PORTS 1" NPT RH ROTOR
NO.	SHEET
BC-54000-16-50	A2

ISSUE	MODIFICATION	ECO	DATE	SIGN

UNLESS SPECIFICALLY TOLERANCED, ALL DIMENSIONS ARE CONSIDERED REFERENCE