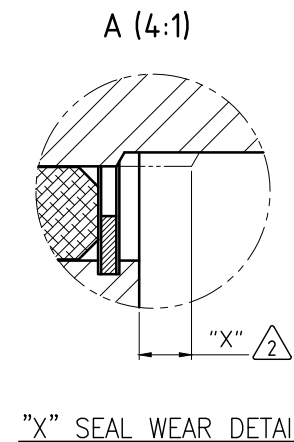
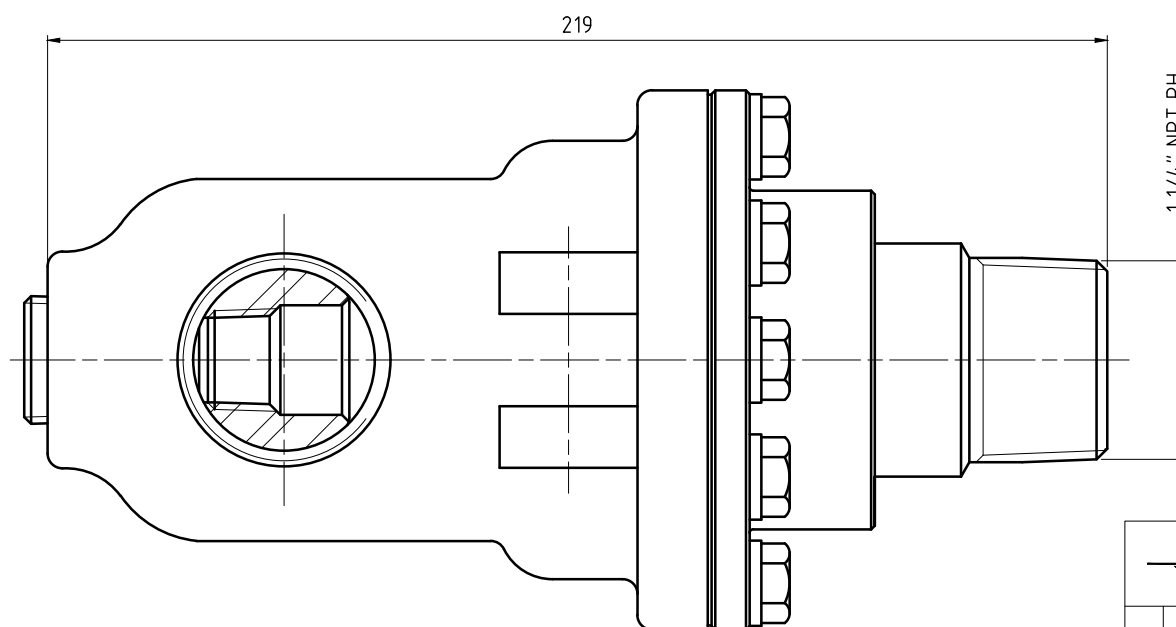
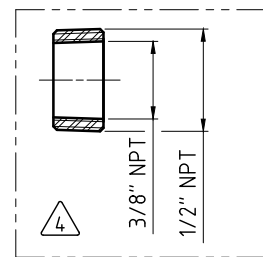
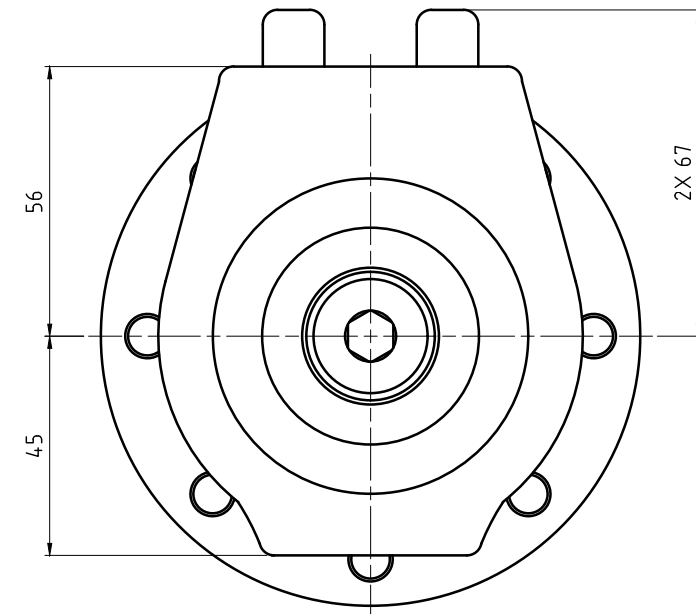
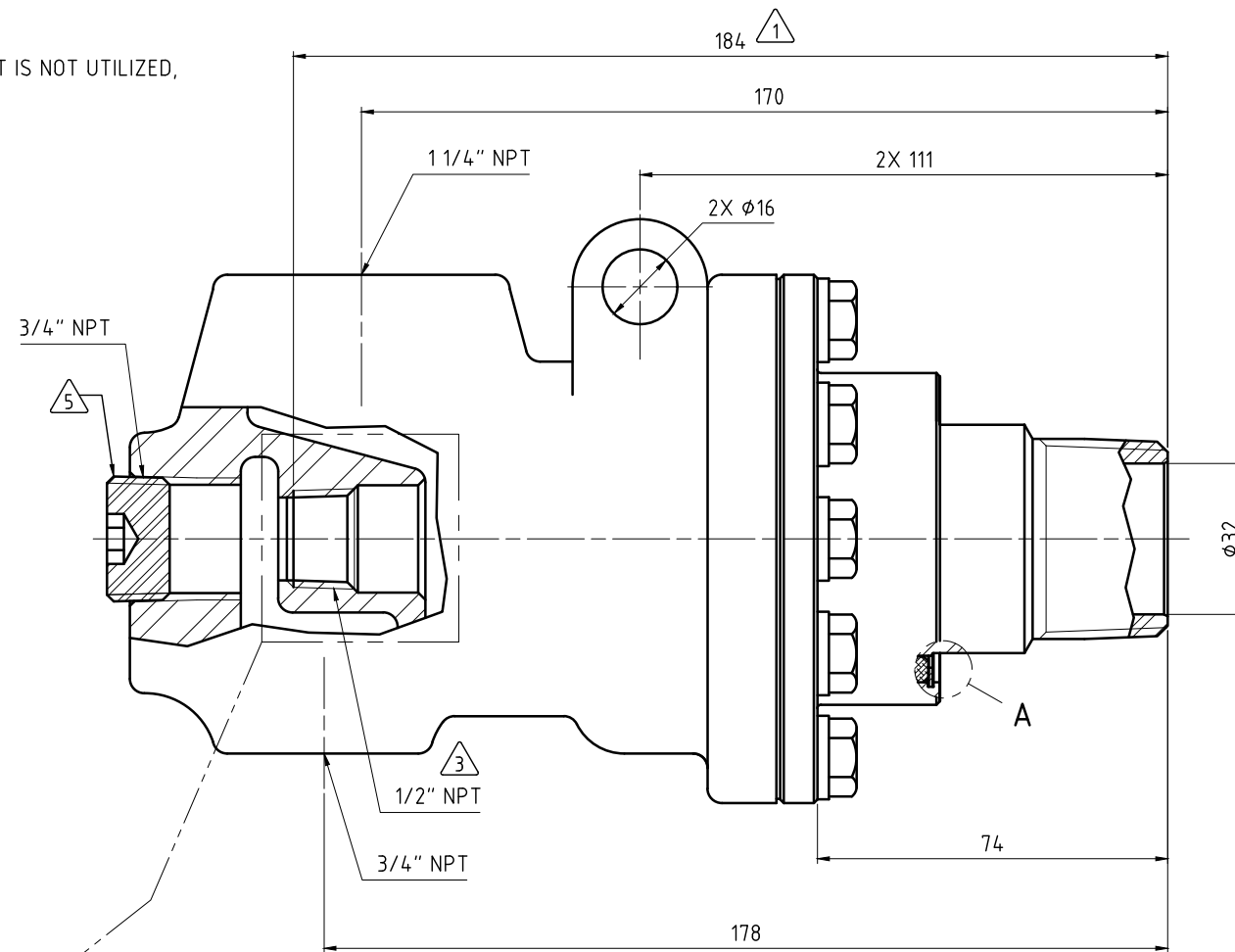
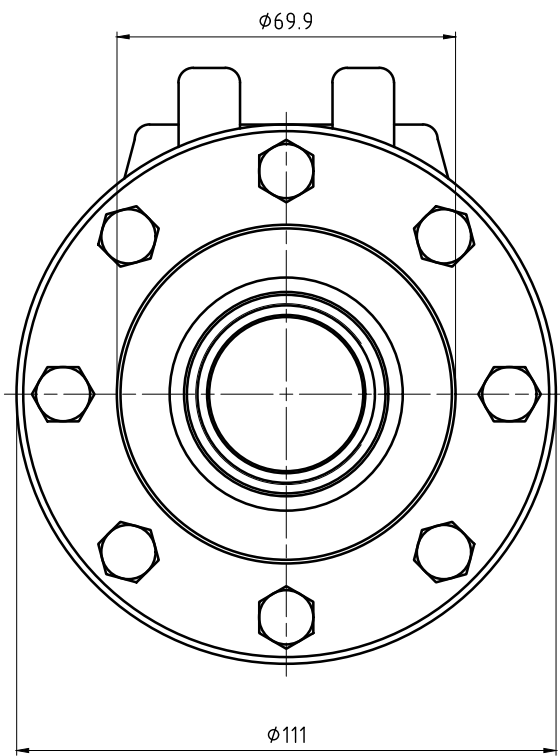


NOTES:

- ① - PIPE LENGTH.
- ② - SEAL MUST BE REPLACED WHEN "X" DIMENSION EXCEEDS 6.3 mm. CONTACT DEUBLIN FOR APPROPRIATE SERVICE KIT.
- ③ - OPTIONAL SIPHON INSERT INCLUDED.
- ④ - PIPE SUPPLIED BY CUSTOMER.
- ⑤ - PLUG INSTALLED HAND TIGHT FROM FACTORY. IF PORT IS NOT UTILIZED, TIGHTEN BEFORE USE.



		PROJECTION:		SCALE: 1:1
		MATERIAL: INTERFACE CONTROL DRAWING		TITLE: DEUBLIN UNION
DRN.	12/04/13	N. Reyna	NO. BC-54000-20-20	
ENGR.	12/04/13	L. Freed	SHEET A2	
APPD.				
ISSUE	MODIFICATION	ECO	DATE	SIGN