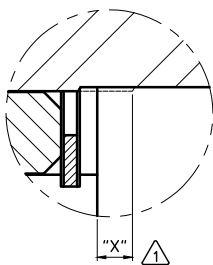
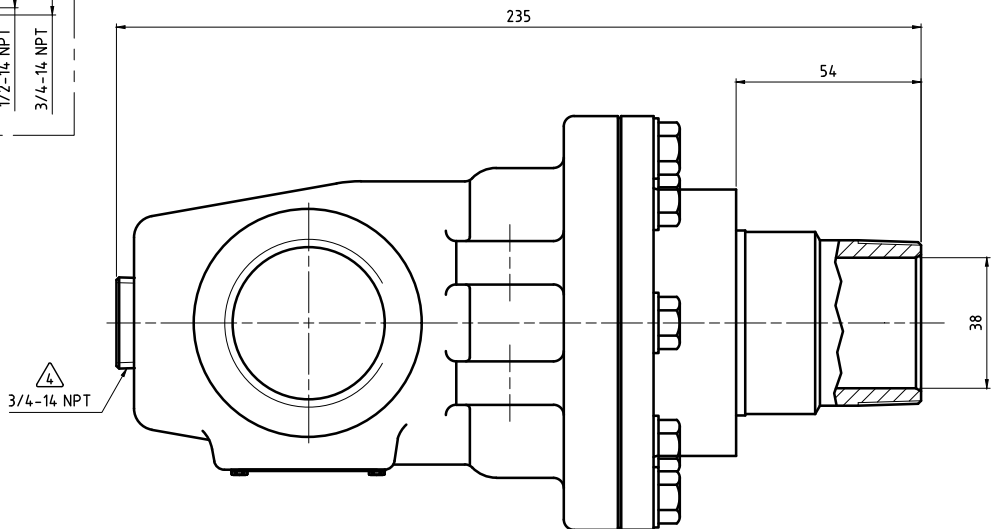
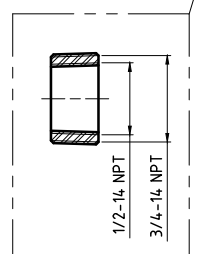
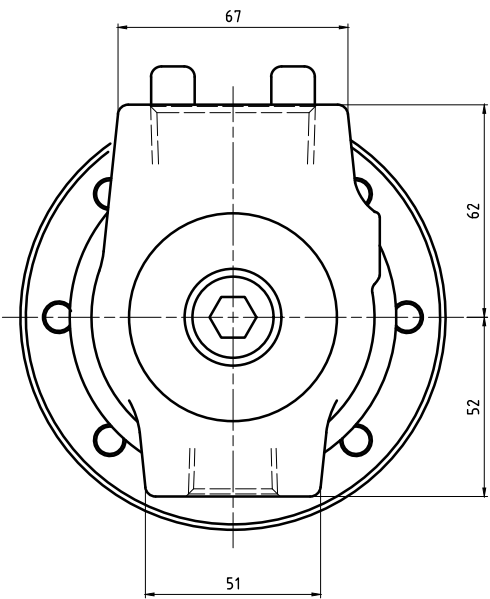
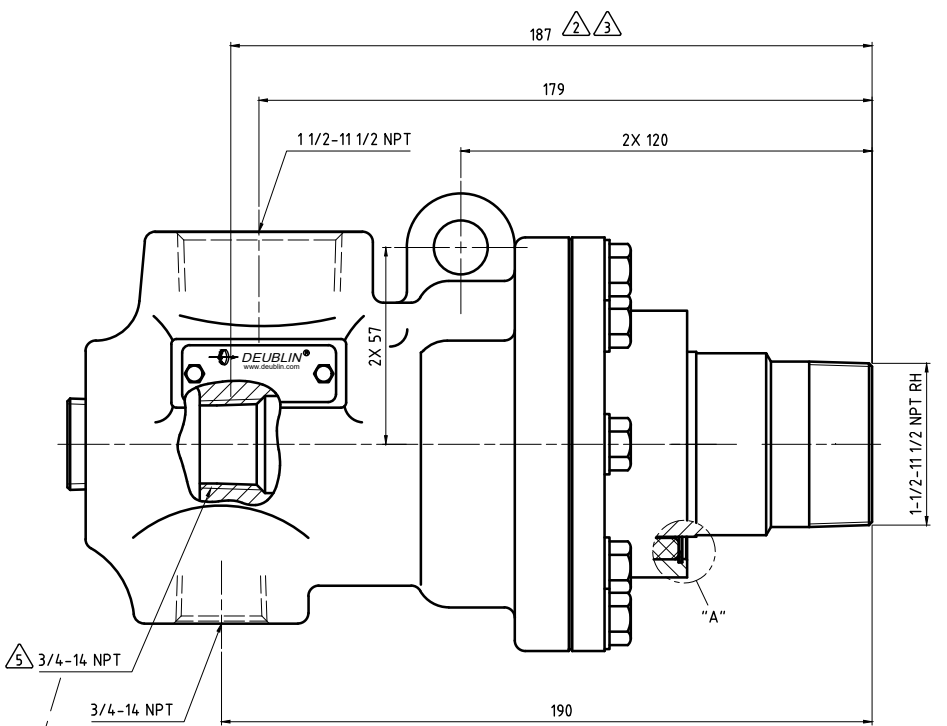
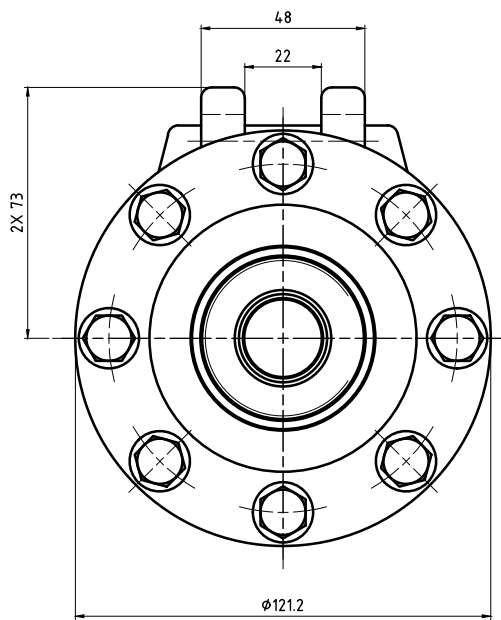


- NOTES:
- 1 - SEAL MUST BE REPLACED WHEN "X" DIMENSION EXCEEDS 6.3 mm. CONTACT DEUBLIN FOR APPROPRIATE SERVICE KIT.
  - 2 - PIPE LENGTH INTO UNION.
  - 3 - PIPE SUPPLIED BY CUSTOMER.
  - 4 - PLUG INSTALLED HAND TIGHT FROM FACTORY. IF PORT IS NOT UTILIZED, TIGHTEN BEFORE USE.
  - 5 - OPTIONAL SIPHON INSERT INCLUDED.



SEAL WEAR DETAIL  
 A (5:1)

OPERATING DATA		
MEDIA		WATER/STEAM
PRESSURE WATER	MAXIMUM	20.6 bar
PRESSURE STEAM	MAXIMUM	8.6 bar
TEMPERATURE	MAXIMUM	178° C
SPEED	MAXIMUM	400 min <sup>-1</sup>
DRY RUN		NO

	PROJECTION:	SCALE: 1:1
		MATERIAL: INTERFACE CONTROL DRAWING
DRN: 09/26/18 N. Reyna ENGR: 09/26/18 T. Wilson APPD:	DATE:	TITLE: DEUBLIN UNION
UNLESS SPECIFICALLY TOLERANCED, ALL DIMENSIONS ARE CONSIDERED REFERENCE	NO. BC-54065-24-50	SHEET A2