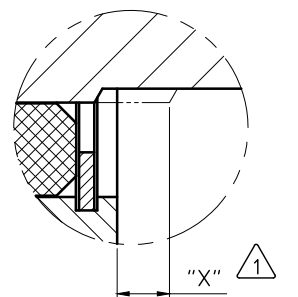
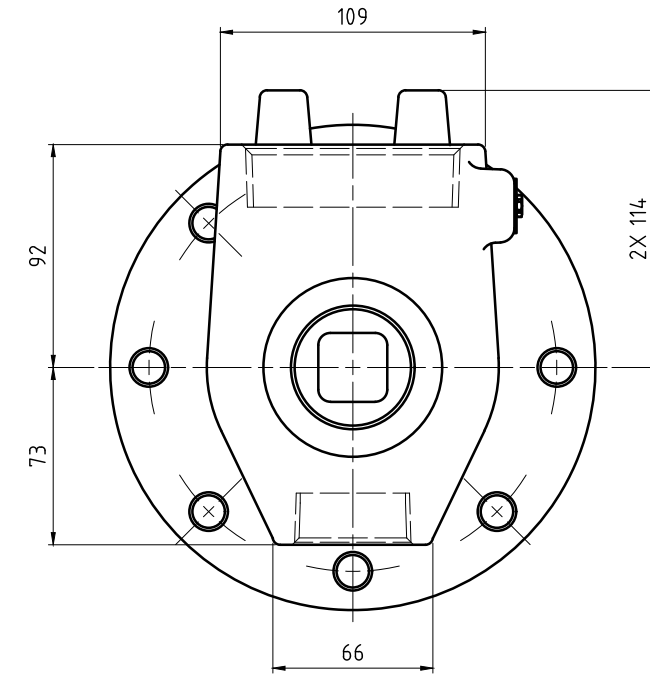
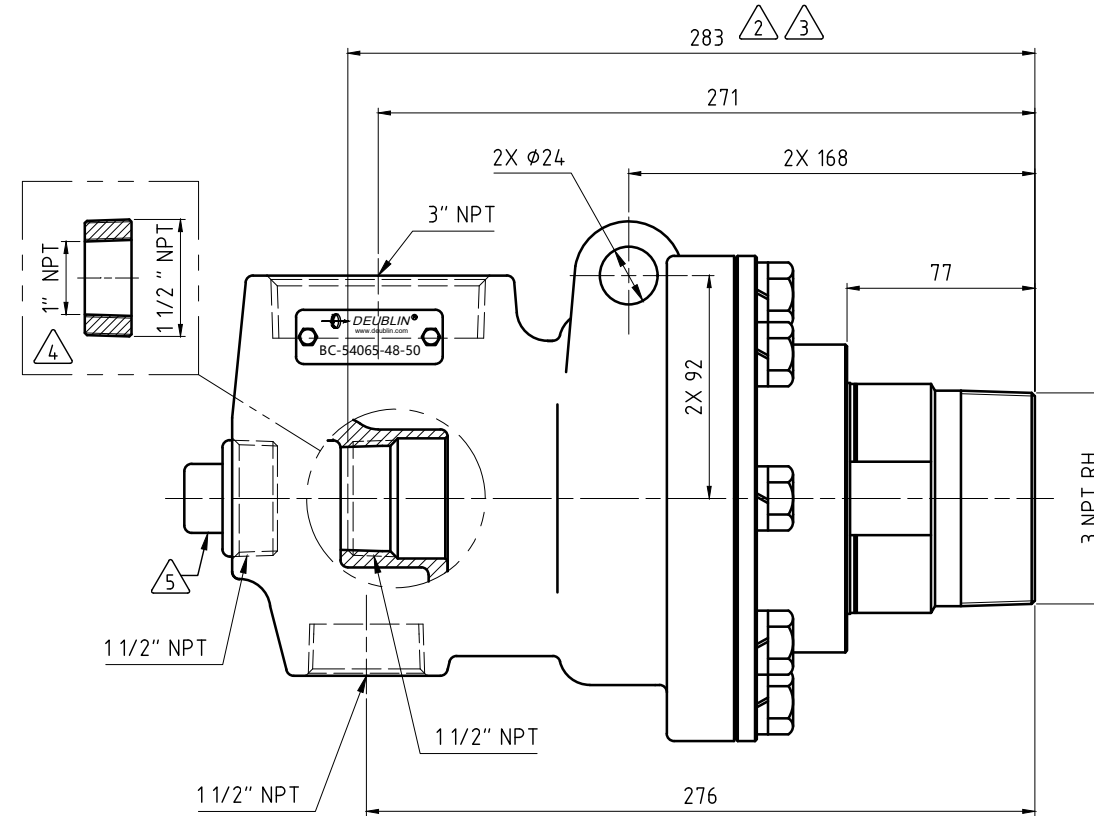
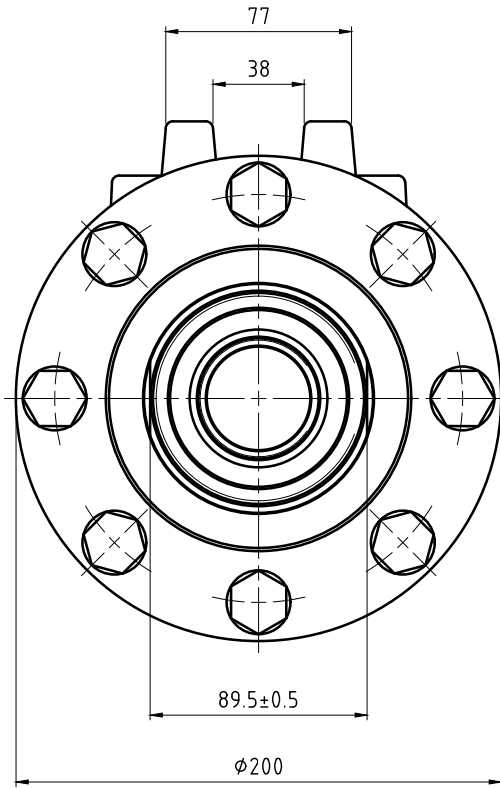


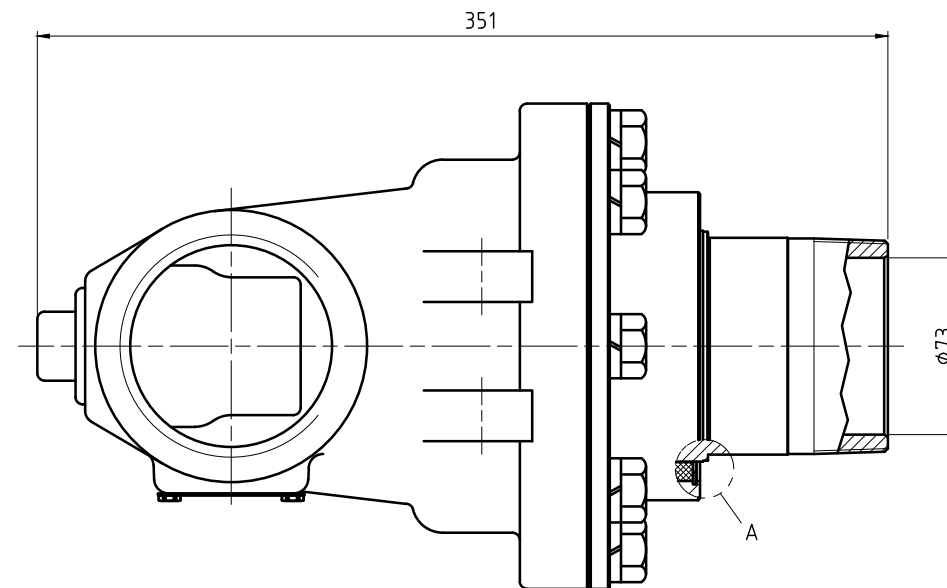
CONFIDENTIAL
 THIS DOCUMENT CONTAINS CONFIDENTIAL AND PROPRIETARY
 INFORMATION OF DEUBLIN COMPANY. COPYING, USE,
 TRANSMISSION, DISTRIBUTION, AND DISCLOSURE ARE SUBJECT
 TO THE TERMS AND CONDITIONS CONTAINED IN YOUR
 AGREEMENT WITH DEUBLIN COMPANY. ALL RIGHTS RESERVED.

NOTES:

- ① - SEAL MUST BE REPLACED WHEN "X" DIMENSION EXCEEDS 6.4 mm. CONTACT DEUBLIN FOR APPROPRIATE SERVICE KIT.
- ② - PIPE LENGTH INTO UNION.
- ③ - PIPE SUPPLIED BY CUSTOMER.
- ④ - OPTIONAL SIPHON INSERT INCLUDED.
- ⑤ - PLUG INSTALLED HAND TIGHT FROM FACTORY. IF PORT IS NOT UTILIZED, TIGHTEN BEFORE USE.



"X" SEAL WEAR DETAIL



OPERATING DATA			
MEDIA		WATER	STEAM
PRESSURE	MAXIMUM	13.8 bar	8.6 bar
TEMPERATURE	MAXIMUM	178 °C	178 °C
SPEED	MAXIMUM	200 min ⁻¹	200 min ⁻¹
DRY RUN		NO	

		PROJECTION: 	SCALE: 1:2 MATERIAL: INTERFACE CONTROL DRAWING
DRN. 10/16/19 N. Reyna ENGR. 10/16/19 L. Freed APPD.		DATE NAME	TITLE: UNION TYPE 3 FIXED SIPHON BRONZE TRIM NPT PORTS 3 NPT RH RTR
UNLESS SPECIFICALLY TOLERANCED, ALL DIMENSIONS ARE CONSIDERED REFERENCE		NO. BC-54065-48-50	SHEET A2
ISSUE	MODIFICATION	ECO	DATE
			SIGN