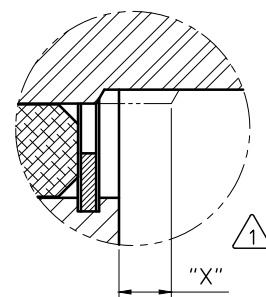
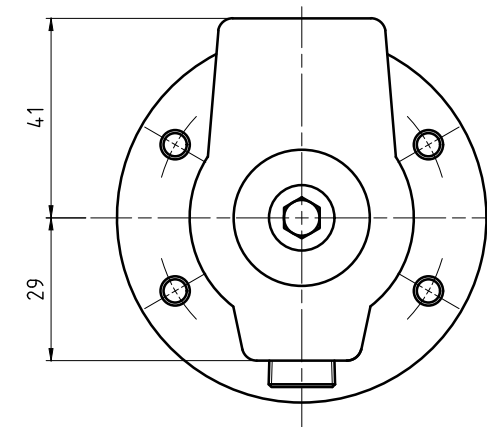
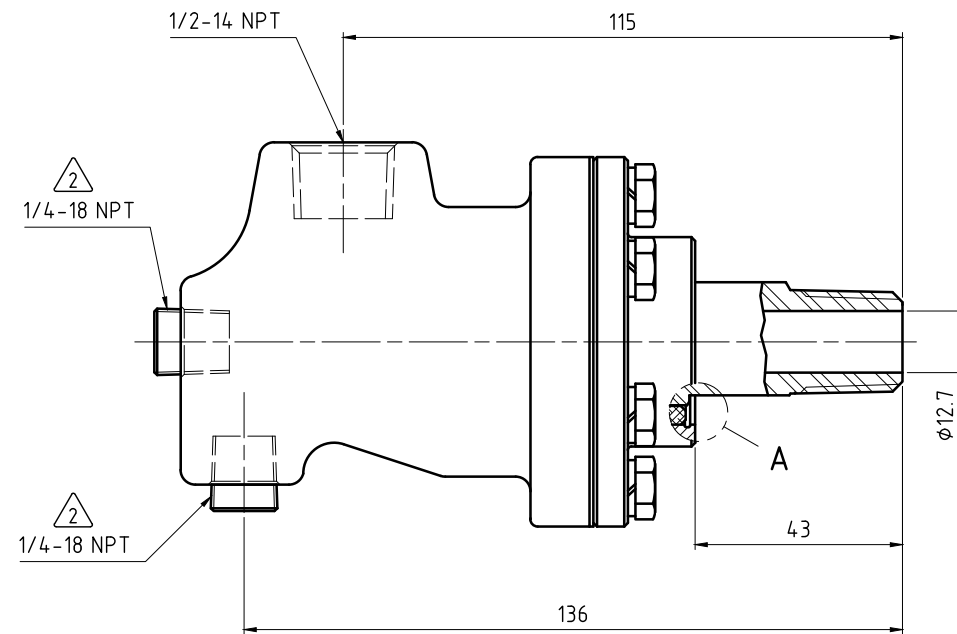
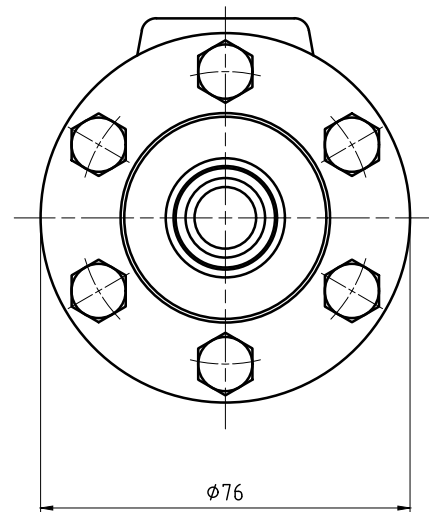


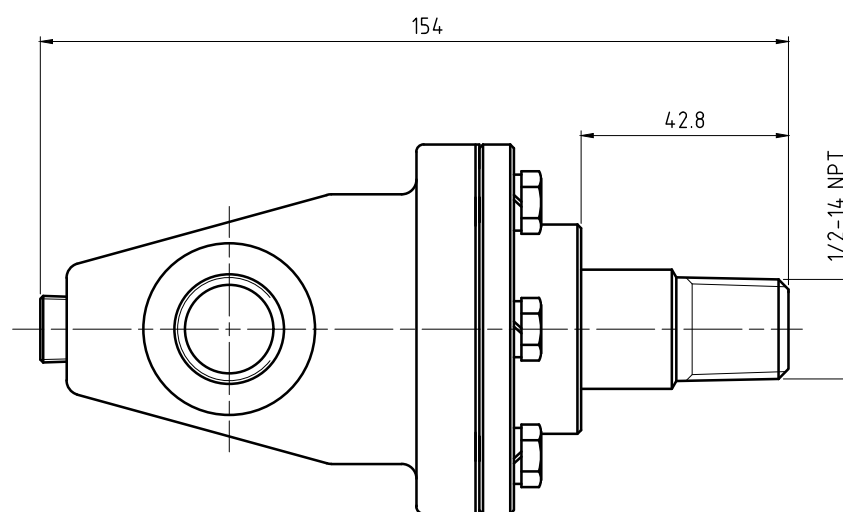
NOTES:

- ① - SEAL MUST BE REPLACED WHEN "X" DIMENSION EXCEEDS 6.3 mm. CONTACT DEUBLIN FOR APPROPRIATE SERVICE KIT.
- ② - PLUG INSTALLED HAND TIGHT FROM FACTORY. IF PORT IS NOT UTILIZED, TIGHTEN BEFORE USE.



"X" SEAL WEAR DETAIL

A (4:1)



OPERATING DATA		
MEDIA		STEAM
PRESSURE	MAXIMUM	17.2 bar
TEMPERATURE	MAXIMUM	208 °C
SPEED	MAXIMUM	400 min ⁻¹
DRY RUN		NO



PROJECTION: 1:1
 MATERIAL: INTERFACE CONTROL DRAWING

DATE	NAME	TITLE
DRN. 08/11/15	N. Reyna	DEUBLIN UNION
ENGR. 08/11/15	T. Wilson	
APPD.		

NO. BC-54100-08-50

SHEET A2

UNLESS SPECIFICALLY TOLERANCED, ALL DIMENSIONS ARE CONSIDERED REFERENCE