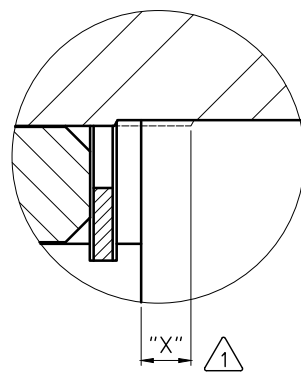
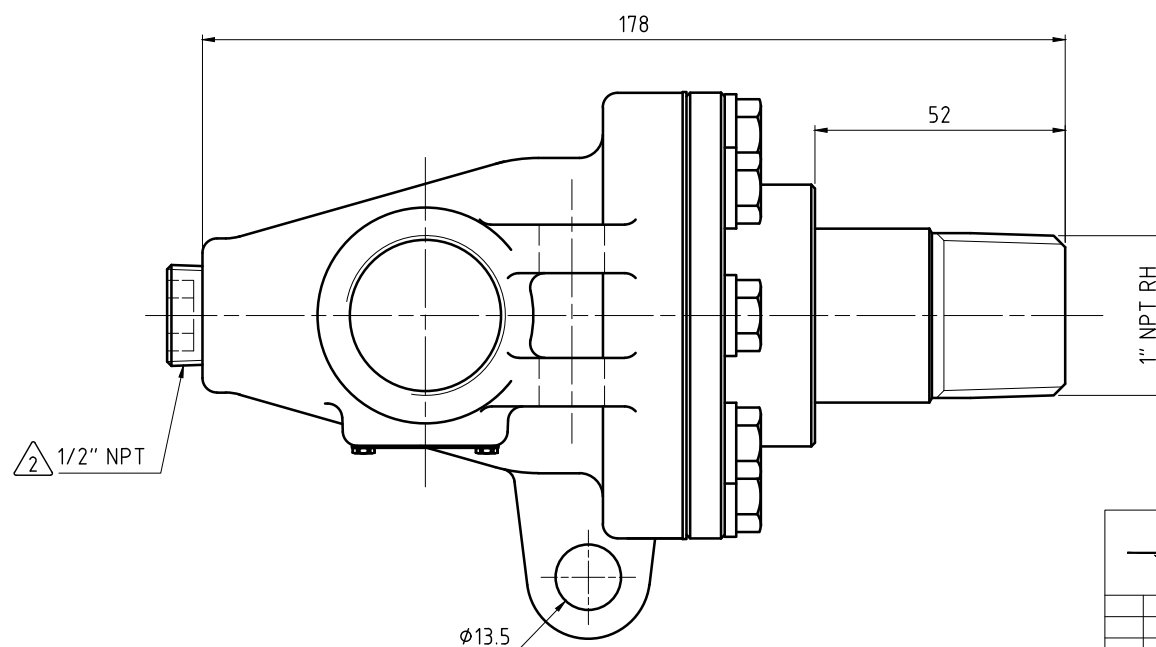
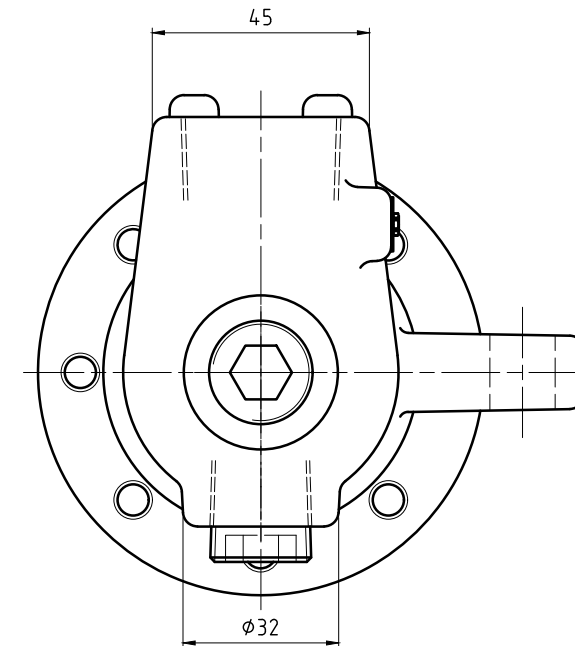
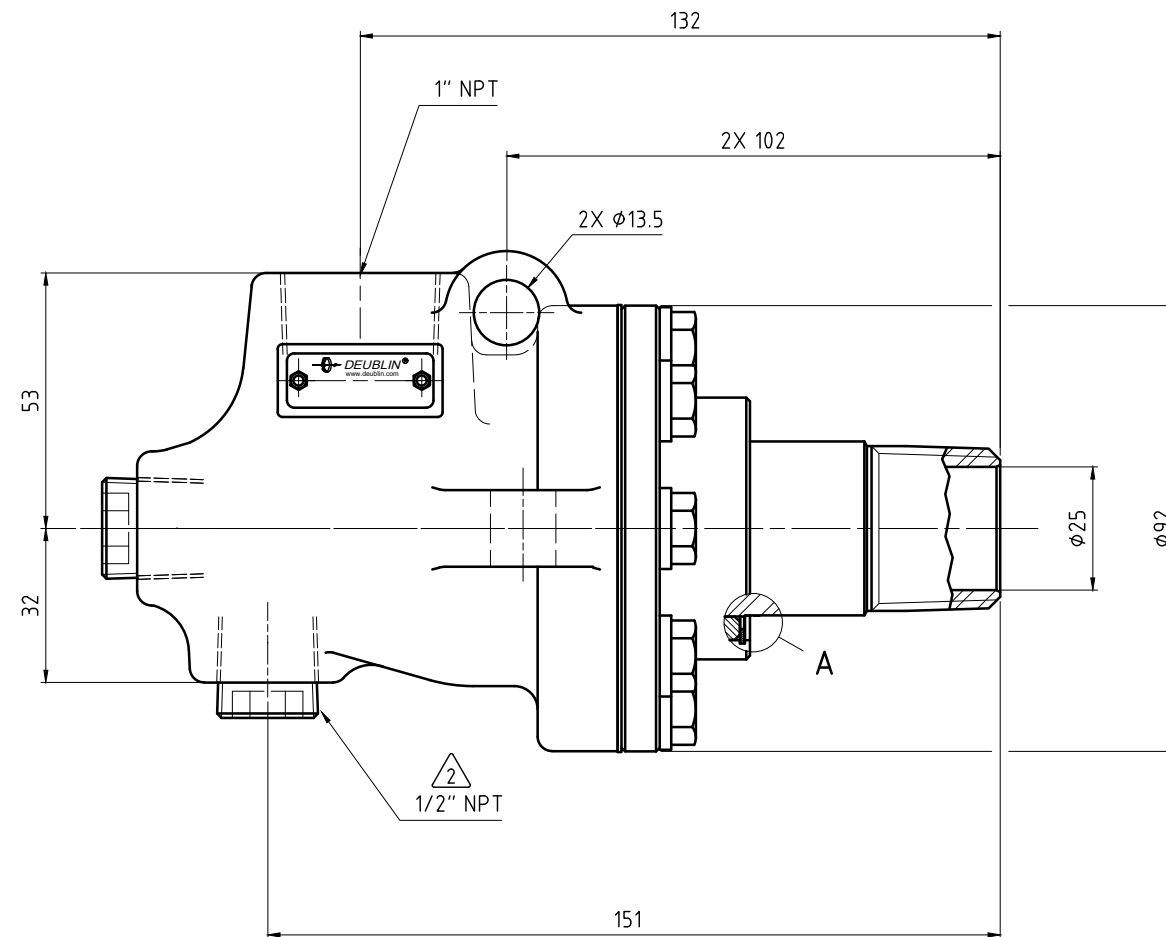
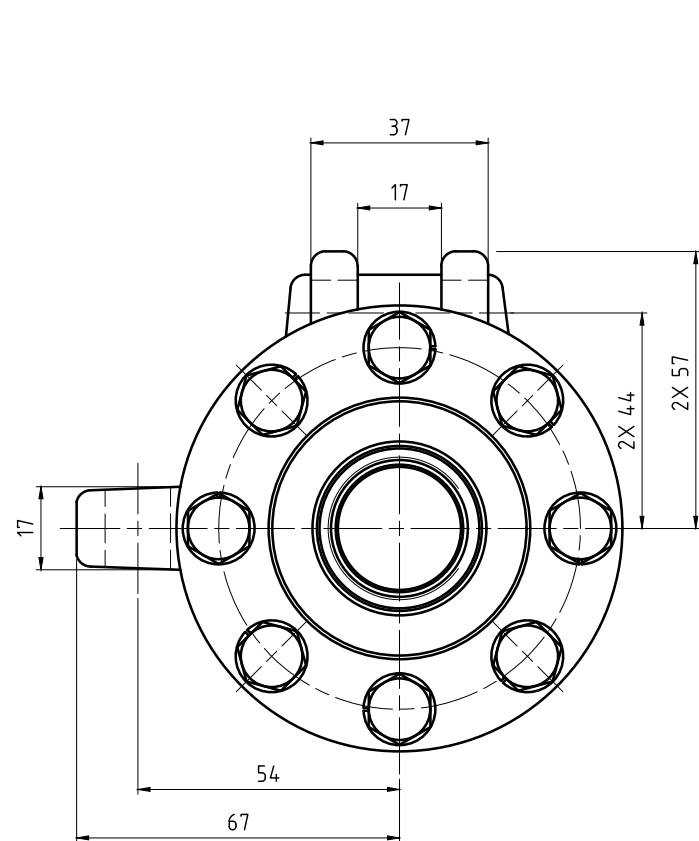


NOTES:

- ① - SEAL MUST BE REPLACED WHEN "X" DIMENSION EXCEEDS 6.3 mm. CONTACT DEUBLIN FOR APPROPRIATE SERVICE KIT.
- ② - PLUG INSTALLED HAND TIGHT FROM FACTORY. IF PORT IS NOT UTILIZED, TIGHTEN BEFORE USE.



SEAL WEAR DETAIL

A (5:1)

OPERATING DATA			
MEDIA		WATER	STEAM
PRESSURE	MAXIMUM	13.8 bar	8.6 bar
TEMPERATURE	MAXIMUM	178 °C	178 °C
SPEED	MAXIMUM	200 min <sup>-1</sup>	200 min <sup>-1</sup>
DRY RUN			NO



PROJECTION: 1:1

MATERIAL: INTERFACE CONTROL DRAWING

DATE	NAME
DRN. 04/02/2014	lgalindo
ENGR. 05/19/2014	LFreed
APPD.	

TITLE: UNION TYPE C MONOFLOW BRONZE TRIM  
 NPT PORTS 1" NPT RH ROTOR

NO. BC-54165-16-50

SHEET A2

UNLESS SPECIFICALLY TOLERANCED, ALL DIMENSIONS ARE CONSIDERED REFERENCE

ISSUE MODIFICATION ECO DATE SIGN