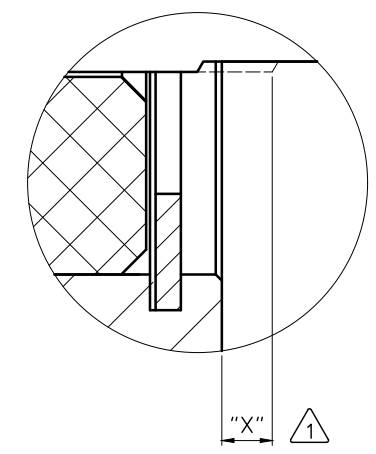
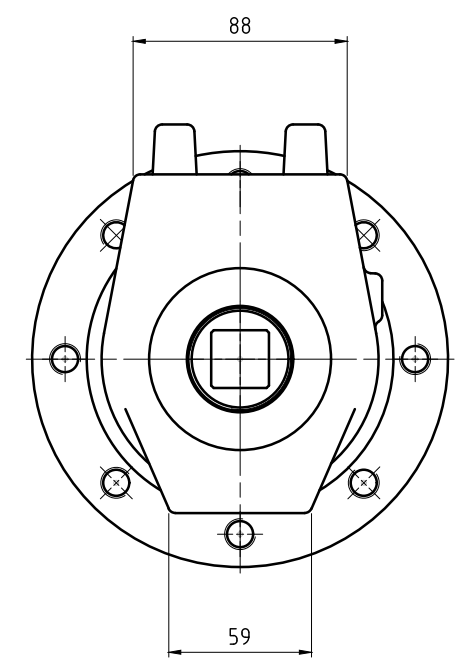
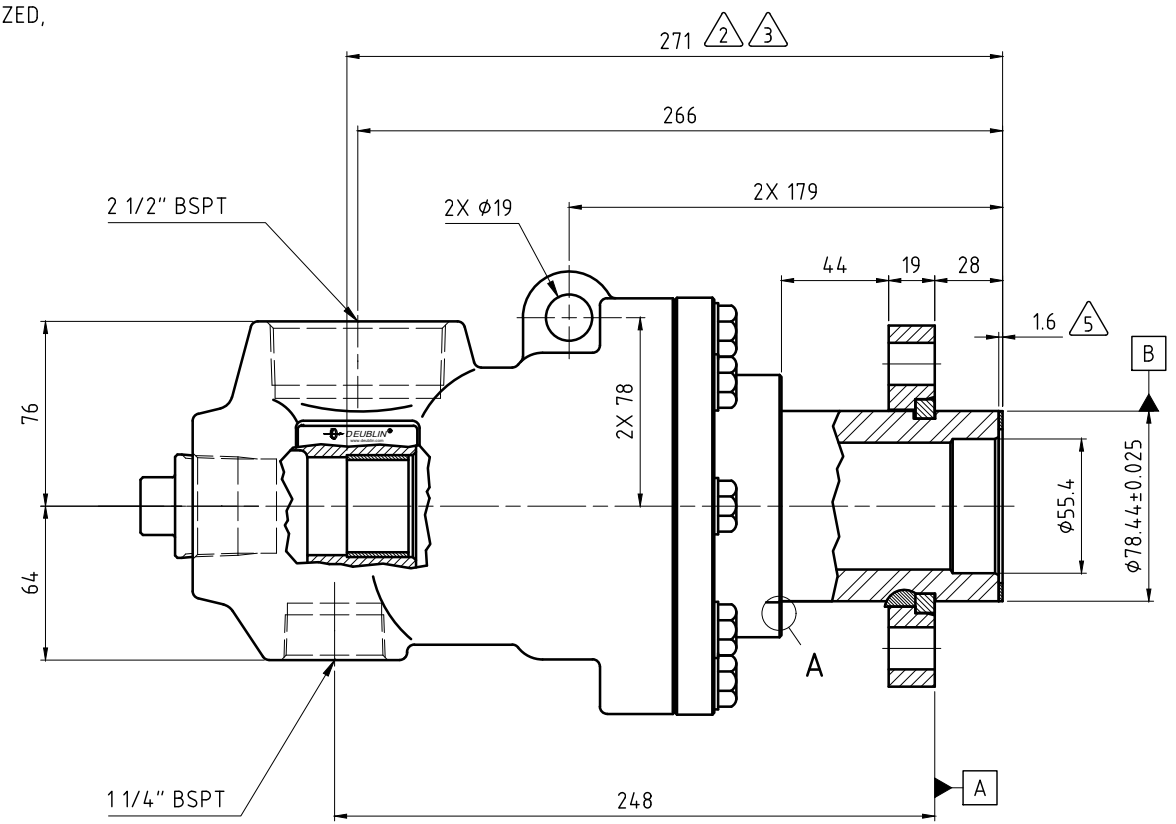
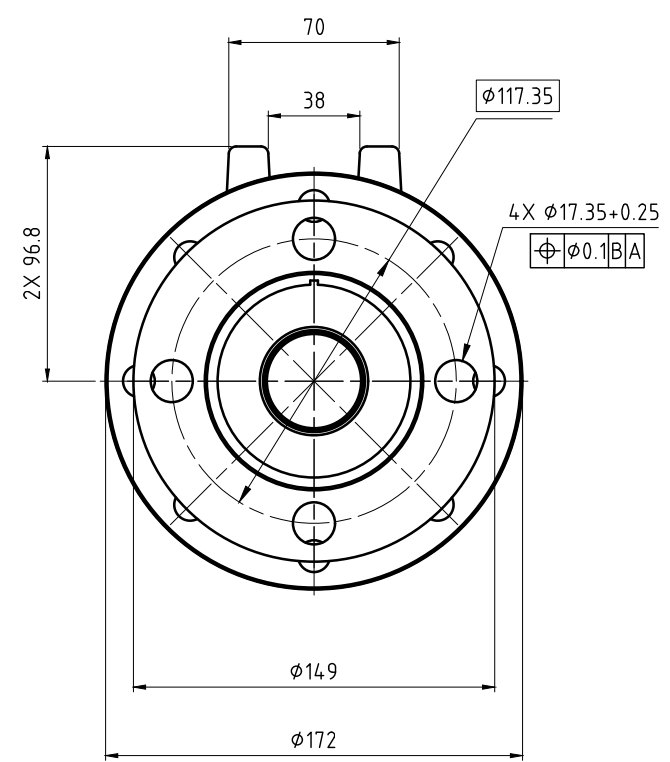


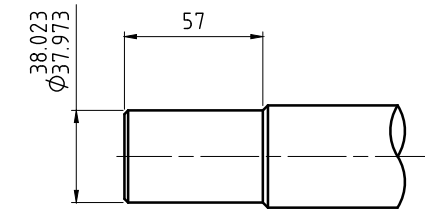
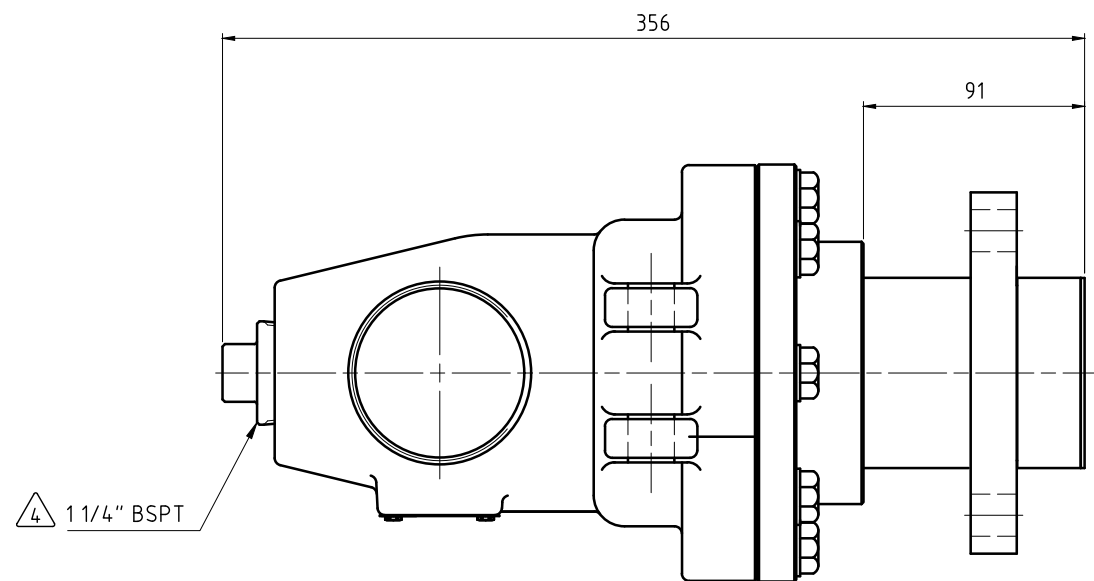
CONFIDENTIAL
 THIS DOCUMENT CONTAINS CONFIDENTIAL AND PROPRIETARY
 INFORMATION OF DEUBLIN COMPANY. COPYING, USE,
 TRANSMISSION, DISTRIBUTION, AND DISCLOSURE ARE SUBJECT
 TO THE TERMS AND CONDITIONS CONTAINED IN YOUR
 AGREEMENT WITH DEUBLIN COMPANY. ALL RIGHTS RESERVED.

NOTES:

- ① - SEAL MUST BE REPLACED WHEN "X" DIMENSION EXCEEDS 6.3 mm. CONTACT DEUBLIN FOR APPROPRIATE SERVICE KIT.
- ② - PIPE LENGTH INTO UNION.
- ③ - PIPE SUPPLIED BY CUSTOMER.
- ④ - PLUG INSTALLED HAND TIGHT FROM FACTORY. IF PORT IS NOT UTILIZED, TIGHTEN BEFORE USE.
- ⑤ - GASKET THICKNESS.



"X" SEAL WEAR DETAIL
 A (5:1)



SYPHON PIPE DETAIL

OPERATING DATA			
MEDIA		STEAM	WATER
PRESSURE	MAXIMUM	8.6 bar	13.8 bar
TEMPERATURE	MAXIMUM	178 °C	178 °C
SPEED	MAXIMUM	200 min ⁻¹	200 min ⁻¹
DRY RUN		NO	NO

		PROJECTION:	SCALE: 1:2
		DATE	MATERIAL: INTERFACE CONTROL DRAWING
		NAME	TITLE: DEUBLIN UNION
		DRN. 06/15/2018	NO. BC-54206-40-60B
		ENGR.	SHEET A2
		APPD.	
		UNLESS SPECIFICALLY TOLERANCED, ALL DIMENSIONS ARE CONSIDERED REFERENCE	
ISSUE	MODIFICATION	ECO	DATE
			SIGN