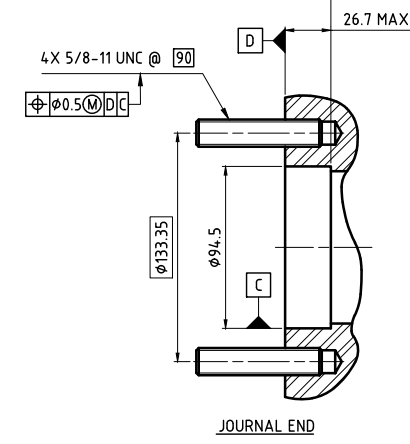
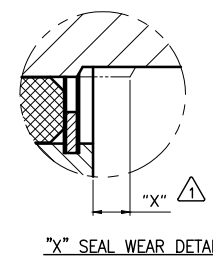
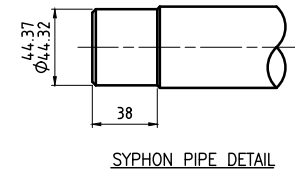
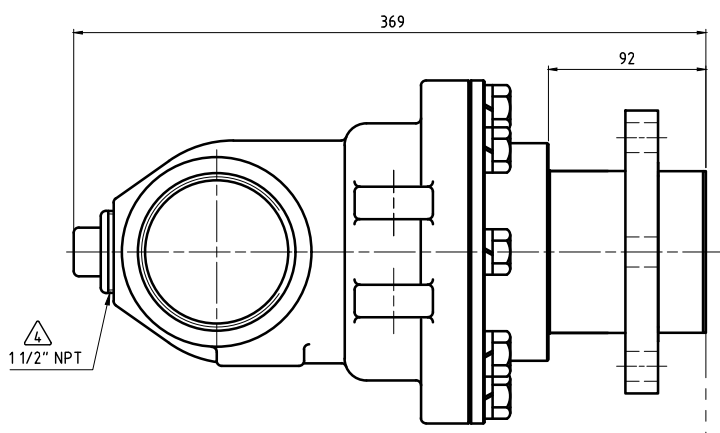
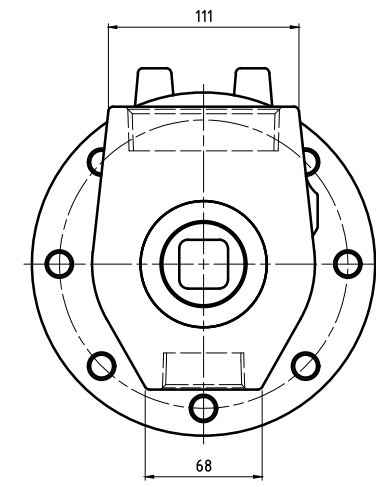
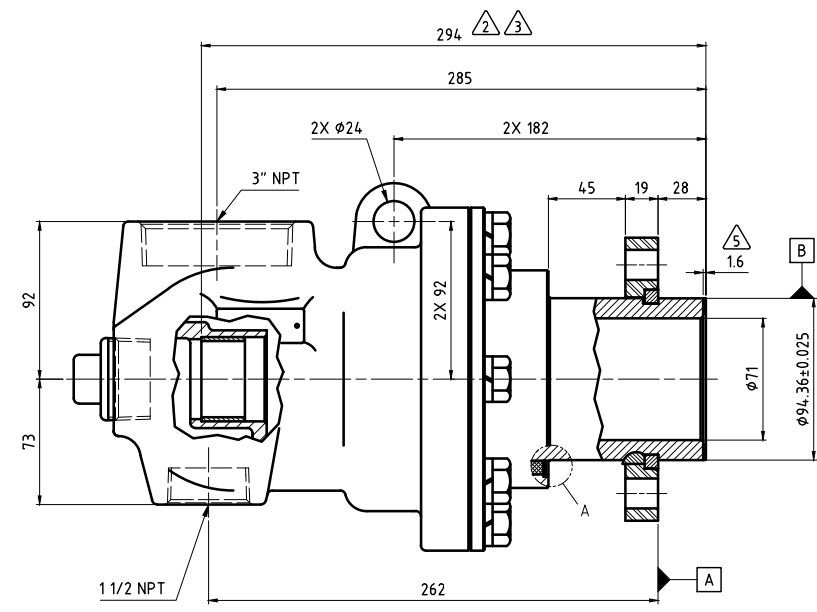
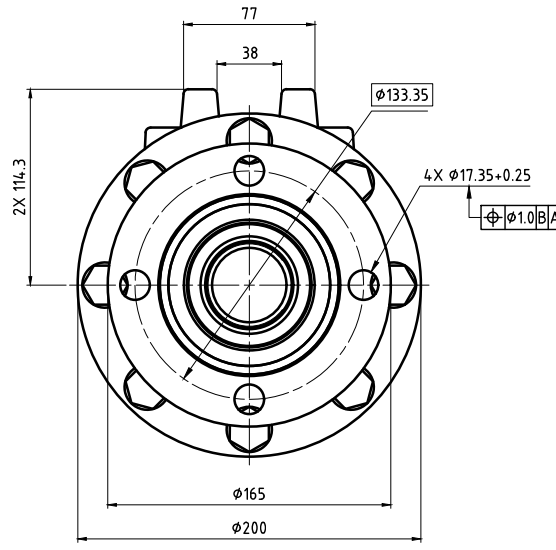


- NOTES:
- ⚠ - SEAL MUST BE REPLACED WHEN "X" DIMENSION EXCEEDS 6.3 mm. CONTACT DEUBLIN FOR APPROPRIATE SERVICE KIT.
 - ⚠ - PIPE LENGTH INTO UNION.
 - ⚠ - PIPE SUPPLIED BY CUSTOMER.
 - ⚠ - PLUG INSTALLED HAND TIGHT FROM FACTORY. IF PORT IS NOT UTILIZED, TIGHTEN BEFORE USE.
 - ⚠ - GASKET THICKNESS.



OPERATING DATA		
MEDIA		STEAM
PRESSURE	MAXIMUM	8.6 bar
TEMPERATURE	MAXIMUM	178 °C
SPEED	MAXIMUM	200 min ⁻¹
DRY RUN		NO

DEUBLIN
 Engineered for Performance

PROJECTION:

SCALE: 1:2

MATERIAL: INTERFACE CONTROL DRAWING

TITLE: UNION TYPE C ROTATING SYPHON
 B2 TRIM NPT PORTS 3" CRF RTR FLG. INCL.

NO. BC-54206-48-60

SHEET A2

DATE	NAME
DRN: 03/28/16	N. Reyna
ENGR: 03/28/16	L. Freed
APPD:	

UNLESS SPECIFICALLY TOLERANCED, ALL DIMENSIONS ARE CONSIDERED REFERENCE