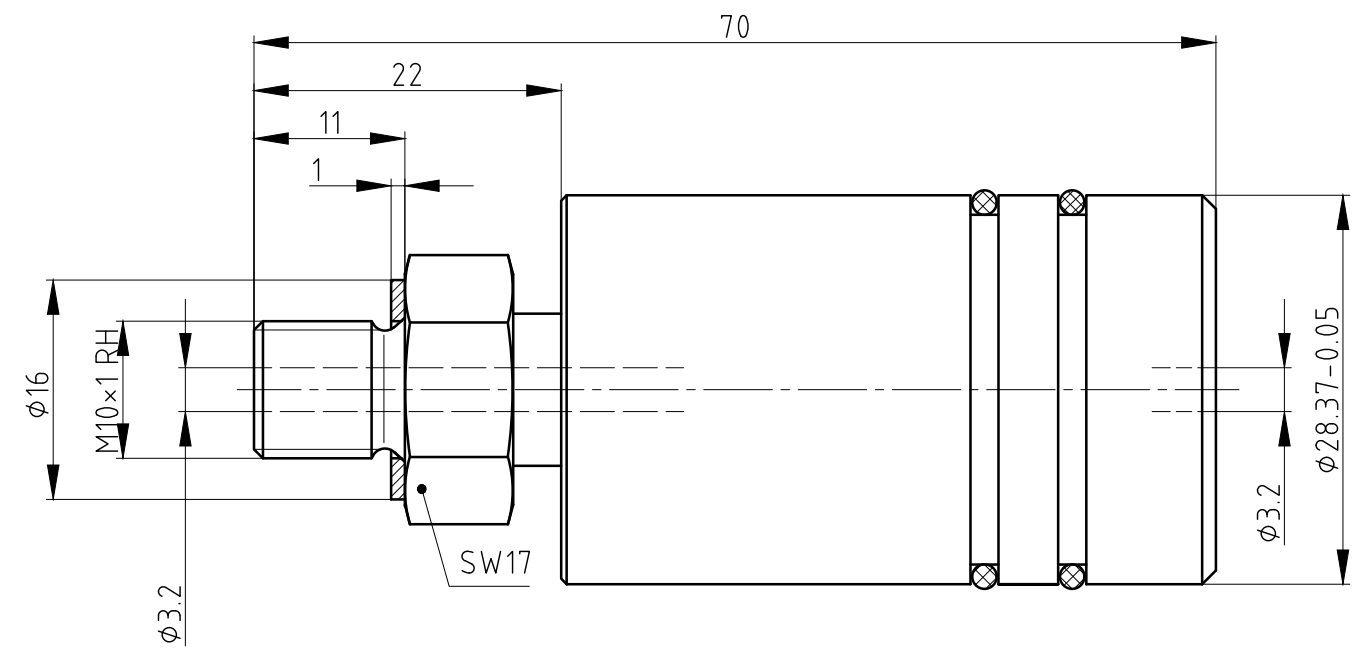
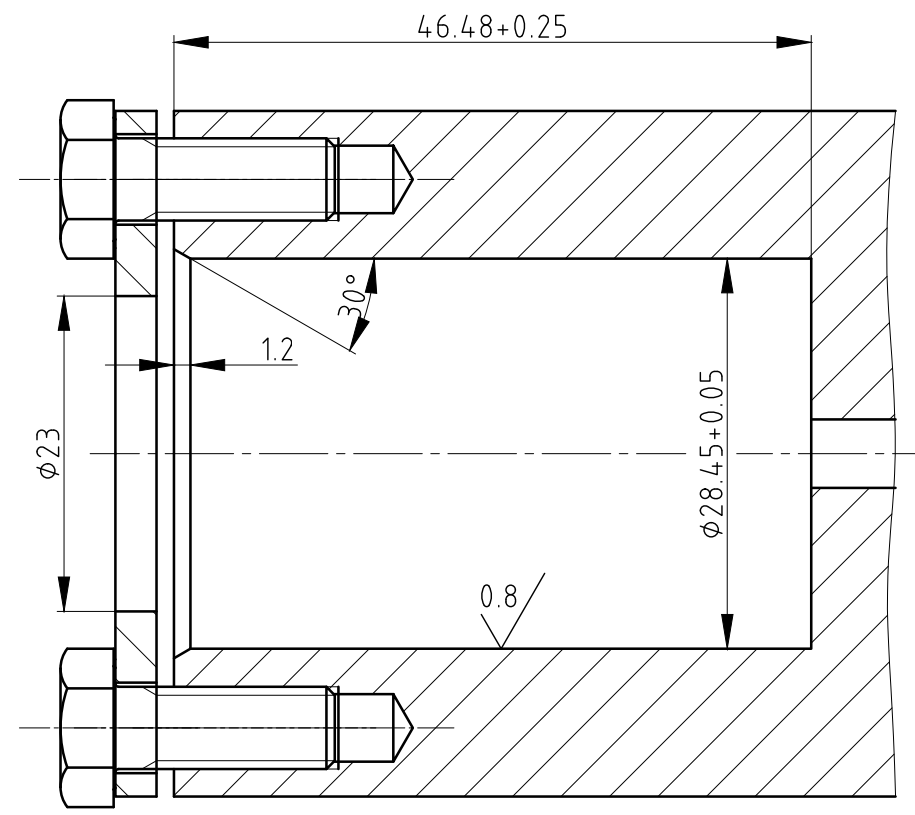


**CONFIDENTIAL**  
 The reproduction, distribution and utilization of this document as well as the communication of its contents to others without express authorization is prohibited. Offenders will be held liable for the payment of damages. All rights reserved in the event of the grant of a patent, utility model or design.



**(B) CUSTOMER INTERFACE**



OPERATING DATA / Betriebsdaten		
MEDIA/Medium	air / hydraulik	Luft/Hydraulik
p max.	150/1000 PSI	10/70 bar
n max.	3500 RPM	3500 1/min
t max.	250 °F	120 °C

	PROJECTION:	SCALE: 2:1	MATERIAL: INTERFACE CONTROL DRAWING				
	DATE	NAME	TITLE:				
	DRN. 15.10.2001	V. Wiege	DEUBLIN Einführung				
	ENGR. 15.10.2001	Ch. Wolf					
	APPD.						
B	WAS Wellenende des Kunden	054624	1/06/20	RM	UNLESS SPECIFICALLY TOLERANCED, ALL DIMENSIONS ARE CONSIDERED REFERENCE	NO. 1005-000-037	SHEET A3
A	ADDED FAI LAYER	000708		JK			
ISSUE	MODIFICATION	ECO	DATE	SIGN			