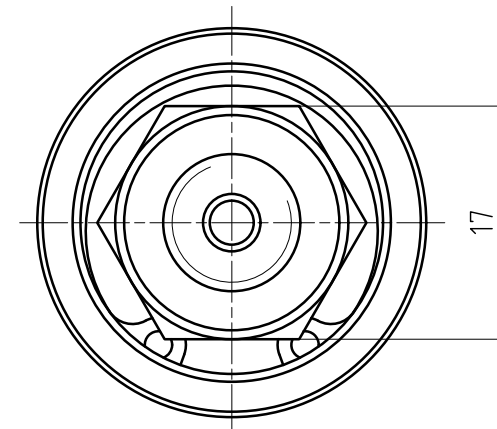
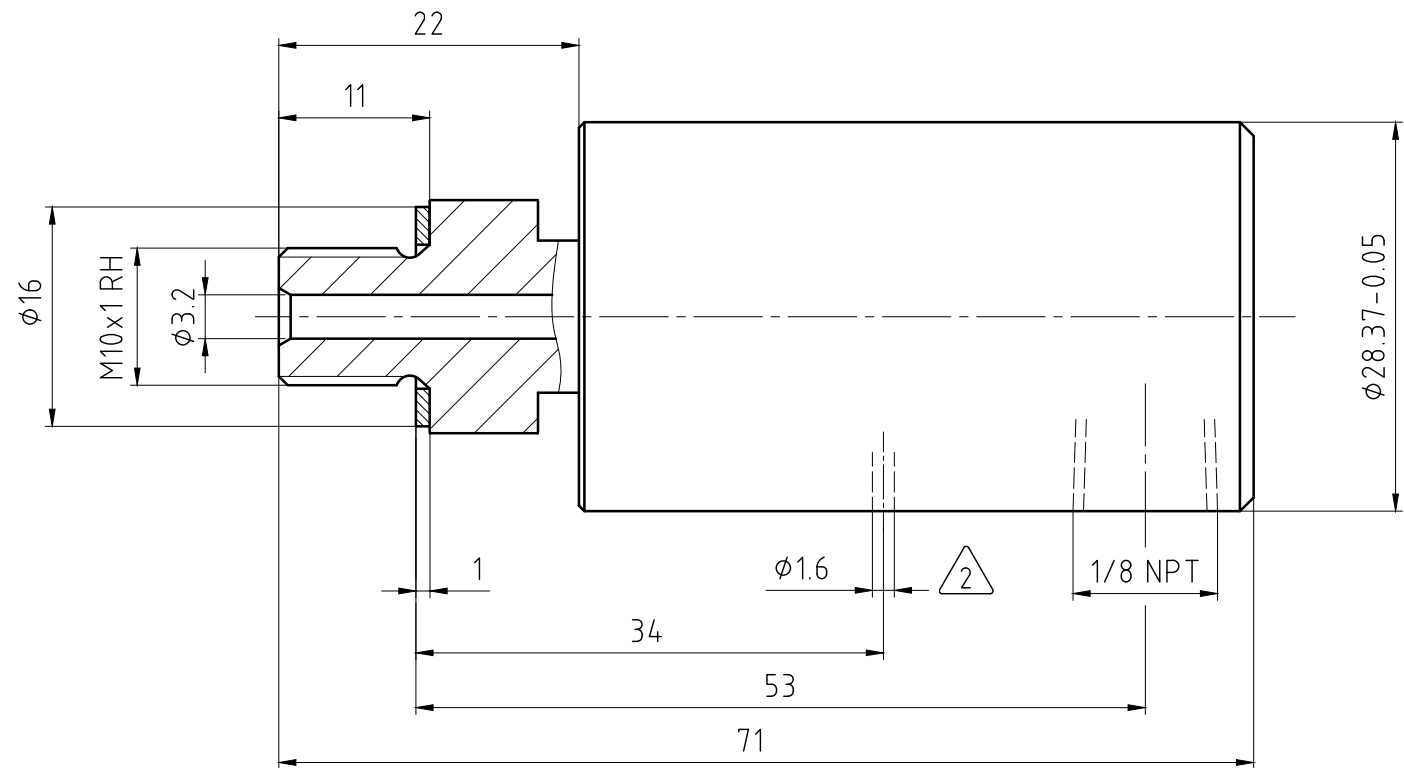


CONFIDENTIAL
 THIS DOCUMENT CONTAINS CONFIDENTIAL AND PROPRIETARY
 INFORMATION OF DEUBLIN COMPANY. COPYING, USE,
 TRANSMISSION, DISTRIBUTION, AND DISCLOSURE ARE SUBJECT
 TO THE TERMS AND CONDITIONS CONTAINED IN YOUR
 AGREEMENT WITH DEUBLIN COMPANY. ALL RIGHTS RESERVED.

NOTES:

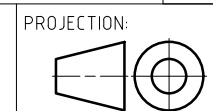
1 - CONTACT DEUBLIN OR VISIT WWW.DEUBLIN.COM
 FOR INSTRUCTION MANUAL: 040-555

 - VENT HOLE



OPERATING DATA

MEDIA	COPMPRESSED AIR
MAX. PRESSURE	10 bar
MAX. SPEED	3500 1/min
MAX. TEMPERATURE	120 °C
DRY RUN	NOT POSSIBLE



PROJECTION:  SCALE: 2:1
 MATERIAL: INTERFACE CONTROL DRAWING

ISSUE	MODIFICATION	ECO	DATE	SIGN

TITLE: DEUBLIN ROTATING UNION
 DEUBLIN Drehdurchführung
 NO. 1005-011-037
 SHEET A3

UNLESS SPECIFICALLY TOLERANCED, ALL DIMENSIONS ARE CONSIDERED REFERENCE