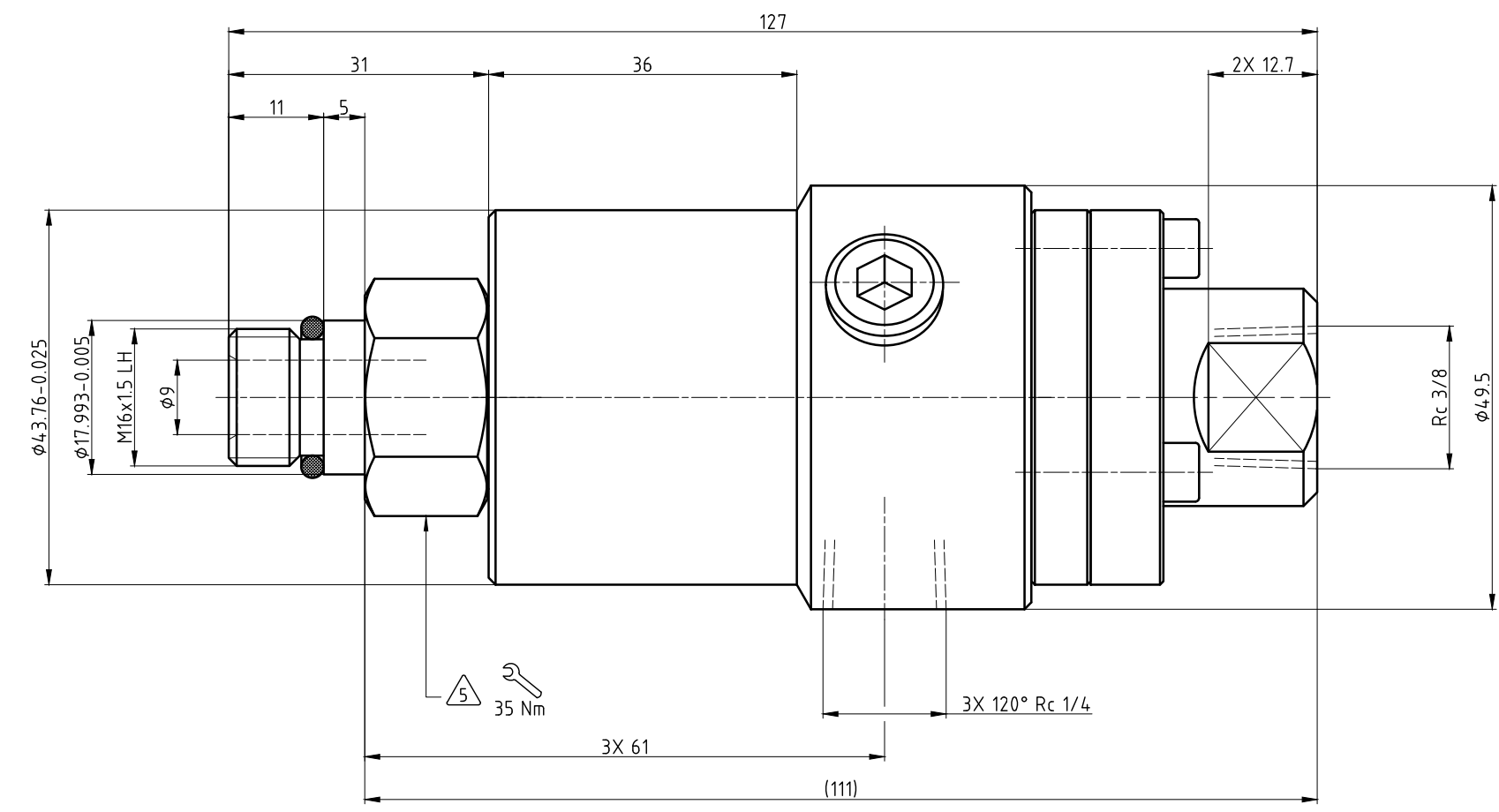
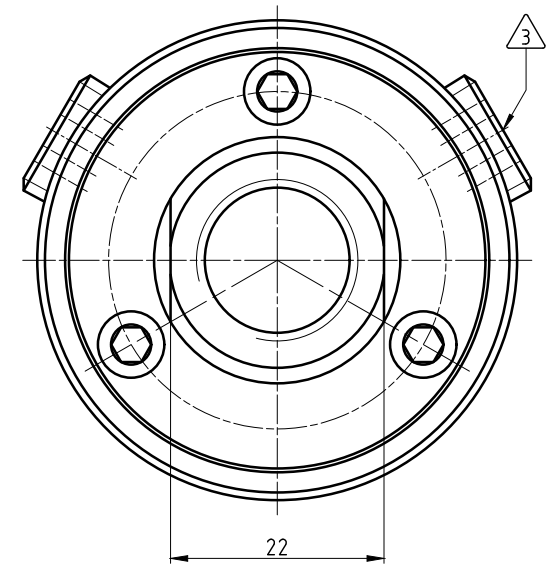


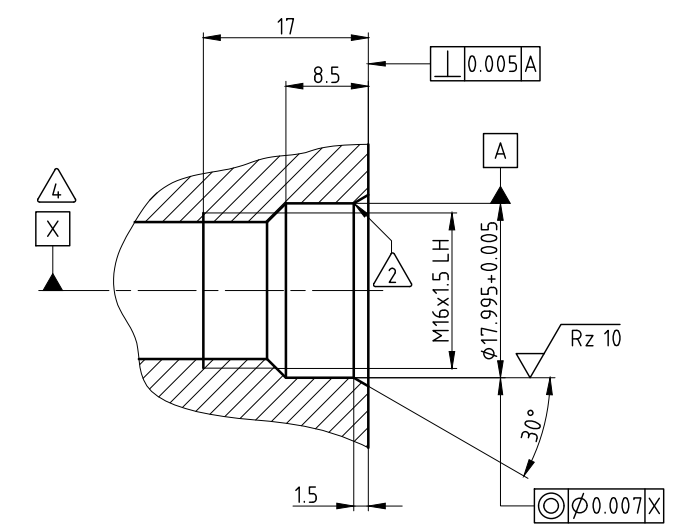
CONFIDENTIAL
 THIS DOCUMENT CONTAINS CONFIDENTIAL AND PROPRIETARY
 INFORMATION OF DEUBLIN COMPANY. COPYING, USE,
 TRANSMISSION, DISTRIBUTION, AND DISCLOSURE ARE SUBJECT
 TO THE TERMS AND CONDITIONS CONTAINED IN YOUR
 AGREEMENT WITH DEUBLIN COMPANY. ALL RIGHTS RESERVED.

NOTES:

- 1 - CONTACT DEUBLIN OR VISIT WWW.DEUBLIN.COM
FOR INSTRUCTION MANUAL: 040-553
- 2 - ROUNDED
- 3 - 2X PIPE PLUG R 1/4
- 4 - SPINDLE BEARING ARRANGEMENT
- 5 - 24 A.F.



CUSTOMER'S SHAFT END



OPERATING DATA		
MEDIA	COOLANT	MQL
PRESSURE MAX.	70 bar	10 bar
SPEED MAX.	12000 min ⁻¹	12000 min ⁻¹
TEMPERATURE MAX.	70 °C	70 °C
FLOW RATE MAX.	82 l/min	3920 NI/min
DRY RUN	UNLIMITED	

DEUBLIN
 Engineered for Performance

PROJECTION:

SCALE: 2:1

MATERIAL: INTERFACE CONTROL DRAWING

TITLE: DEUBLIN ROTATING UNION
 DEUBLIN Drehdurchführung

NO. 902-141-188

SHEET A2

DATE	NAME	DATE	NAME
DRN. 18.05.2015	HS	DATE	NAME
ENGR. 19.05.2015	FD	DATE	NAME
APPD.		DATE	NAME

UNLESS SPECIFICALLY TOLERANCED, ALL DIMENSIONS ARE CONSIDERED REFERENCE

A	UPDATE MS	033232	18.05.15	HS
ISSUE	MODIFICATION	ECO	DATE	SIGN