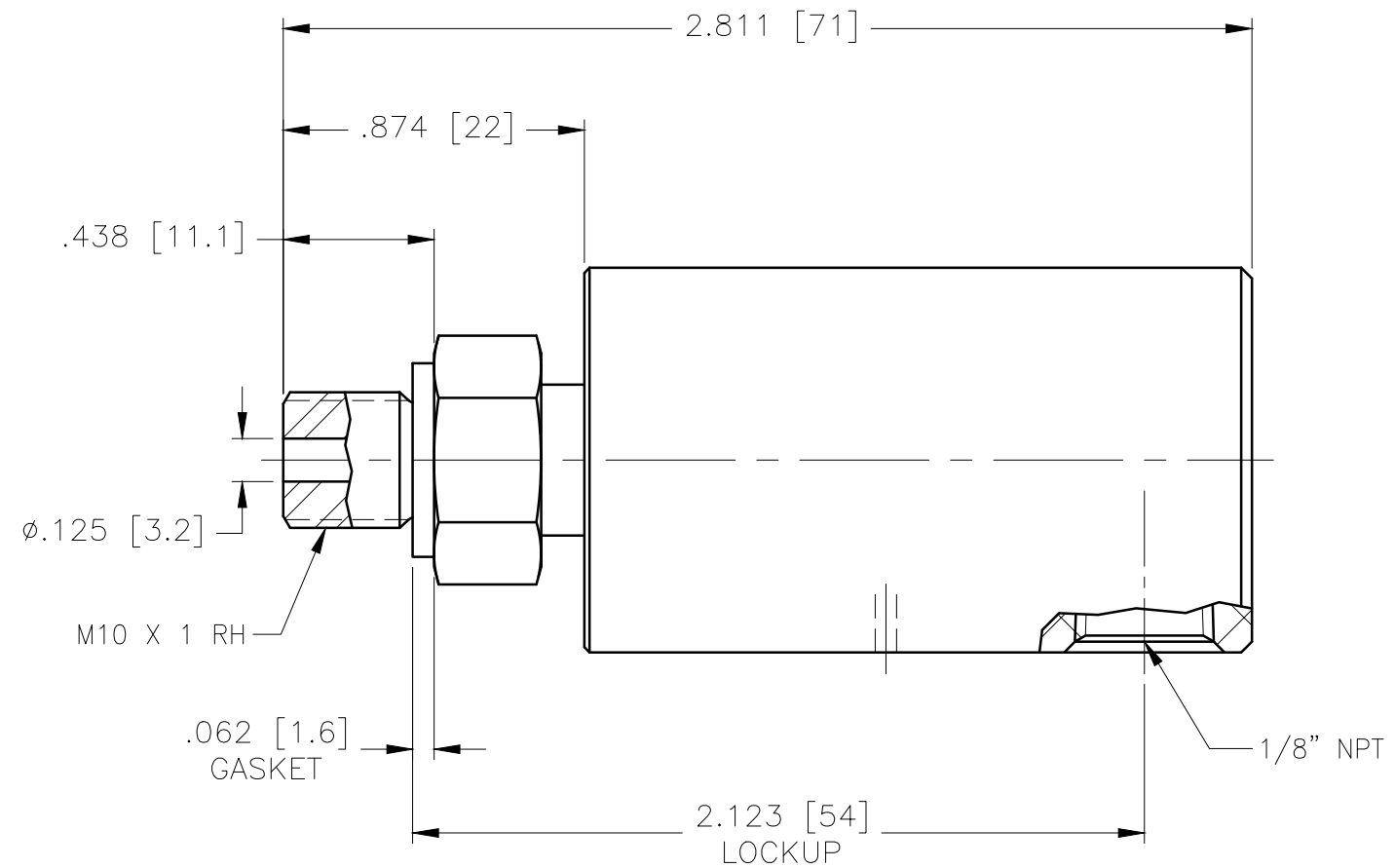
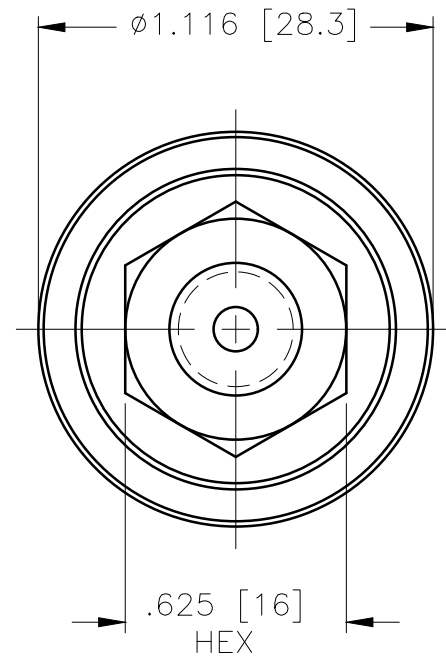


CONFIDENTIAL  
 THIS DOCUMENT CONTAINS CONFIDENTIAL AND PROPRIETARY INFORMATION OF DEUBLIN COMPANY. COPYING, USE, TRANSMISSION, DISTRIBUTION, AND DISCLOSURE ARE SUBJECT TO THE TERMS AND CONDITIONS CONTAINED IN YOUR AGREEMENT WITH DEUBLIN COMPANY. ALL RIGHTS RESERVED.



OPERATING DATA

MEDIA	HYDRAULIC OIL/COMPRESSED AIR	
MAX OIL PRESSURE	1000 PSI	70 bar
MAX AIR PRESSURE	150 PSI	10 bar
MAX TEMPERATURE	250°F	121°C
MAX SPEED	3500 RPM	3500/min

LET.	REVISION	ECO	DATE	SIGN

SCALE	2:1	DWG SIZE
DRN	NR	09/25/08
ENGR	SS	09/25/08
APPD	SS	09/25/08
PART NO.	1005-020-236	
CUSTOMER		

UNLESS SPECIFICALLY TOLERANCED, ALL DIMENSIONS ARE REFERENCE  
 DIMENSIONS IN [ ] ARE IN MILLIMETERS.



TITLE: INTERFACE CONTROL DRAWING OF DEUBLIN UNION 1005-020-037

DWG NO. 1005-020-037 C.A.D DRAWING