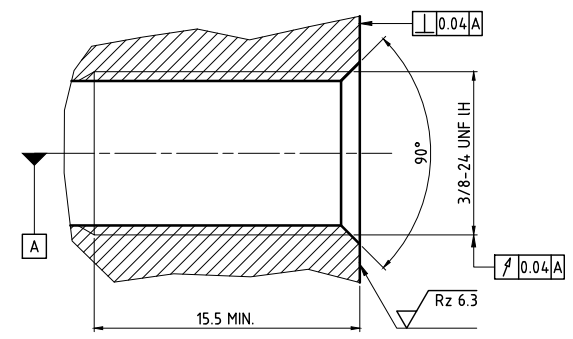
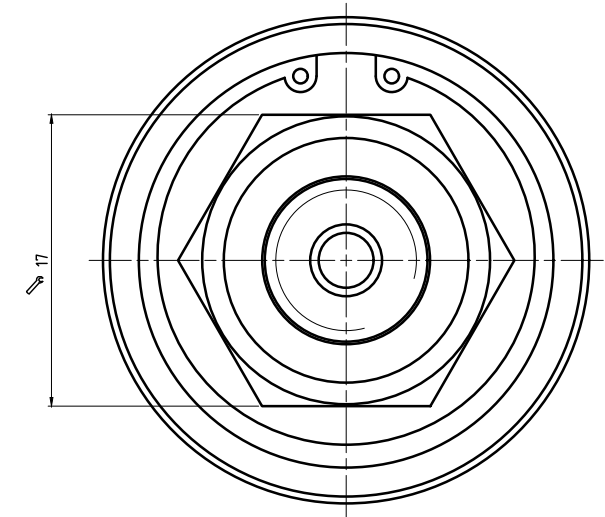
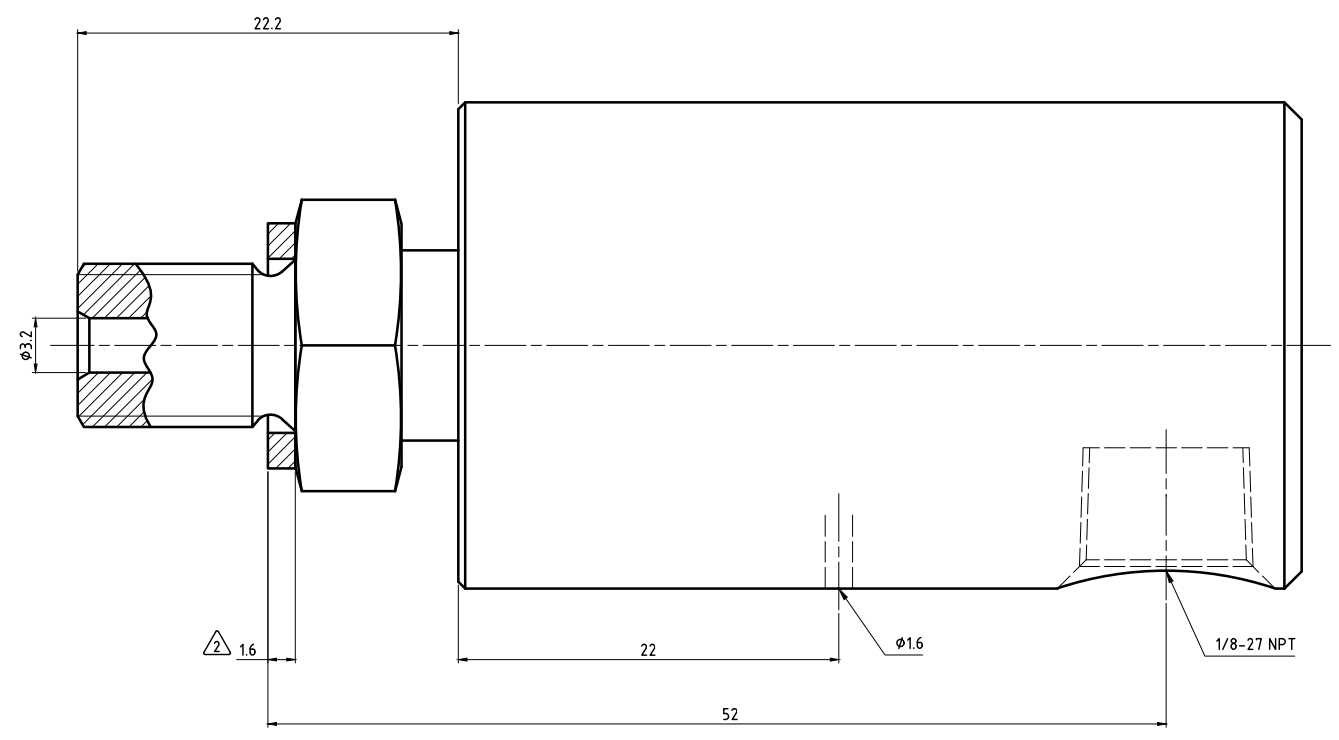
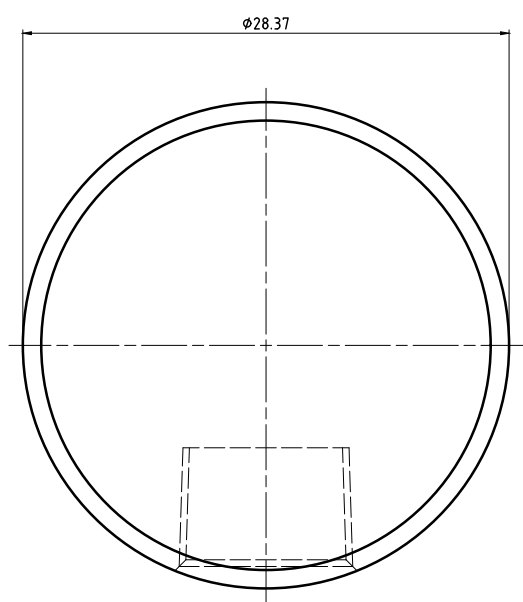
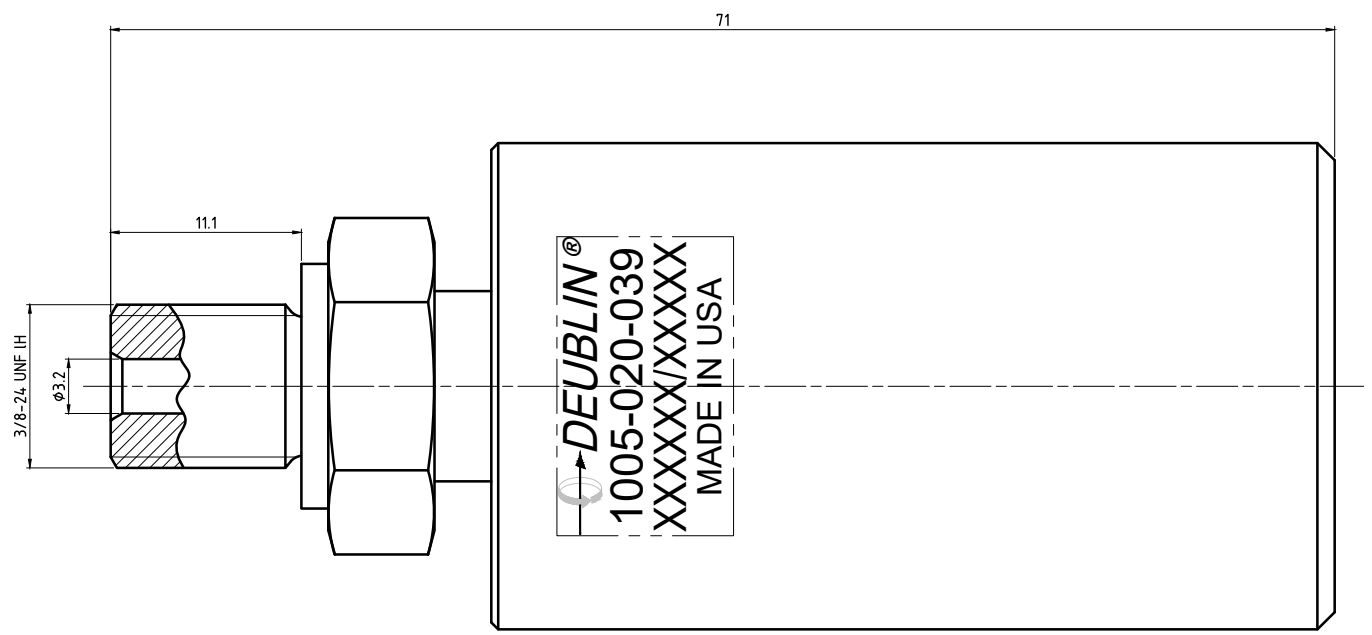


NOTES:
 1 - TORQUE TO 13.6Nm +2Nm. DO NOT LOCTITE
 2 - GASKET THICKNESS.



CUSTOMER INTERFACE



OPERATING DATA		
MEDIA	AIR & HYDRAULIC	
MAX AIR PRESSURE	150 PSI	10 bar
MAX VACUUM	28" Hg	6.7 kPa
MAX HYD. PRESSURE	1000 PSI	70 bar
MAX SPEED	3500 RPM	3500/min
MAX TEMPERATURE	250°F	121°C

		PROJECTION:	SCALE: 5:1
DATE: 07/29/02		NAME: RM	TITLE: DEUBLIN ROTATING UNION
ENGR: 07/29/02		RC	
APPD:			
NO. 1005-020-039-IC		SHEET A2	