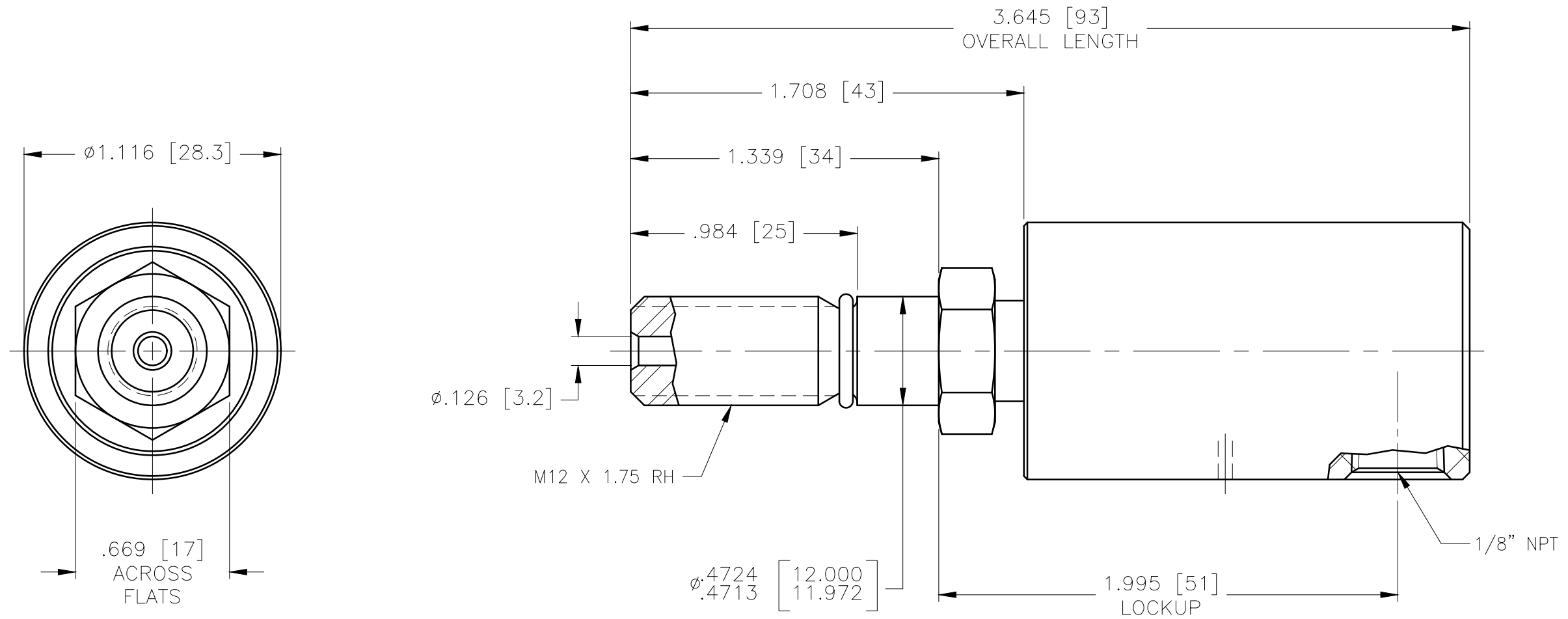


CONFIDENTIAL
 THIS DOCUMENT CONTAINS CONFIDENTIAL AND PROPRIETARY INFORMATION OF DEUBLIN COMPANY. COPYING, USE, TRANSMISSION, DISTRIBUTION, AND DISCLOSURE ARE SUBJECT TO THE TERMS AND CONDITIONS CONTAINED IN YOUR AGREEMENT WITH DEUBLIN COMPANY. ALL RIGHTS RESERVED.



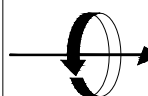
OPERATING DATA

MEDIA	HYDRAULIC OIL/COMPRESSED AIR	
MAX OIL PRESSURE	1000 PSI	70 bar
MAX AIR PRESSURE	150 PSI	10 bar
MAX TEMPERATURE	250°F	121°C
MAX SPEED	3500 RPM	3500/min

LET.	REVISION	ECO	DATE	SIGN

SCALE	2:1	DWG SIZE
DRN	NR	06/03/09
ENGR	TW	06/03/09
APPD	TW	06/03/09
PART NO.	1005-020-155	
CUSTOMER		

UNLESS SPECIFICALLY TOLERANCED, ALL DIMENSIONS ARE REFERENCE
 DIMENSIONS IN [] ARE IN MILLIMETERS.

 **DEUBLIN** COMPANY
 WAUKEGAN, ILLINOIS, U.S.A.

TITLE: INTERFACE CONTROL DRAWING OF DEUBLIN UNION 1005-020-155

DWG NO. 1005-020-155 C.A.D DRAWING