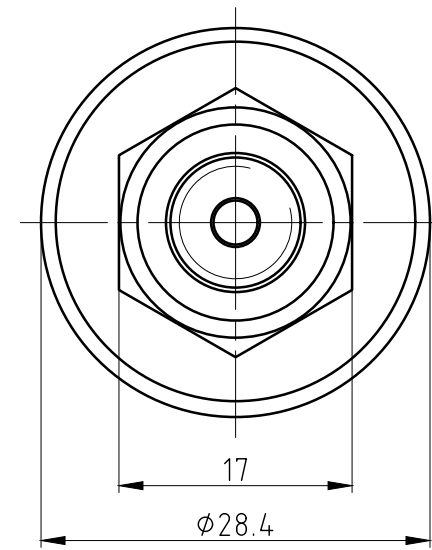
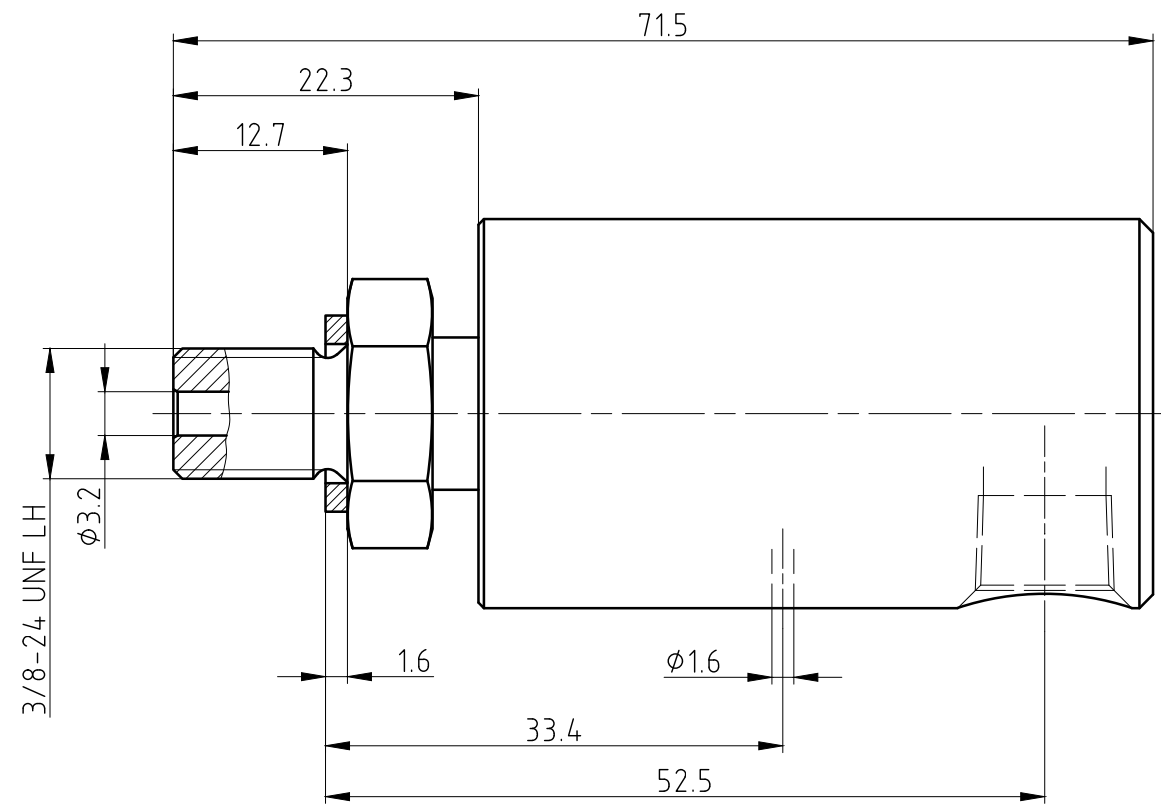


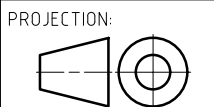
NOTES:

1 - CONTACT DEUBLIN OR VISIT WWW.DEUBLIN.COM
FOR INSTRUCTION MANUAL: 04-0-555

CONFIDENTIAL
THIS DOCUMENT CONTAINS CONFIDENTIAL AND PROPRIETARY
INFORMATION OF DEUBLIN COMPANY. COPYING, USE,
TRANSMISSION, DISTRIBUTION, AND DISCLOSURE ARE SUBJECT
TO THE TERMS AND CONDITIONS CONTAINED IN YOUR
AGREEMENT WITH DEUBLIN COMPANY. ALL RIGHTS RESERVED.



OPERATING DATA	
MEDIA	HYDRAULIC OIL
PRESSURE MAX.	70 bar
SPEED MAX.	3500 min ⁻¹
TEMPERATURE MAX.	120 °C
DRY RUN (WITHOUT ANY MEDIA)	NO



PROJECTION: SCALE: 2:1
MATERIAL: INTERFACE CONTROL DRAWING

DATE	NAME	TITLE:			
DRN. 11/04/05	RM	DEUBLIN ROTATING UNION DEUBLIN Drehdurchführung			
ENGR. 11/04/05	ARS				
APPD.					
UNLESS SPECIFICALLY TOLERANCED, ALL DIMENSIONS ARE CONSIDERED REFERENCE		NO. 1005-057-039			
A	UPDATE TO IMS	017578	03/12	CD	SHEET A3
ISSUE	MODIFICATION	ECO	DATE	SIGN	

TITLE: DEUBLIN ROTATING UNION
DEUBLIN Drehdurchführung
NO. 1005-057-039
SHEET A3