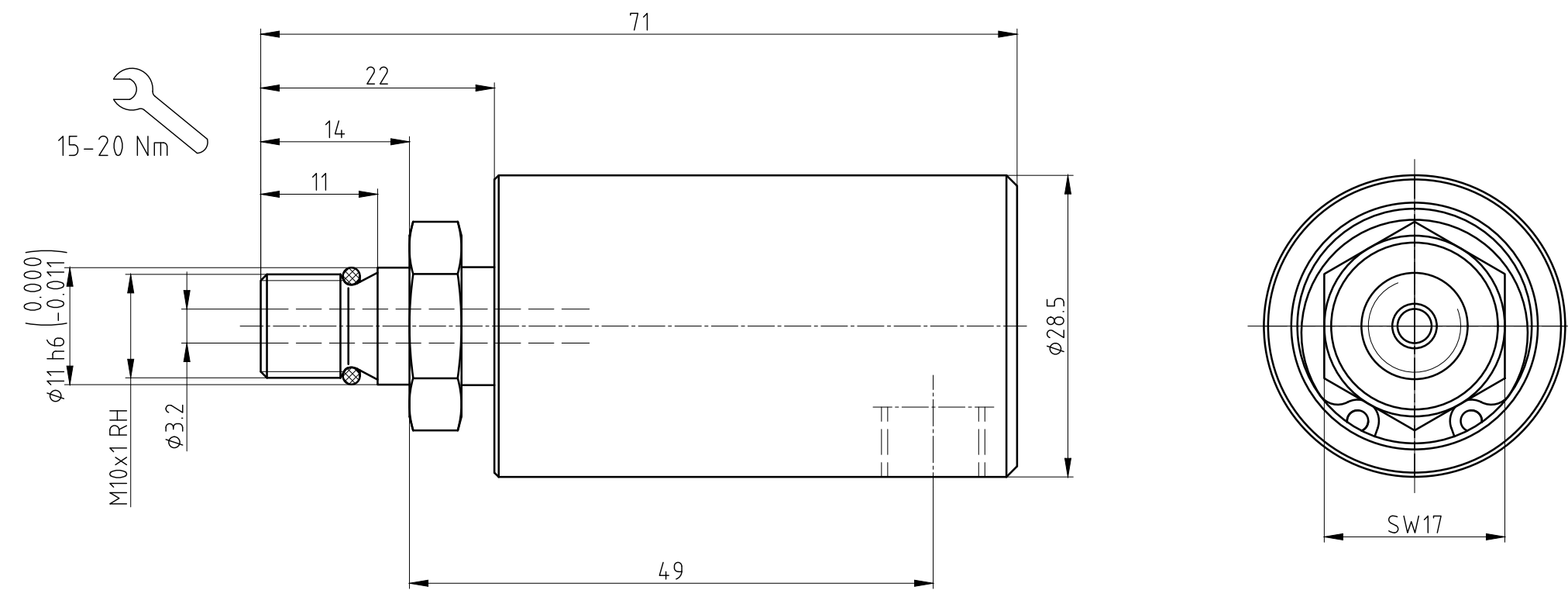


NOTES:

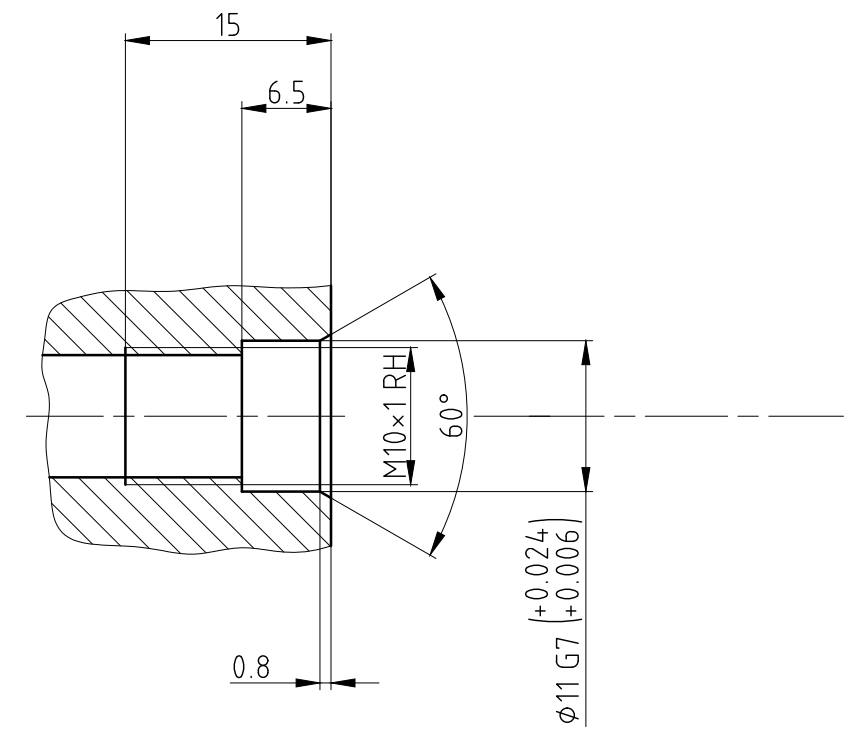
1 - USE INSTRUCTION MANUAL 040-555!

CONFIDENTIAL
THIS DOCUMENT CONTAINS CONFIDENTIAL AND PROPRIETARY INFORMATION OF DEUBLIN COMPANY. COPYING, USE, TRANSMISSION, DISTRIBUTION, AND DISCLOSURE ARE SUBJECT TO THE TERMS AND CONDITIONS CONTAINED IN YOUR AGREEMENT WITH DEUBLIN COMPANY. ALL RIGHTS RESERVED.

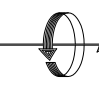
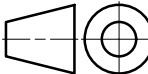
φ11	h6	0.000	11.000
		-0.011	10.989
φ11	G7	+0.024	11.024
		-0.006	11.006
Maß	Passung		



CUSTOMERS SHAFT END



OPERATING DATA	
MEDIA	HYDRAULIC OIL & GREASE
PRESSURE MAX.	105 bar
SPEED MAX.	3500 min ⁻¹
TEMPERATURE MAX.	120 °C
DRY RUN (WITHOUT ANY MEDIA)	NO

 DEUBLIN GmbH D-65719 HOFHEIM-WALLAU, GERMANY		PROJECTION: 	SCALE: 2:1
		INTERFACE CONTROL DRAWING	
		TITLE: DEUBLIN ROTATING UNION DEUBLIN Drehdurchführung	
		PART NO. 1005-057-045	
		SHEET A3	
ISSUE	MODIFICATION	ECO	DATE
UNLESS SPECIFICALLY TOLERANCED, ALL DIMENSIONS ARE CONSIDERED REFERENCE			