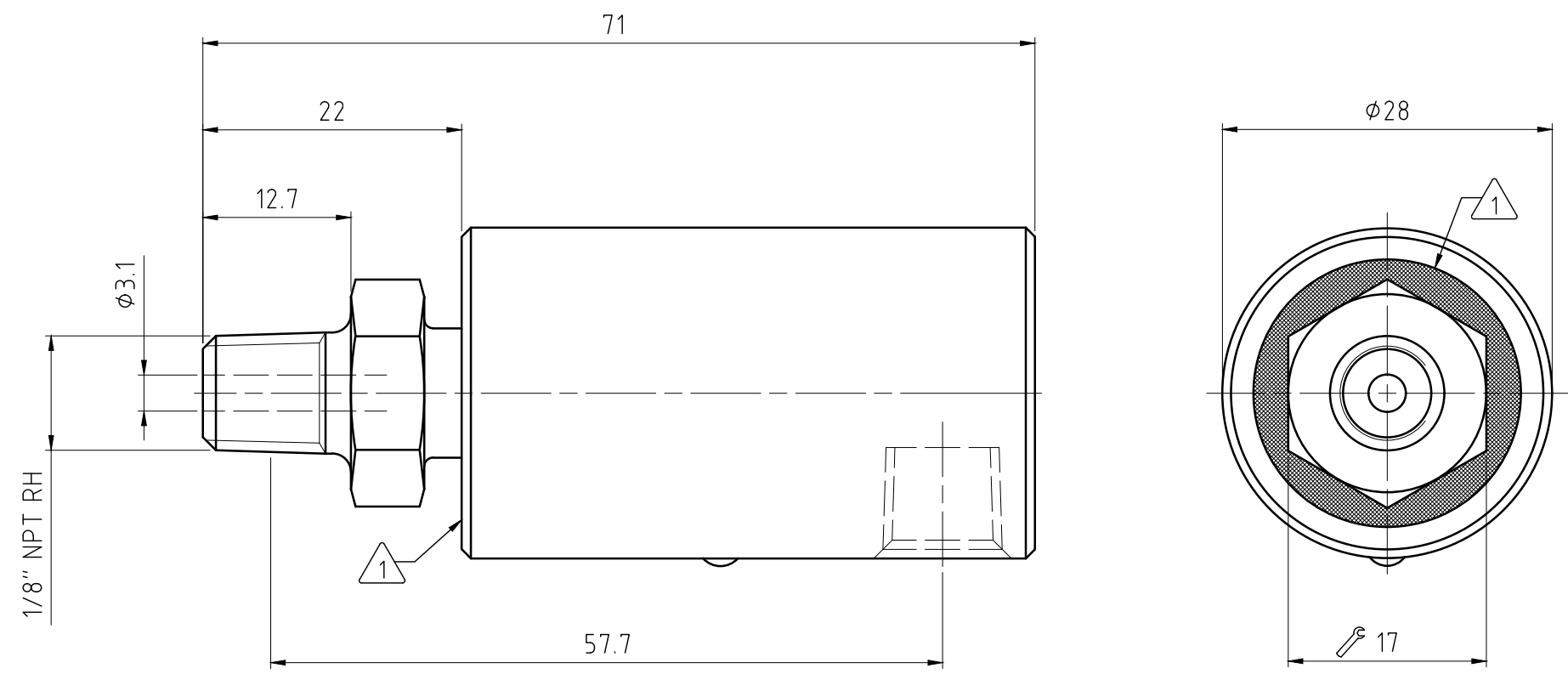


CONFIDENTIAL  
 THIS DOCUMENT CONTAINS CONFIDENTIAL AND PROPRIETARY  
 INFORMATION OF DEUBLIN COMPANY. COPYING, USE,  
 TRANSMISSION, DISTRIBUTION, AND DISCLOSURE ARE SUBJECT  
 TO THE TERMS AND CONDITIONS CONTAINED IN YOUR  
 AGREEMENT WITH DEUBLIN COMPANY. ALL RIGHTS RESERVED.

NOTES:

① - BEARING FACE FILLED WITH SILASTIC FOR PROTECTION.



OPERATING DATA	
MEDIA	AIR
MAX. PRESSURE	10 bar
MAX. SPEED	1500/min
MAX. AIR TEMPERATURE	121°C

		PROJECTION: 	SCALE: 2:1 MATERIAL: INTERFACE CONTROL DRAWING	
		DATE: 05/30/12 NAME: GA ENGR. 05/30/12 TW APPD.	TITLE: <b>DEUBLIN UNION</b>	
B 70°C TO 121°C 052638 07/19 DO A WAS 16 HEX. 020752 11/12 GA		UNLESS SPECIFICALLY TOLERANCED, ALL DIMENSIONS ARE CONSIDERED REFERENCE	NO. 1005-060-038 SHEET A3	
ISSUE	MODIFICATION	ECO	DATE	SIGN