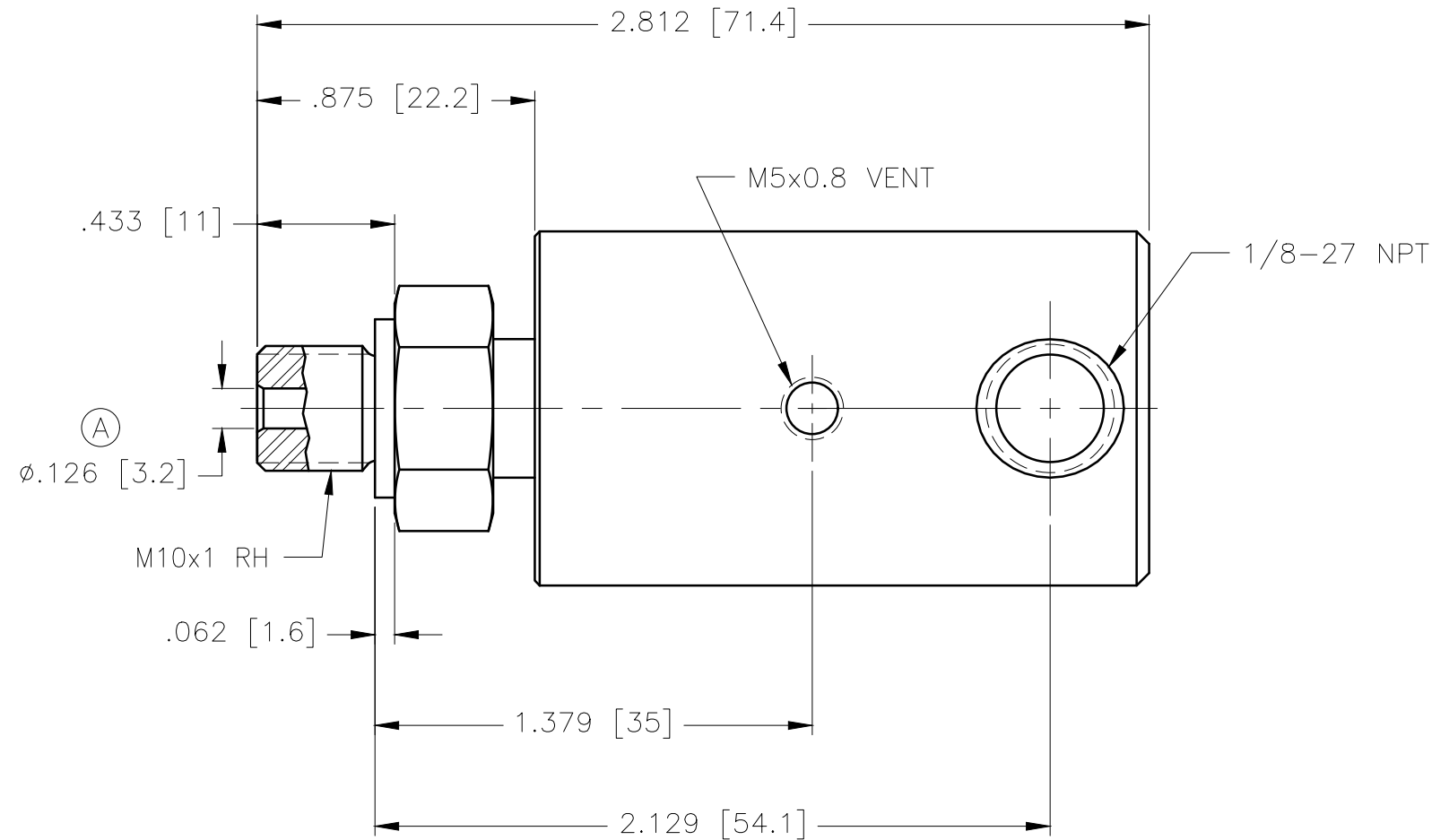
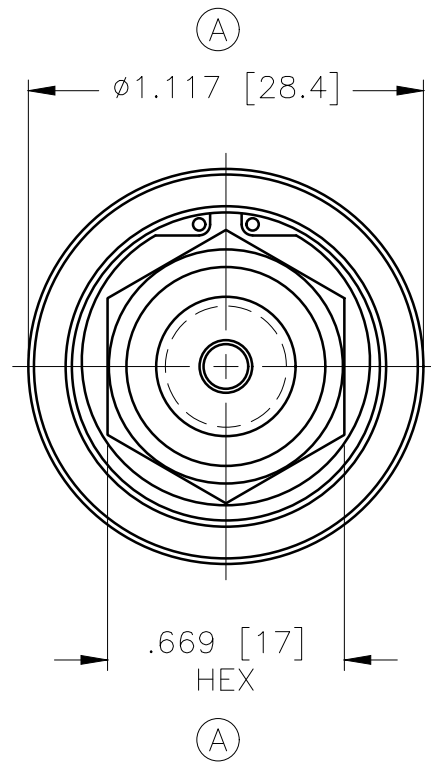
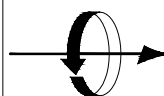


CONFIDENTIAL
 THIS DOCUMENT CONTAINS CONFIDENTIAL AND PROPRIETARY INFORMATION OF DEUBLIN COMPANY. COPYING, USE, TRANSMISSION, DISTRIBUTION, AND DISCLOSURE ARE SUBJECT TO THE TERMS AND CONDITIONS CONTAINED IN YOUR AGREEMENT WITH DEUBLIN COMPANY. ALL RIGHTS RESERVED.



OPERATING DATA		
MEDIA	AIR & HYDRAULIC	
MAX AIR PRESSURE	150 PSI	10 bar
MAX VACUUM	28" Hg	6.7 kPa
MAX HYD. PRESSURE	1000 PSI	70 bar
MAX SPEED	3500 RPM	3500/min
MAX TEMPERATURE	250°F	121°C

SCALE	2:1	DWG SIZE		UNLESS SPECIFICALLY TOLERANCED, ALL DIMENSIONS ARE REFERENCE	 DEUBLIN COMPANY WAUKEGAN, ILLINOIS, U.S.A.
DRN	RM	10/02/02			
ENGR					
APPD					
PART NO.				DIMENSIONS IN [] ARE IN MILLIMETERS.	TITLE:
1005-165-037					INTERFACE CONTROL DRAWING OF DEUBLIN UNION 1005-165-037
CUSTOMER				DWG NO.	C.A.D DRAWING
A UPDATED GEOMETRY 007522 09/09 NR				1005-165-037	
LET.	REVISION	ECO	DATE	SIGN	