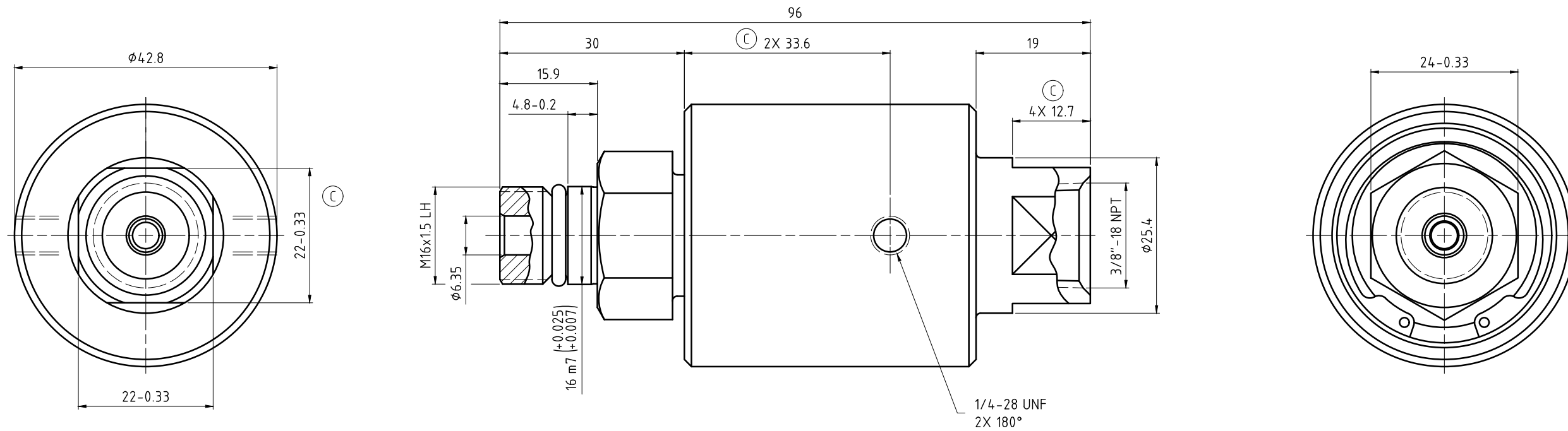


CONFIDENTIAL
 THIS DOCUMENT CONTAINS CONFIDENTIAL AND PROPRIETARY
 INFORMATION OF DEUBLIN COMPANY. COPYING, USE,
 TRANSMISSION, DISTRIBUTION, AND DISCLOSURE ARE SUBJECT
 TO THE TERMS AND CONDITIONS CONTAINED IN YOUR
 AGREEMENT WITH DEUBLIN COMPANY. ALL RIGHTS RESERVED.

NOTES:

① - OPERATION AT MAXIMUM PRESSURE COMBINED WITH MAXIMUM SPEED
 SHOULD BE AVOIDED.



OPERATING DATA		
MEDIA	COOLANT	
MAX COOLANT PRESSURE	1500 PSI	105 bar
MAX SPEED	15,000 RPM	15,000/min
MAX TEMPERATURE	250°F	121°C

①
 ①

		PROJECTION: 	SCALE: 2:1 MATERIAL:
		DATE: 06/17/04 NAME: RM	TITLE: INTERFACE CONTROL DRAWING FOR UNION 1101-339-259
		ENGR: 06/17/04 SS	
		APPD.	NO. 1101-339-259 SHEET A2
C CHANGED TO 4 FLATS 010467 06/10 RM	B ROTATED FLATS 007374 09/09 JK	UNLESS SPECIFICALLY TOLERANCED, ALL DIMENSIONS ARE CONSIDERED REFERENCE	
ISSUE MODIFICATION ECO DATE SIGN			