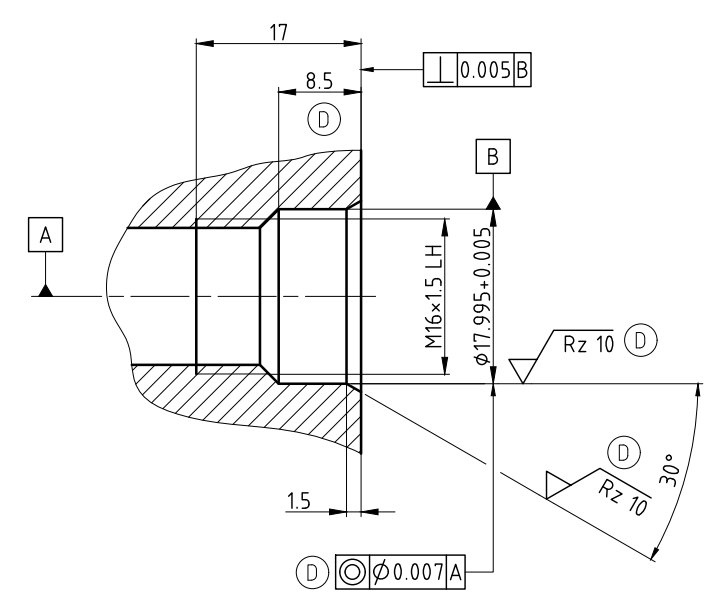
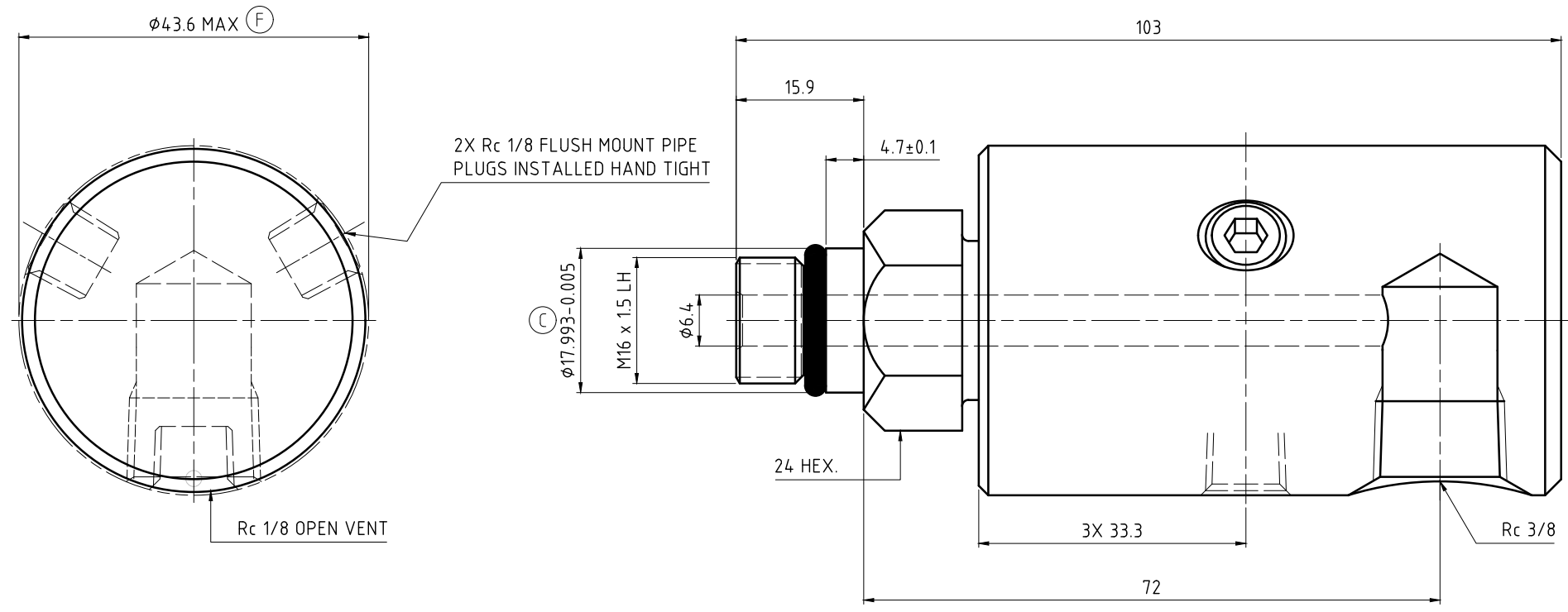


CONFIDENTIAL
 THIS DOCUMENT CONTAINS CONFIDENTIAL AND PROPRIETARY
 INFORMATION OF DEUBLIN COMPANY. COPYING, USE,
 TRANSMISSION, DISTRIBUTION, AND DISCLOSURE ARE SUBJECT
 TO THE TERMS AND CONDITIONS CONTAINED IN YOUR
 AGREEMENT WITH DEUBLIN COMPANY. ALL RIGHTS RESERVED.



OPERATING DATA			
MEDIA		COOLANT	MQL
PRESSURE	MAXIMUM	105 bar	10 bar
	MINIMUM	- bar	- bar
FLOW RATE	MAXIMUM	20 L/min	- NL/sec
	MINIMUM	- L/min	- NL/sec
TEMPERATURE	MAXIMUM	70 °C	70 °C
	MINIMUM	5 °C	5 °C
MAXIMUM SPEED		15000 min ⁻¹	15000 min ⁻¹
DRY RUN		SEE 040-736 (E)	

DEUBLIN
 Engineered for Performance

PROJECTION:

SCALE: 2:1

MATERIAL: INTERFACE CONTROL DRAWING

REV.	DESCRIPTION	DATE	SS	DRN.	NAME
F	ADD MAX	033540	06/15	SS	
E	ADDED DRY RUN SPEC	024132	03/14	CR	GA
D	REV. CUST INTERFACE	015597	10/11	LG	ENGR. GA
C	UPATED DRY RUN CAPABILITY	012809	01/11	AL	APPD. GA
B	REV. PORTS & VENTS	011482	10/10	LG	
A	ADDED FAIL LAYER	006261	6/09	GA	

TITLE: DEUBLIN UNION

NO. 1101-632-343

SHEET A3

UNLESS SPECIFICALLY TOLERANCED, ALL DIMENSIONS ARE CONSIDERED REFERENCE