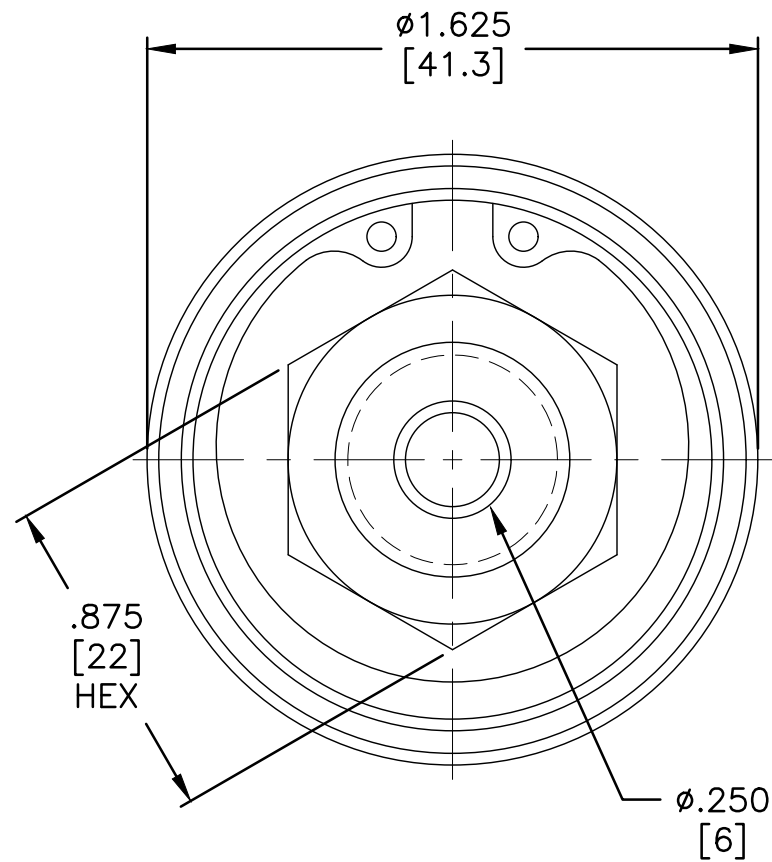
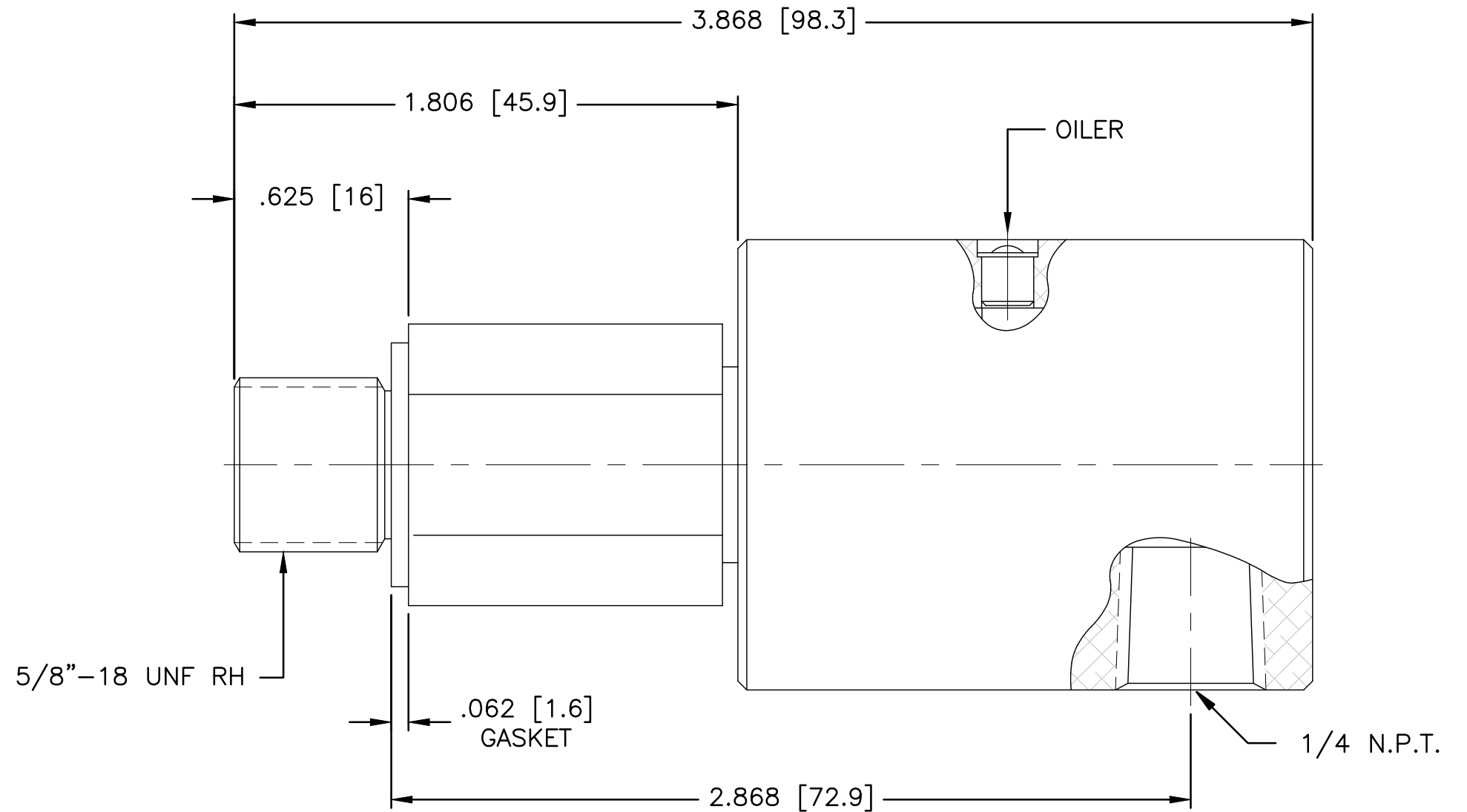


NOTES:

1 - WHEN ORDERING FROM DEUBLIN USE PART NUMBER: 1102-070-078.



OPERATING DATA	
MAX AIR PRESSURE	150 PSI
MAX HYD. PRESSURE	1000 PSI
MAX SPEED	3500 RPM
MAX TEMPERATURE	250° F



CONFIDENTIAL
 THIS DOCUMENT CONTAINS PROPRIETARY INFORMATION AND IS NOT TO BE TRANSMITTED, REPRODUCED, USED OR DISCLOSED TO ANYONE WITHOUT THE WRITTEN PERMISSION OF THE DEUBLIN COMPANY.

LET.	REVISION	ECO	DATE	SIGN

EQUIPMENT REF:

SCALE	2:1	
DRN	RM	04/22/03
ENGR	RC	04/22/03
APPD	RC	04/22/03

UNLESS OTHERWISE SPECIFIED:
 1. UNTOLERANCED DIMENSIONS ±.010
 2. MACHINED DIAS CONCENTRIC WITHIN .005 T.I.R.
 3. COUNTERSINK TAPPED HOLES TO FIRST THREAD
 4. REMOVE BURRS AND SHARP CORNERS .010 MAX
 5. ANGLE TOLERANCE ± 1/2°
 6. ALL DIMENSIONS ARE FINISHED
 7. DIP PARTS IN CORROSION PREVENTATIVE OIL

DEUBLIN COMPANY
 WAUKEGAN, ILLINOIS, U.S.A.

TITLE: **DEUBLIN UNION**

NO. **1102-070-078-IC** C.A.D DRAWING