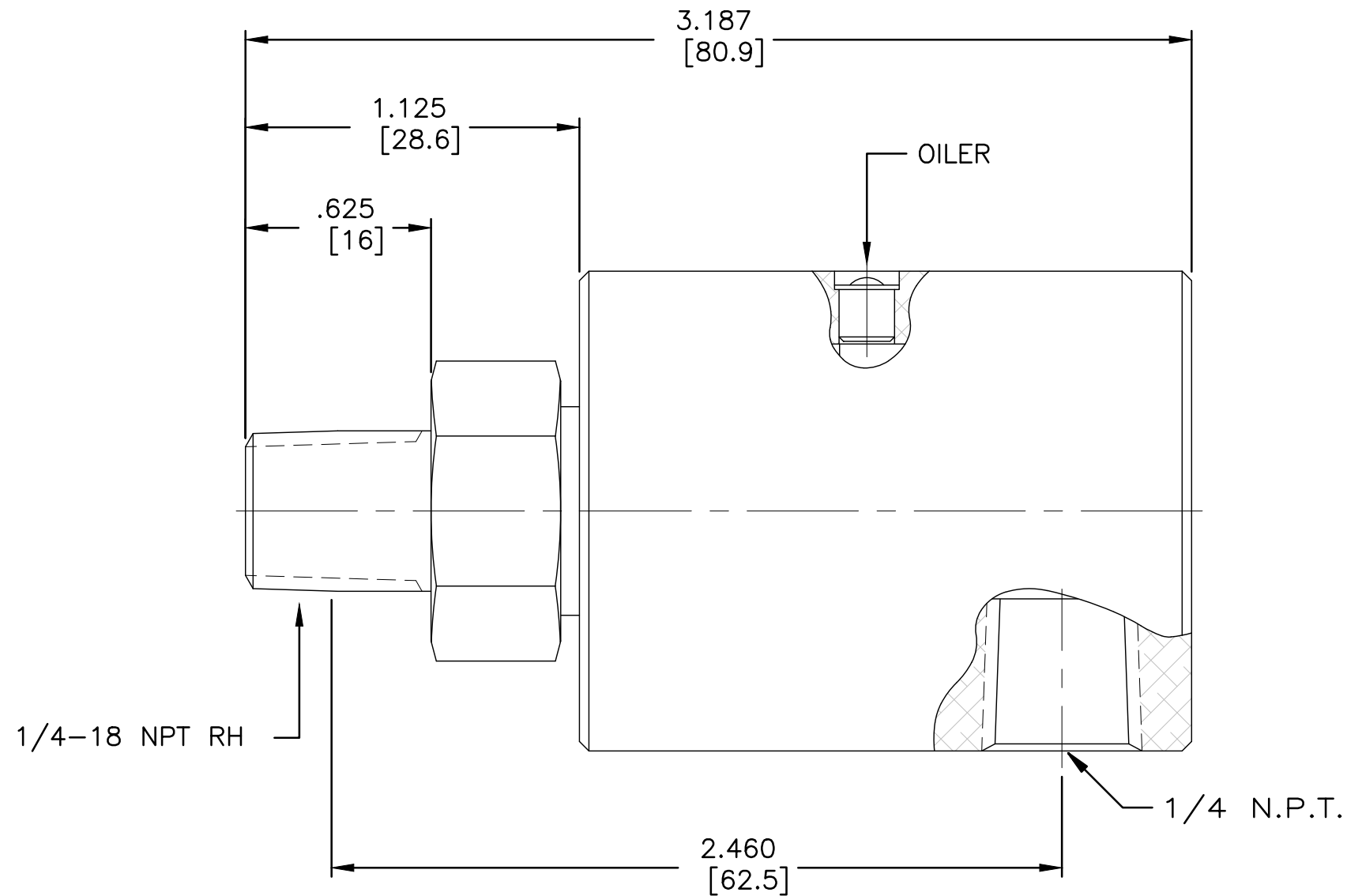
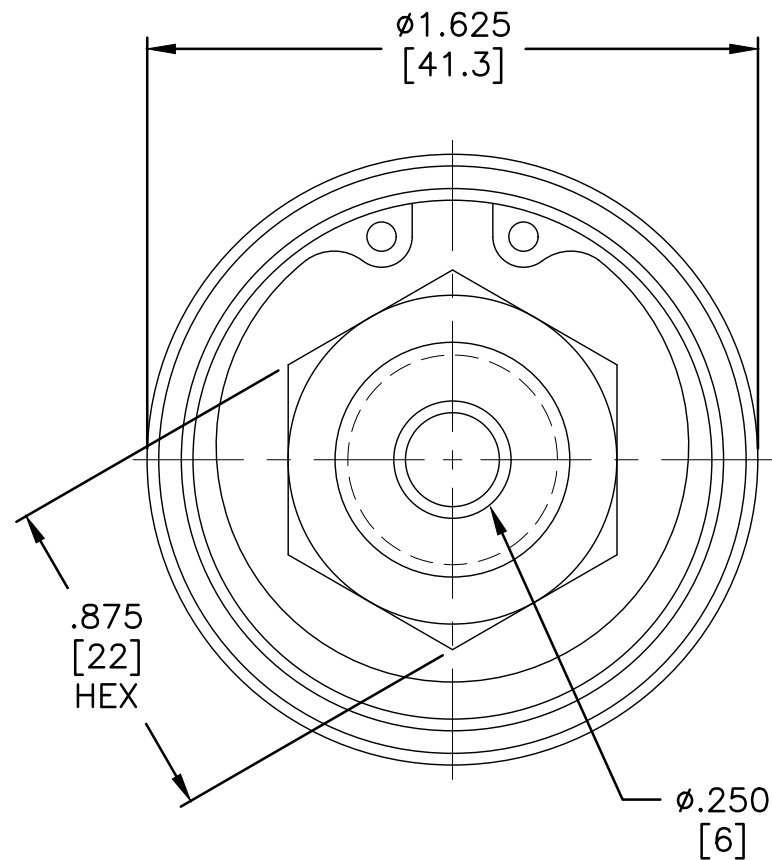


NOTES:

1 - WHEN ORDERING FROM DEUBLIN USE PART NUMBER 1102-070-081.



OPERATING DATA		
MEDIA	AIR & HYDRAULIC	
MAX AIR PRESSURE	150 PSI	10 bar
MAX VACUUM	28" Hg	6.7 kPa
MAX HYD. PRESSURE	1000 PSI	70 bar
MAX SPEED	1500 RPM	1500/min
MAX TEMPERATURE	250°F	121°C

CONFIDENTIAL
 THIS DOCUMENT CONTAINS PROPRIETARY INFORMATION AND IS NOT TO BE TRANSMITTED, REPRODUCED, USED OR DISCLOSED TO ANYONE WITHOUT THE WRITTEN PERMISSION OF THE DEUBLIN COMPANY.

					EQUIPMENT REF:		SCALE	2:1	
							DRN	RM	08/05/02
							ENGR		
							APPD		
					UNLESS OTHERWISE SPECIFIED: 1. UNTOLERANCED DIMENSIONS ±.010 2. MACHINED DIAS CONCENTRIC WITHIN .005 T.I.R. 3. COUNTERSINK TAPPED HOLES TO FIRST THREAD 4. REMOVE BURRS AND SHARP CORNERS .010 MAX 5. ANGLE TOLERANCE ± 1/2° 6. ALL DIMENSIONS ARE FINISHED 7. DIP PARTS IN CORROSION PREVENTATIVE OIL				
LET.	REVISION	ECO	DATE	SIGN			TITLE: INTERFACE CONTROL DRAWING FOR DEUBLIN UNION 1102-070-081		
							NO.		C.A.D DRAWING
							1102-070-081-IC		

