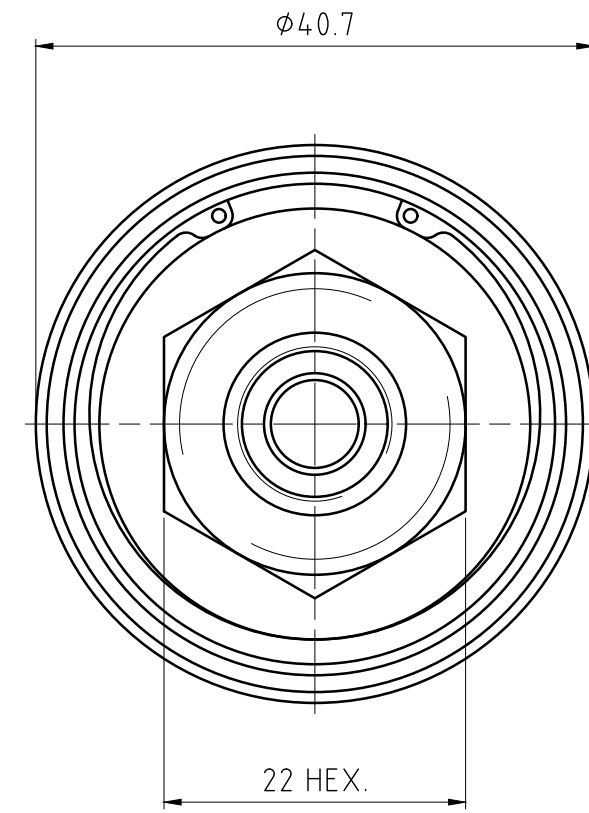
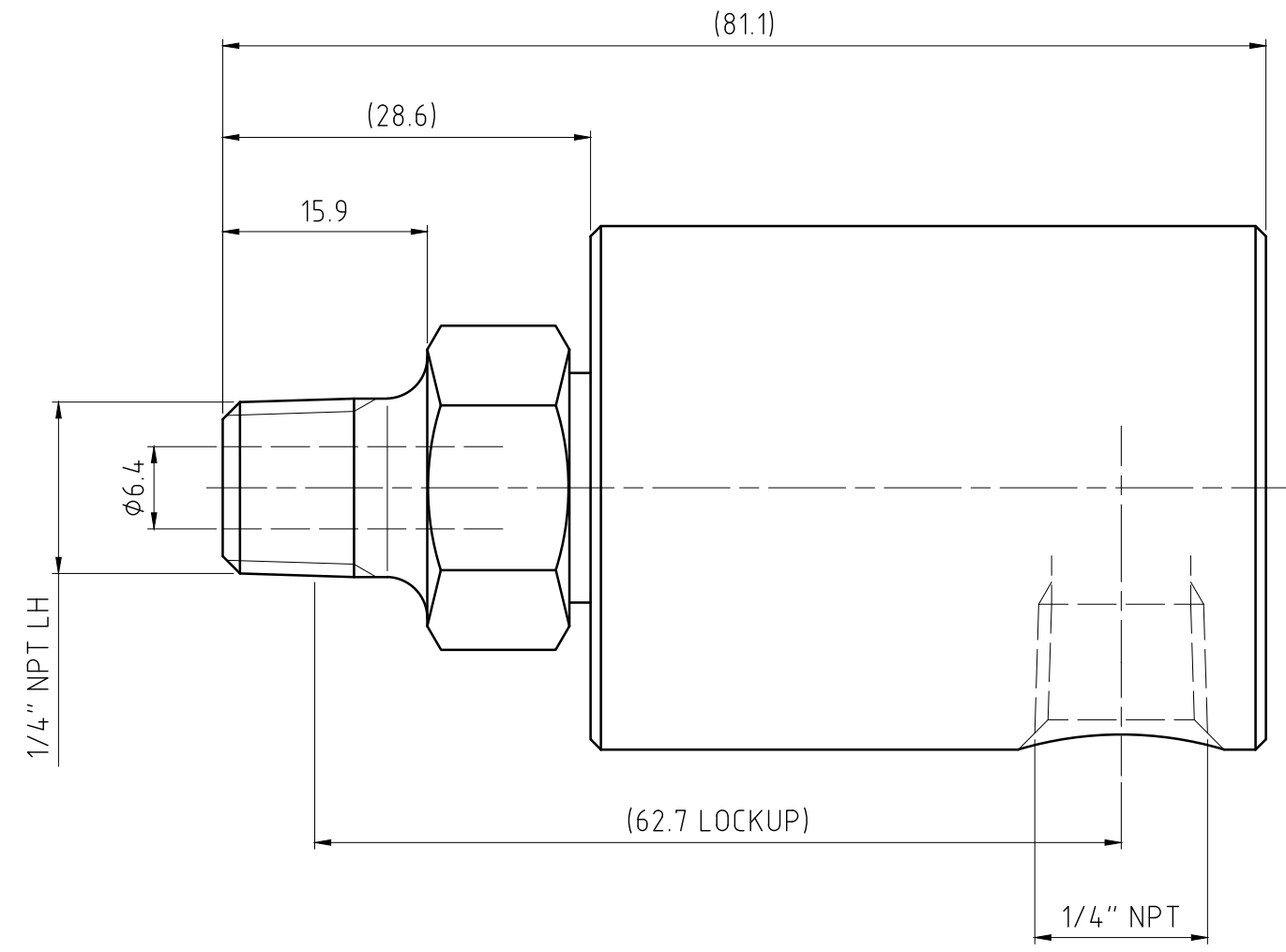


CONFIDENTIAL
 THIS DOCUMENT CONTAINS CONFIDENTIAL AND PROPRIETARY
 INFORMATION OF DEUBLIN COMPANY. COPYING, USE,
 TRANSMISSION, DISTRIBUTION, AND DISCLOSURE ARE SUBJECT
 TO THE TERMS AND CONDITIONS CONTAINED IN YOUR
 AGREEMENT WITH DEUBLIN COMPANY. ALL RIGHTS RESERVED.



OPERATING DATA			
MEDIA	AIR	HYDRAULIC	VACUUM
MAX. PRESSURE	10 bar	70 bar	
MAX. VACUUM			6.7 KPa
MAX. SPEED	1500/min		
MAX. MEDIA TEMPERATURE	120°C		

		PROJECTION:	SCALE: 2:1			
		MATERIAL:				
		DATE: 01/16/17 NAME: GA	TITLE: INTERFACE CONTROL DRAWING DEUBLIN UNION 1102-070-082			
		ENGR. 01/16/17 NAME: TW				
		APPD.				
		NO. 1102-070-082-IC				
		SHEET A3				
ISSUE	MODIFICATION	ECO	DATE	SIGN	UNLESS SPECIFICALLY TOLERANCED, ALL DIMENSIONS ARE CONSIDERED REFERENCE	