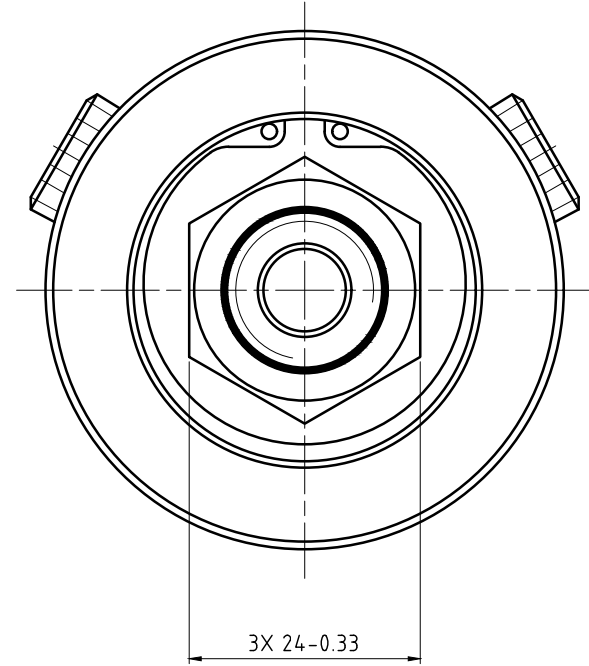
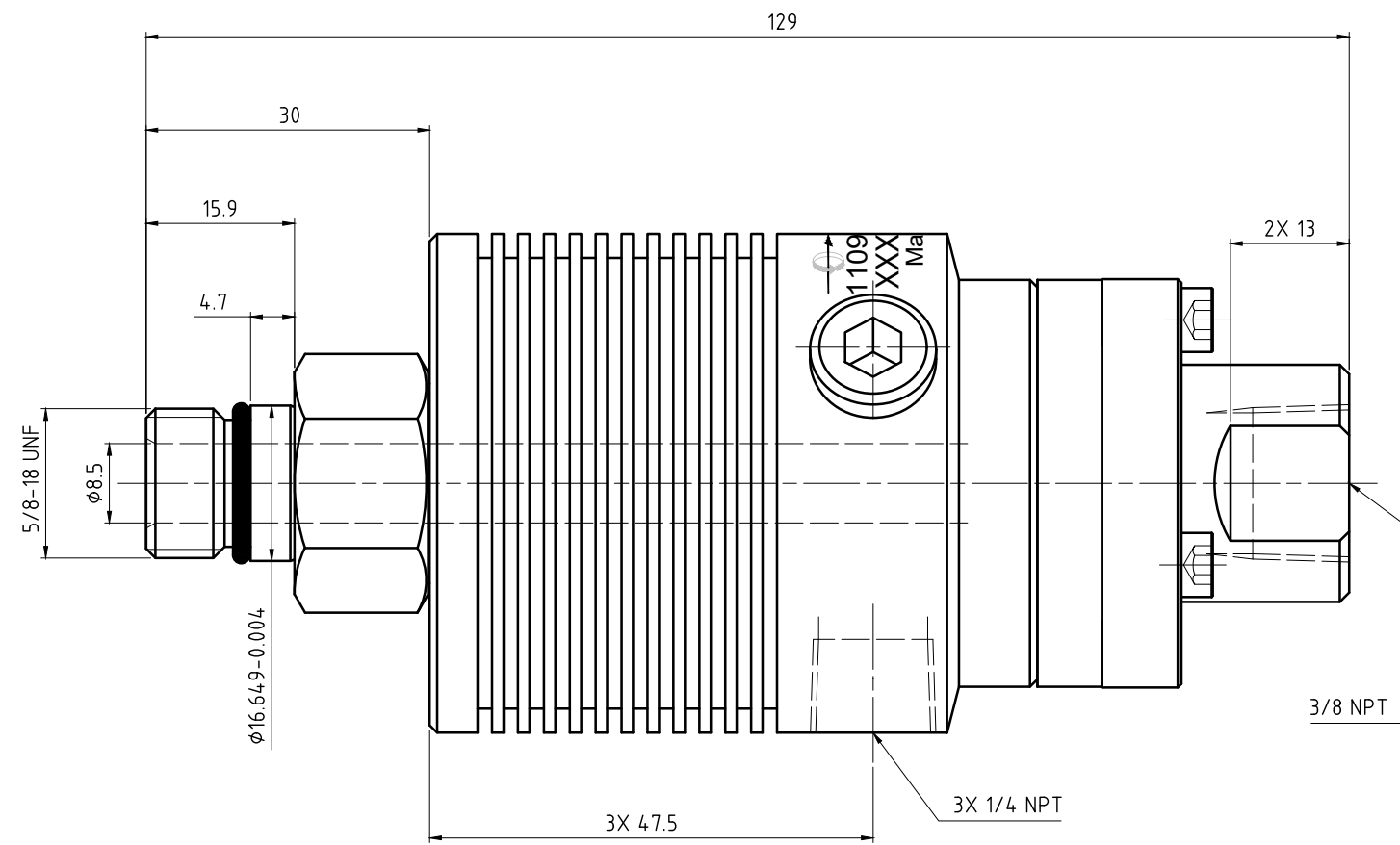
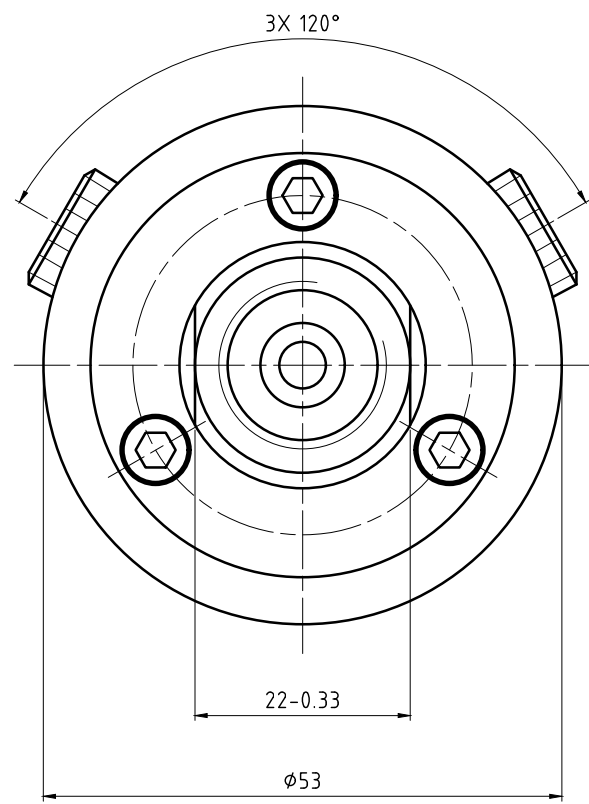
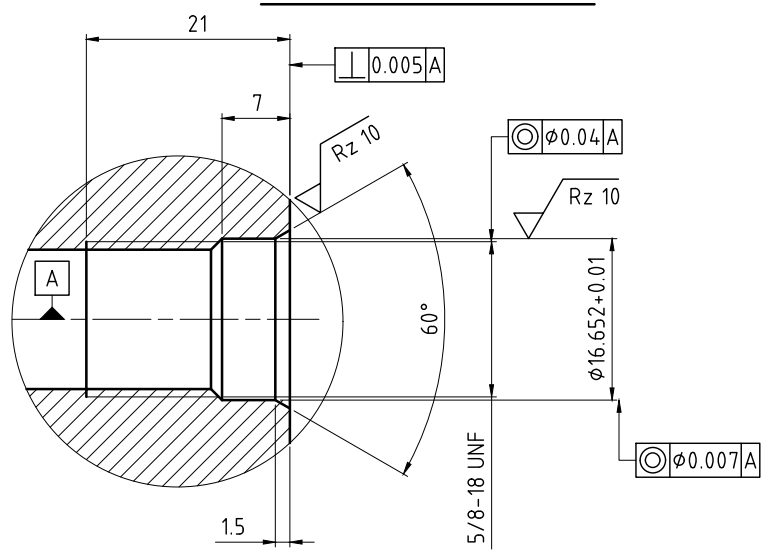


CONFIDENTIAL  
 THIS DOCUMENT CONTAINS CONFIDENTIAL AND PROPRIETARY  
 INFORMATION OF DEUBLIN COMPANY. COPYING, USE,  
 TRANSMISSION, DISTRIBUTION, AND DISCLOSURE ARE SUBJECT TO  
 THE TERMS AND CONDITIONS CONTAINED IN YOUR AGREEMENT WITH  
 DEUBLIN COMPANY. ALL RIGHTS RESERVED.



**CUSTOMER INTERFACE**



OPERATING DATA			
MEDIA		COOLANT	MQL
MEDIA	MAXIMUM	105 bar	10 bar
PRESSURE	MINIMUM	1 bar	1 bar
FLOW RATE	MAXIMUM	82 L/min	3810 NL/min
	MINIMUM	6 L/min	360 NL/min
TEMPERATURE	MAXIMUM	70 °C	70 °C
	MINIMUM	5 °C	5 °C
MAXIMUM SPEED		20000 min <sup>-1</sup>	20000 min <sup>-1</sup>
DRY RUN	UNPRESSURIZED ONLY		
RECOMMENDED FILTRATION	ISO 4406 CLASS 17/15/12		

		PROJECTION:	SCALE: 2:1
		MATERIAL: INTERFACE CONTROL DRAWING	
		DATE: 11.09.02 NAME: Schmid	TITLE: DEUBLIN UNION
		ENGR: 11.09.02 NAME: Dahl	
		APPD.	
B ADDITIONAL LAYER 031349 01/15 RA			NO. 1109-011-164
A UPDATED DWG 025297 01/14 RA			SHEET A2
ISSUE MODIFICATION ECO DATE SIGN			UNLESS SPECIFICALLY TOLERANCED, ALL DIMENSIONS ARE CONSIDERED REFERENCE