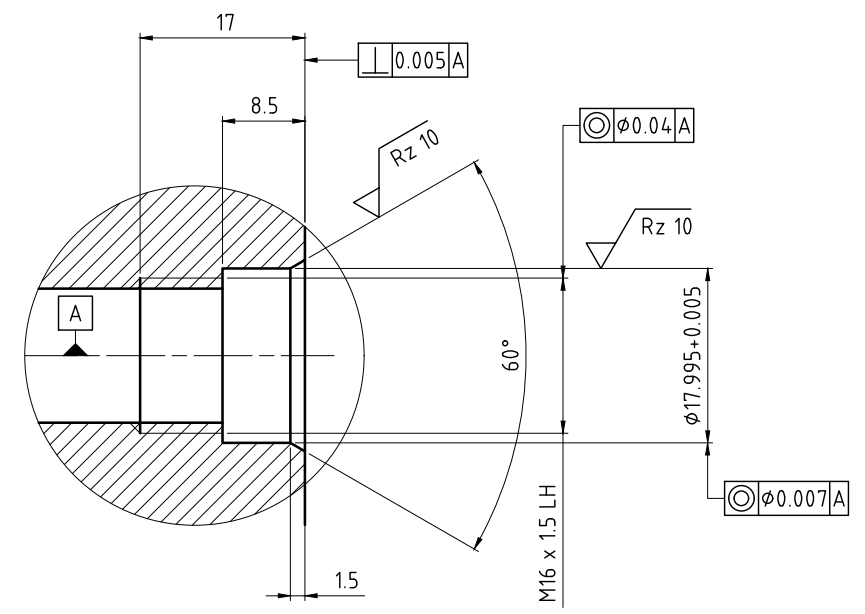


CUSTOMER INTERFACE



OPERATING DATA			
MEDIA		COOLANT	MQL
MEDIA PRESSURE	MAXIMUM	105 bar	10 bar
	MINIMUM	1 bar	1 bar
FLOW RATE	MAXIMUM	82 L/min	3810 NL/min
	MINIMUM	6 L/min	360 NL/min
TEMPERATURE	MAXIMUM	70 °C	70 °C
	MINIMUM	5 °C	5 °C
MAXIMUM SPEED		20000 min ⁻¹	20000 min ⁻¹
DRY RUN	UNPRESSURIZED ONLY		
RECOMMENDED FILTRATION	ISO 4406 CLASS 17/15/12		

		PROJECTION:	SCALE: 2:1
			MATERIAL: INTERFACE CONTROL DRAWING
		DATE: 03/31/06	TITLE: DEUBLIN UNION
		NAME: RM	
		ENGR: 03/31/06	
		APPD: ARS	
B	ADD ITALIAN LAYER	031349	01/15 RA
A	UPDATED DWG	025297	01/14 RA
ISSUE	MODIFICATION	ECO	DATE SIGN
UNLESS SPECIFICALLY TOLERANCED, ALL DIMENSIONS ARE CONSIDERED REFERENCE			NO. 1109-011-188
			SHEET A2