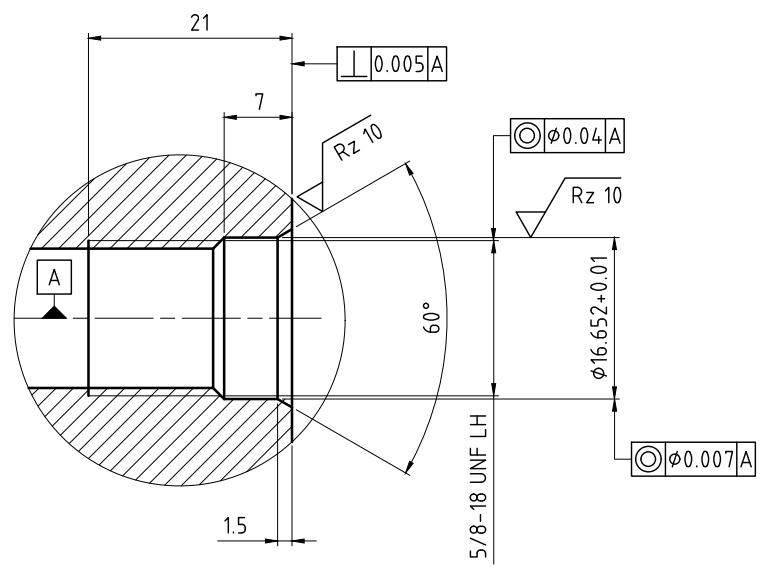
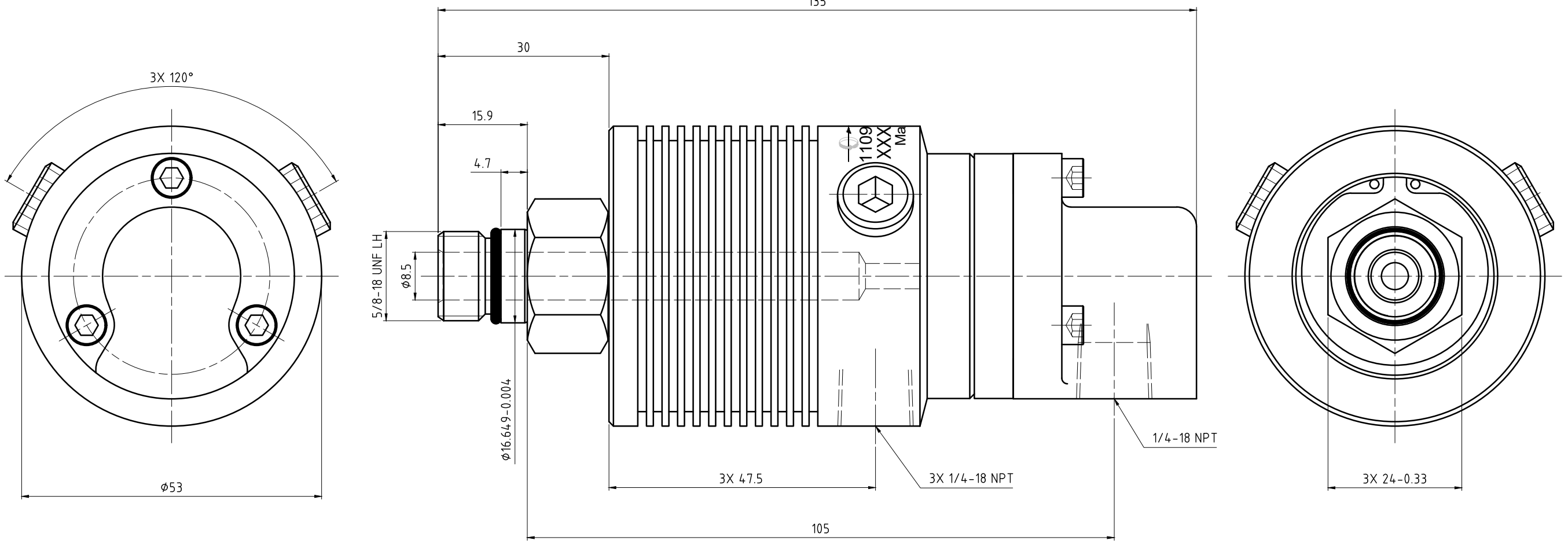


CONFIDENTIAL
 THIS DOCUMENT CONTAINS CONFIDENTIAL AND PROPRIETARY
 INFORMATION OF DEUBLIN COMPANY. COPYING, USE,
 TRANSMISSION, DISTRIBUTION, AND DISCLOSURE ARE SUBJECT TO
 THE TERMS AND CONDITIONS CONTAINED IN YOUR AGREEMENT WITH
 DEUBLIN COMPANY. ALL RIGHTS RESERVED.



CUSTOMER INTERFACE

OPERATING DATA			
MEDIA		COOLANT	MQL
MEDIA PRESSURE	MAXIMUM	140 bar	10 bar
	MINIMUM	1 bar	1 bar
FLOW RATE	MAXIMUM	24.3 L/min	1128 NL/min
	MINIMUM	1 L/min	160 NL/min
TEMPERATURE	MAXIMUM	70 °C	70 °C
	MINIMUM	5 °C	5 °C
MAXIMUM SPEED		20000 min ⁻¹	20000 min ⁻¹
DRY RUN	UNPRESSURIZED ONLY		
RECOMMENDED FILTRATION	ISO 4406 CLASS 17/15/12		

		PROJECTION:	SCALE: 2:1
			MATERIAL: INTERFACE CONTROL DRAWING
		DATE: 06/22/16	TITLE: DEUBLIN UNION
		NAME: RM	
		ENGR: 06/22/16	
		NAME: RM	
		APPD:	
		NO. 1109-013-196	SHEET A2
ISSUE	MODIFICATION	ECO	DATE
			SIGN

UNLESS SPECIFICALLY TOLERANCED, ALL DIMENSIONS ARE CONSIDERED REFERENCE