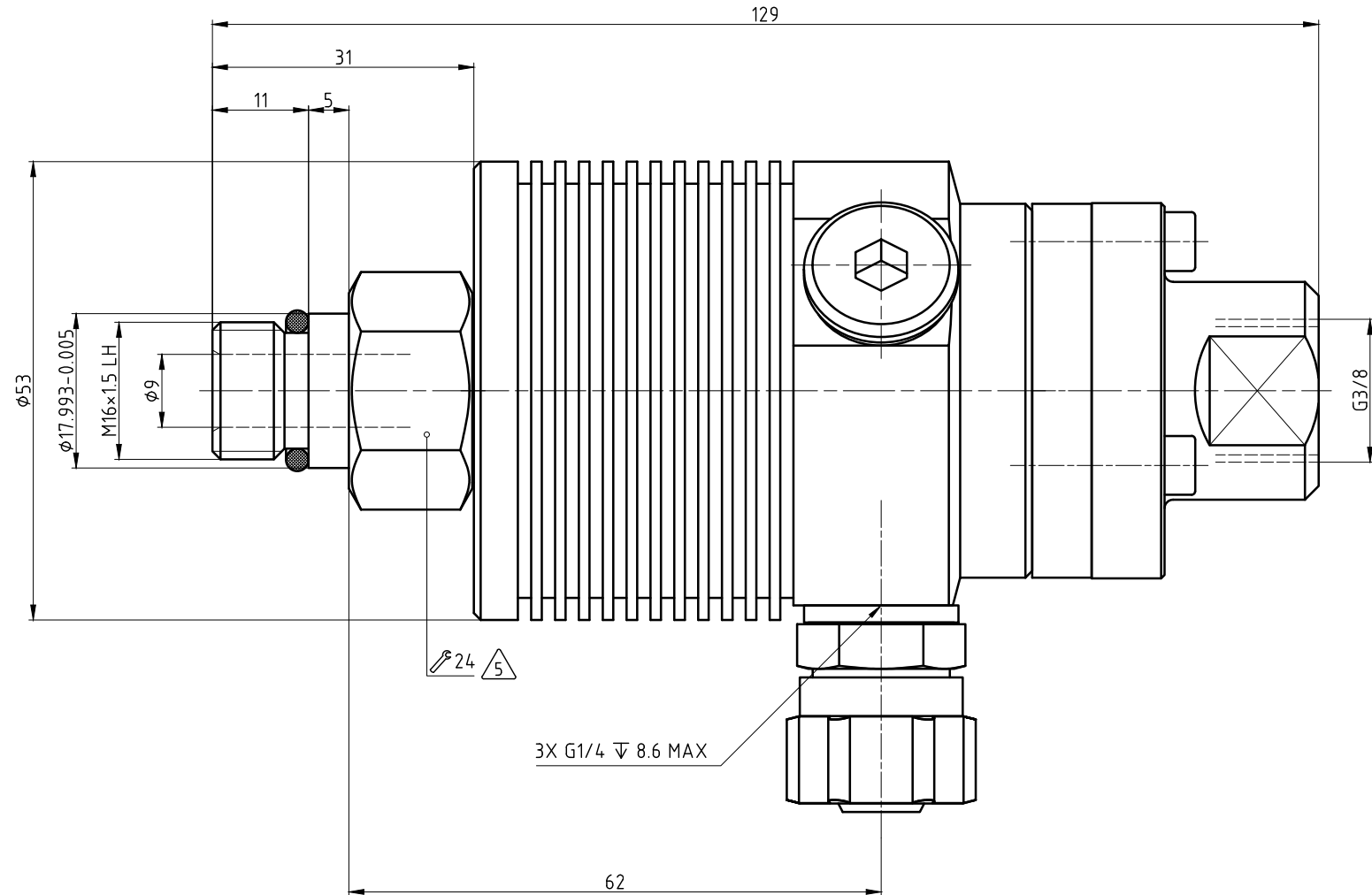
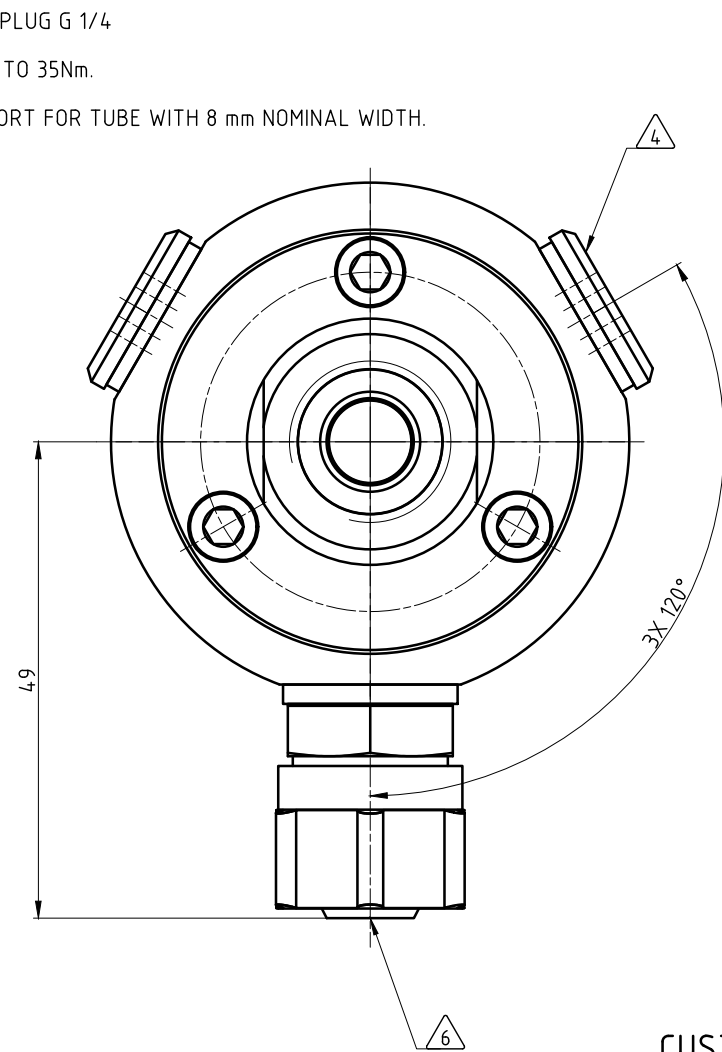


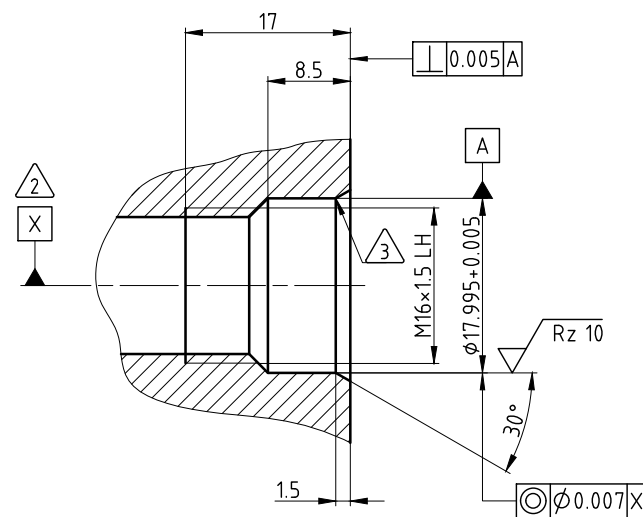
NOTES:

1 - CONTACT DEUBLIN OR VISIT WWW.DEUBLIN.COM
 FOR INSTRUCTION MANUAL: 040-553

- △2 - SPINDLE BEARING ARRANGEMENT
- △3 - ROUNDED
- △4 - 2X PIPE PLUG G 1/4
- △5 - TORQUE TO 35Nm.
- △6 - DRAIN PORT FOR TUBE WITH 8 mm NOMINAL WIDTH.



CUSTOMER INTERFACE



| OPERATING DATA | | |
|-----------------------------|-------------------------|-------------------------|
| MEDIA | COOLANT | MQL |
| PRESSURE MAX. | 105 bar | 10 bar |
| SPEED MAX. | 20000 min ⁻¹ | 20000 min ⁻¹ |
| TEMPERATURE MAX. | 71°C | 71°C |
| FLOW RATE MAX. | 82 l/min | 2550 NI/min |
| DRY RUN (WITHOUT ANY MEDIA) | UNLIMITED | |



SCALE: 2:1
 MATERIAL: INTERFACE CONTROL DRAWING

| DATE | NAME |
|------------------|----------|
| DRN: 06.11.2007 | F. Dahl |
| ENGR: 06.11.2007 | Ch. Wolf |
| APPD. | |

TITLE: DEUBLIN ROTATING UNION
 DEUBLIN Drehdurchführung

| ISSUE | MODIFICATION | ECO | DATE | SIGN |
|-------|--------------|--------|----------|------|
| B | UPDATE TO MS | 022633 | 02.04.13 | CD |
| A | WAS 40 Nm | 009015 | 22.02.10 | FD |

NO. 1109-021-188

SHEET A2

UNLESS SPECIFICALLY TOLERANCED, ALL DIMENSIONS ARE CONSIDERED REFERENCE