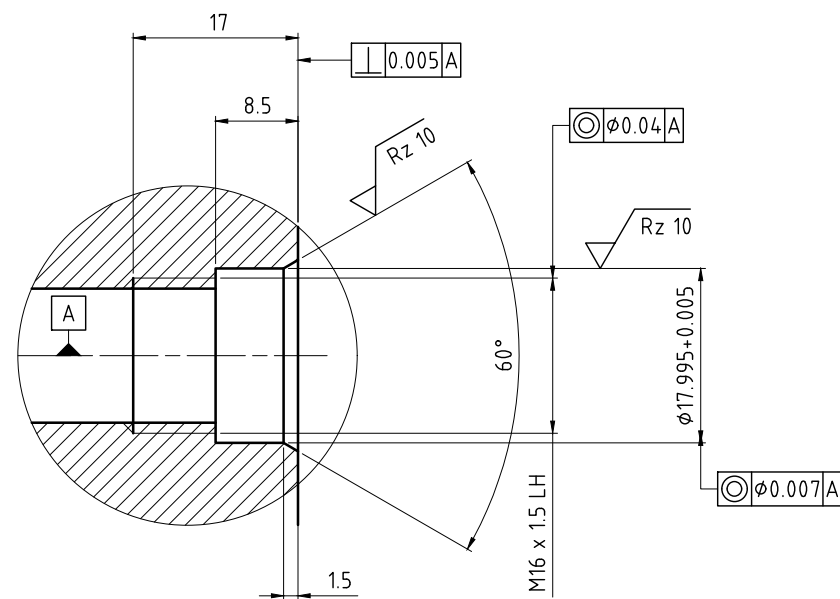


**CUSTOMER INTERFACE**



OPERATING DATA			
MEDIA		COOLANT	MQL
MEDIA	MAXIMUM	140 bar	10 bar
PRESSURE	MINIMUM	1 bar	1 bar
FLOW RATE	MAXIMUM	24.3 L/min	1128 NL/min
	MINIMUM	1 L/min	160 NL/min
TEMPERATURE	MAXIMUM	70 °C	70 °C
	MINIMUM	5 °C	5 °C
MAXIMUM SPEED		20000 min <sup>-1</sup>	20000 min <sup>-1</sup>
DRY RUN	UNPRESSURIZED ONLY		
RECOMMENDED FILTRATION	ISO 4406 CLASS 17/15/12		

		PROJECTION:	SCALE: 2:1
			MATERIAL: INTERFACE CONTROL DRAWING
		DATE	NAME
		DRN. 07.11.2007	F. Dahl
		ENGR. 07.11.2007	Ch. Wolf
		DATE	TITLE: DEUBLIN UNION
		ECO	NO. 1109-023-212
		DATE	SHEET A2
		SIGN	

UNLESS SPECIFICALLY TOLERANCED, ALL DIMENSIONS ARE CONSIDERED REFERENCE