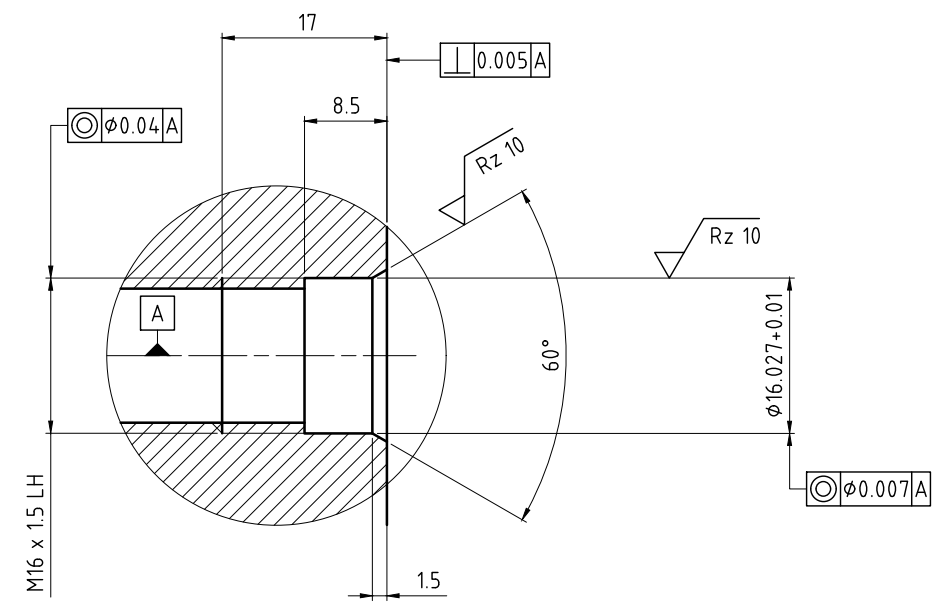


**CUSTOMER INTERFACE**



| OPERATING DATA         |                         |                         |                         |
|------------------------|-------------------------|-------------------------|-------------------------|
|                        |                         | COOLANT                 | MQL                     |
| MEDIA PRESSURE         | MAXIMUM                 | 105 bar                 | 10 bar                  |
|                        | MINIMUM                 | 1 bar                   | 1 bar                   |
| FLOW RATE              | MAXIMUM                 | 82 L/min                | 3810 NL/min             |
|                        | MINIMUM                 | 6 L/min                 | 360 NL/min              |
| TEMPERATURE            | MAXIMUM                 | 70 °C                   | 70 °C                   |
|                        | MINIMUM                 | 5 °C                    | 5 °C                    |
| MAXIMUM SPEED          |                         | 20000 min <sup>-1</sup> | 20000 min <sup>-1</sup> |
| DRY RUN                | UNPRESSURIZED ONLY      |                         |                         |
| RECOMMENDED FILTRATION | ISO 4406 CLASS 17/15/12 |                         |                         |

|                                     |  |                                     |   |
|-------------------------------------|--|-------------------------------------|---|
|                                     |  | PROJECTION:                         | SCALE: 2:1  |
|                                     |  | MATERIAL: INTERFACE CONTROL DRAWING |   |
|                                     |  | DATE: 06.02.2013<br>NAME: CW        | TITLE: DEUBLIN UNION  |
|                                     |  | ENGR: 06.02.2013<br>CD              |   |
|                                     |  | APPD.                               |   |
| B ADD ITALIAN LAYER 031349 01/15 RA |  |                                     | NO. 1109-041-192  |
| A UPDATED DWG 025297 01/14 RA       |  |                                     | SHEET A2  |
| ISSUE MODIFICATION ECO DATE SIGN    |  |                                     | UNLESS SPECIFICALLY TOLERANCED, ALL DIMENSIONS ARE CONSIDERED REFERENCE |