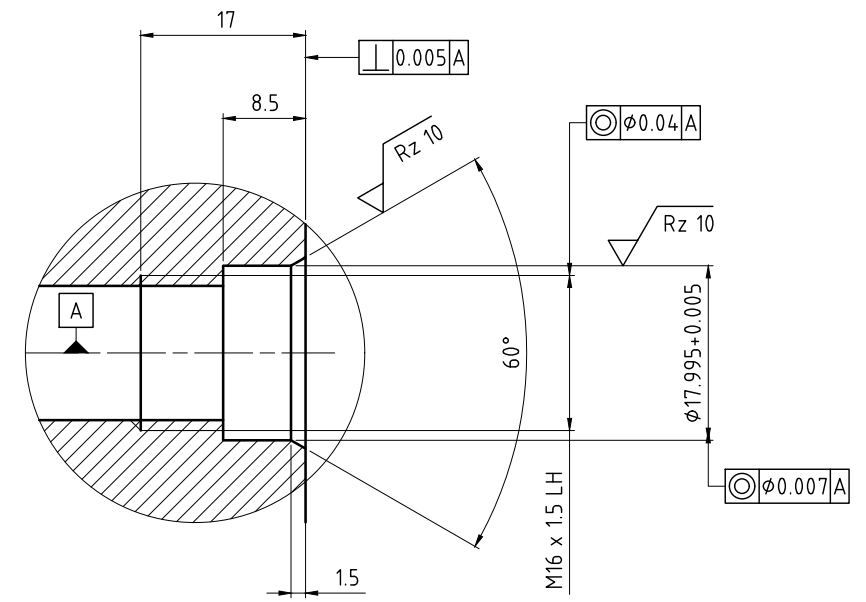


CUSTOMER INTERFACE



| OPERATING DATA | | | |
|------------------------|---------|-------------------------|-------------------------|
| MEDIA | | COOLANT | MQL |
| MEDIA | MAXIMUM | 140 bar | 10 bar |
| PRESSURE | MINIMUM | 1 bar | 1 bar |
| FLOW RATE | MAXIMUM | 24.3 L/min | 1128 NL/min |
| | MINIMUM | 1 L/min | 160 NL/min |
| TEMPERATURE | MAXIMUM | 70 °C | 70 °C |
| | MINIMUM | 5 °C | 5 °C |
| MAXIMUM SPEED | | 20000 min ⁻¹ | 20000 min ⁻¹ |
| DRY RUN | | UNPRESSURIZED ONLY | |
| RECOMMENDED FILTRATION | | ISO 4406 CLASS 17/15/12 | |

| | | | |
|--|--|--|-------------------------------------|
| | | PROJECTION: | SCALE: 2:1 |
| | | | MATERIAL: INTERFACE CONTROL DRAWING |
| | | DATE | NAME |
| | | DRN. 07/19/11 | N. Reyna |
| | | ENGR. 07/19/11 | S. Stasi |
| | | APPD. | |
| | | TITLE: DEUBLIN UNION | |
| | | NO. | 1109-043-412 |
| A UPDATE DWG 027386 04/14 RA ISSUE MODIFICATION ECO DATE SIGN | | UNLESS SPECIFICALLY TOLERANCED, ALL DIMENSIONS ARE CONSIDERED REFERENCE | |
| | | | SHEET A2 |