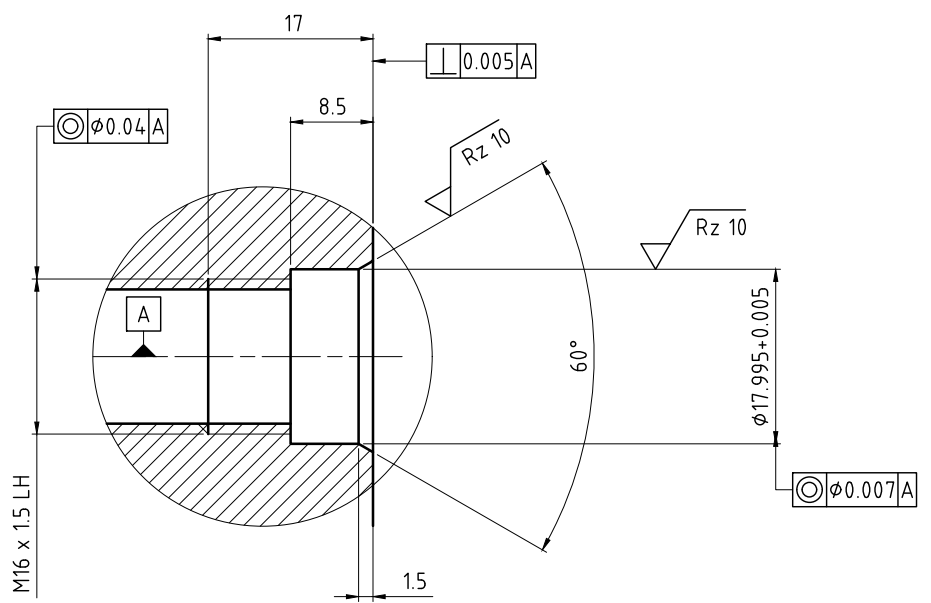


CUSTOMER INTERFACE



OPERATING DATA			
		COOLANT	MQL
MEDIA PRESSURE	MAXIMUM	140 bar	10 bar
	MINIMUM	1 bar	1 bar
FLOW RATE	MAXIMUM	24.3 L/min	1128 NL/min
	MINIMUM	1 L/min	160 NL/min
TEMPERATURE	MAXIMUM	70 °C	70 °C
	MINIMUM	5 °C	5 °C
MAXIMUM SPEED		20000 min ⁻¹	20000 min ⁻¹
DRY RUN	UNPRESSURIZED ONLY		
RECOMMENDED FILTRATION	ISO 4406 CLASS 17/15/12		

		PROJECTION:	SCALE: 2:1
			MATERIAL: INTERFACE CONTROL DRAWING
		DATE	NAME
		DRN. 09/03/02	SCHMID
		ENGR. 09/03/02	F.DAHL
		APPD.	
		TITLE: DEUBLIN UNION	
		NO. 1109-044-212	
		SHEET A2	
D	UPDATE DWG	027386	04/14 RA
C	UPDATE TO MS	002731	08/08 JK
ISSUE MODIFICATION		ECO	DATE SIGN

UNLESS SPECIFICALLY TOLERANCED, ALL DIMENSIONS ARE CONSIDERED REFERENCE