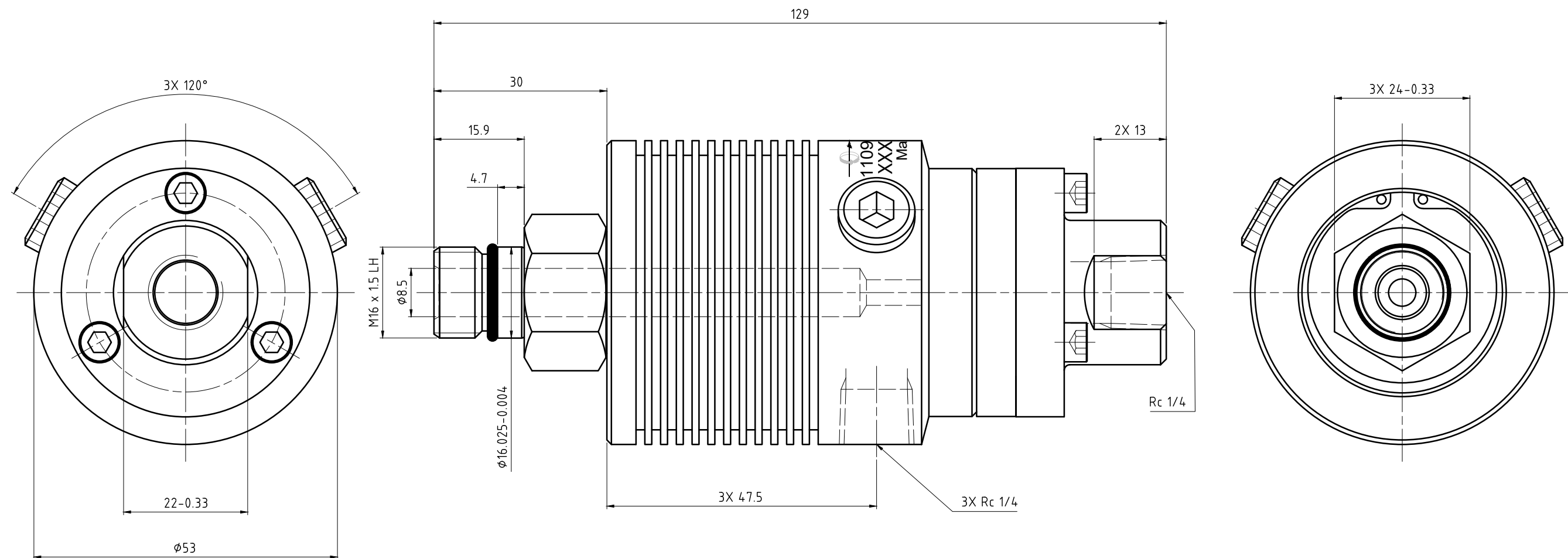
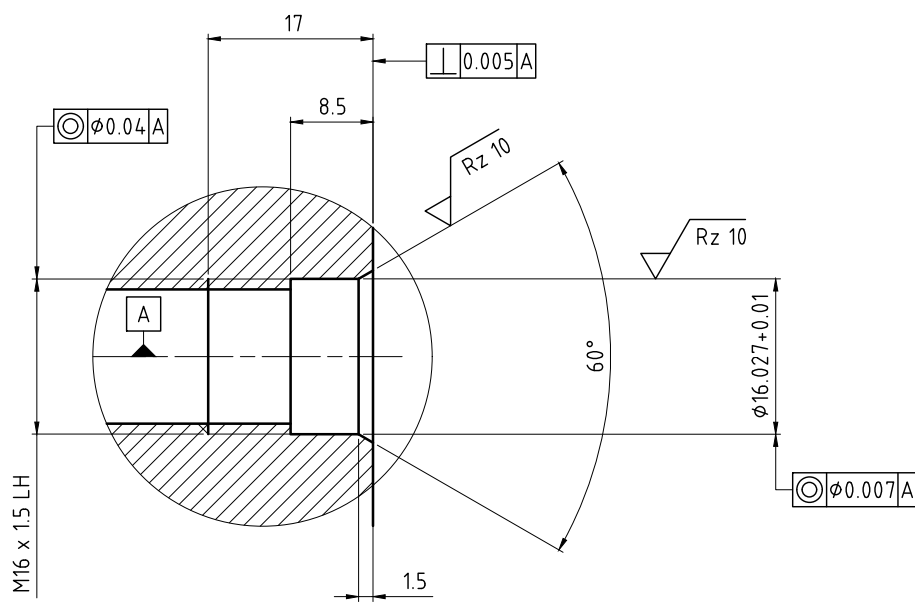


CONFIDENTIAL  
 THIS DOCUMENT CONTAINS CONFIDENTIAL AND PROPRIETARY  
 INFORMATION OF DEUBLIN COMPANY. COPYING, USE,  
 TRANSMISSION, DISTRIBUTION, AND DISCLOSURE ARE SUBJECT TO  
 THE TERMS AND CONDITIONS CONTAINED IN YOUR AGREEMENT WITH  
 DEUBLIN COMPANY. ALL RIGHTS RESERVED.



**CUSTOMER INTERFACE**



OPERATING DATA			
		COOLANT	MQL
MEDIA PRESSURE	MAXIMUM	140 bar	10 bar
	MINIMUM	1 bar	1 bar
FLOW RATE	MAXIMUM	24.3 L/min	1128 NL/min
	MINIMUM	1 L/min	160 NL/min
TEMPERATURE	MAXIMUM	70 °C	70 °C
	MINIMUM	5 °C	5 °C
MAXIMUM SPEED		20000 min <sup>-1</sup>	20000 min <sup>-1</sup>
DRY RUN	UNPRESSURIZED ONLY		
RECOMMENDED FILTRATION	ISO 4406 CLASS 17/15/12		

	PROJECTION:	SCALE: 2:1	MATERIAL: INTERFACE CONTROL DRAWING
	DATE: 08/21/03	NAME: LG	TITLE: DEUBLIN UNION
	ENGR.		
	APPD.		
			NO. 1109-044-220
			SHEET A2

UNLESS SPECIFICALLY TOLERANCED, ALL DIMENSIONS ARE CONSIDERED REFERENCE