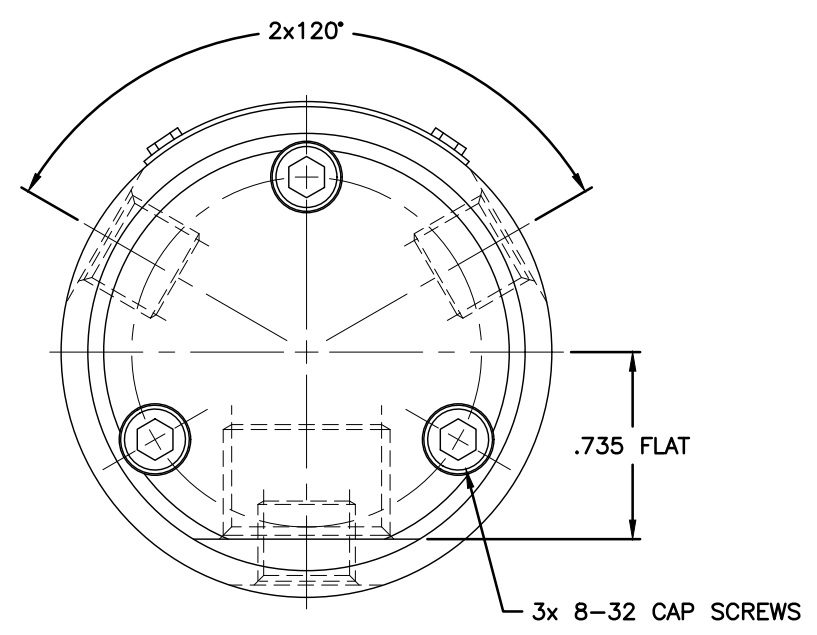
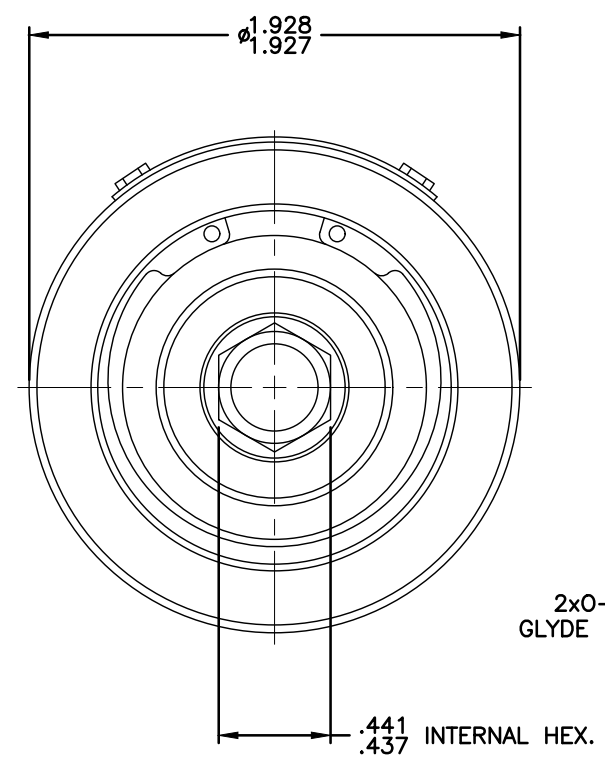
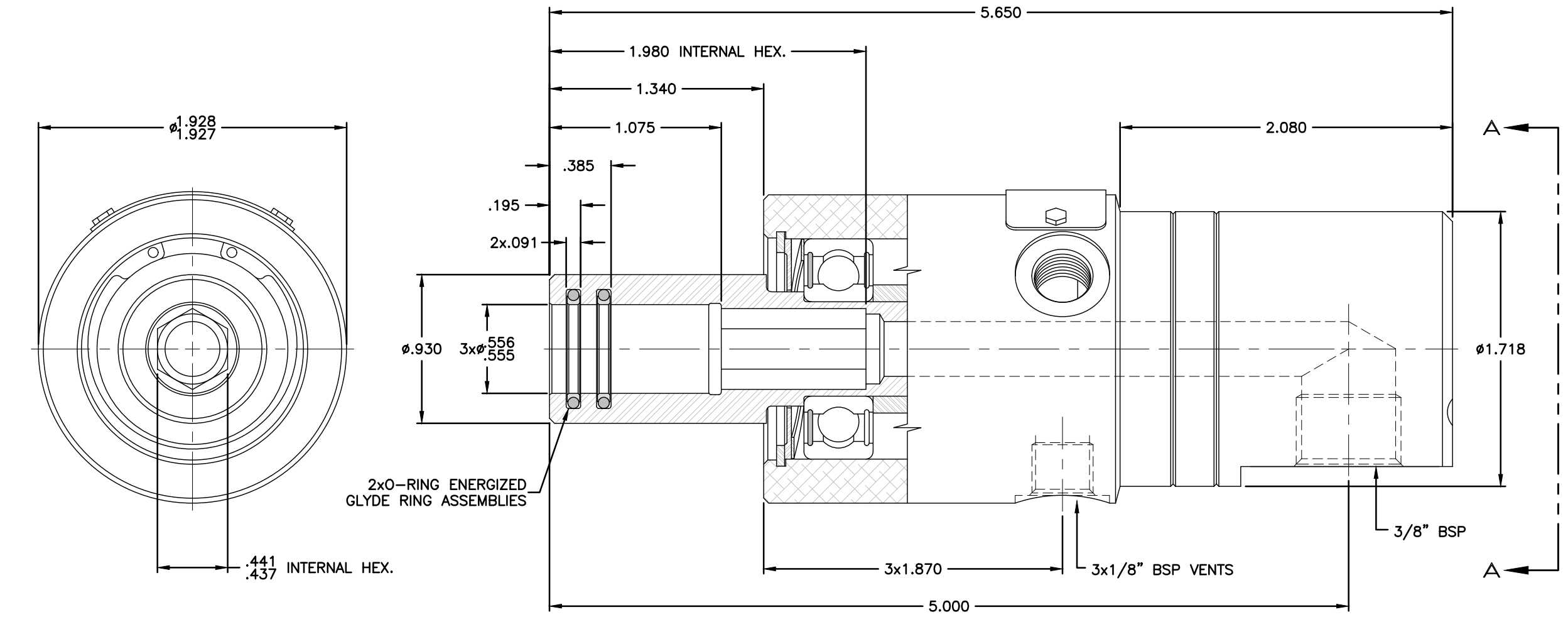


NOTES:  
 1 - WHEN ORDERING FROM DEUBLIN USE PART NUMBER: 1109-402-403

DWG. NO.  
 1109-402-403-IC



VIEW A-A

**OPERATING DATA:**  
 COOLANT SERVICE  
 1000 PSI [70 bar] MAX. PRESSURE  
 20,000 RPM [20,000/min] MAX. SPEED  
 160°F [70°C] MAX. TEMPERATURE  
 13 GPM [50 L/min] FLOW RATE  
 RECOMMENDED FILTRATION = 35 MICRONS

(A)

CONFIDENTIAL  
 THIS DOCUMENT CONTAINS CONFIDENTIAL AND PROPRIETARY INFORMATION OF DEUBLIN COMPANY. COPYING, USE, TRANSMISSION, DISTRIBUTION, AND DISCLOSURE ARE SUBJECT TO THE TERMS AND CONDITIONS CONTAINED IN YOUR AGREEMENT WITH DEUBLIN COMPANY. ALL RIGHTS RESERVED.

**DEUBLIN** COMPANY  
 WAUKEGAN, ILLINOIS, U.S.A.

TITLE: INTERFACE CONTROL  
 DRAWING FOR DEUBLIN  
 UNION 1109-402-403

DWG. NO. 1109-402-403-IC  
 C.A.D. DRAWING

SCALE	2:1	DWG SIZE	C
DRN	GA	05/17/04	
ENGR	ZK	06/08/94	
APPD			
PART NO.	1109-402-403		
CUSTOMER			
A	PATENT ANNOTATION REMOVED	03/03/05/16	FD
LET.	REVISION	ECO	DATE SIGN

UNLESS SPECIFICALLY TOLERANCED, ALL DIMENSIONS ARE REFERENCE  
 DIMENSIONS IN [ ] ARE IN MILLIMETERS.