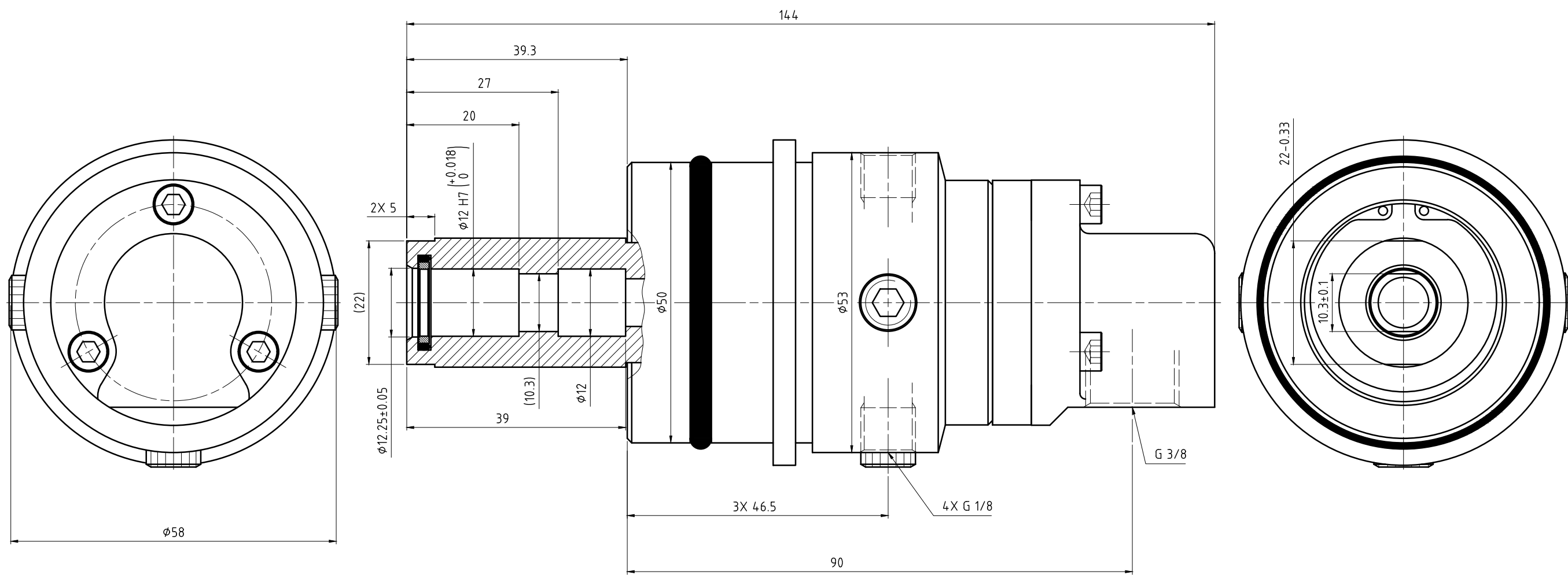


CONFIDENTIAL  
 THIS DOCUMENT CONTAINS CONFIDENTIAL AND PROPRIETARY  
 INFORMATION OF DEUBLIN COMPANY. COPYING, USE,  
 TRANSMISSION, DISTRIBUTION, AND DISCLOSURE ARE SUBJECT TO  
 THE TERMS AND CONDITIONS CONTAINED IN YOUR AGREEMENT WITH  
 DEUBLIN COMPANY. ALL RIGHTS RESERVED.



Ⓒ

OPERATING DATA			
MEDIA		COOLANT	MQL
MEDIA	MAXIMUM	70 bar	10 bar
PRESSURE	MINIMUM	1 bar	1 bar
FLOW RATE	MAXIMUM	50 L/min	3810 NL/min
	MINIMUM	6 L/min	360 NL/min
TEMPERATURE	MAXIMUM	70 °C	70 °C
	MINIMUM	5 °C	5 °C
MAXIMUM SPEED		15000 min <sup>-1</sup>	15000 min <sup>-1</sup>
DRY RUN		UNPRESSURIZED ONLY	
RECOMMENDED FILTRATION		ISO 4406 CLASS 17/15/12	

		PROJECTION:	SCALE: 2:1
			MATERIAL: INTERFACE CONTROL DRAWING
		DATE: 12.05.2003 NAME: WRS	TITLE: DEUBLIN UNION
		ENGR: 12.05.2003 NAME: Ch. Wolf	NO. 1109-410-248
		APPD.	SHEET A2
C OLD OP DATA 032926 04/15 RA	B ADD ITALIAN LAYER 031349 01/15 RA	A UPDATE DWG 025297 01/14 RA	UNLESS SPECIFICALLY TOLERANCED, ALL DIMENSIONS ARE CONSIDERED REFERENCE
ISSUE MODIFICATION ECO	DATE	SIGN	