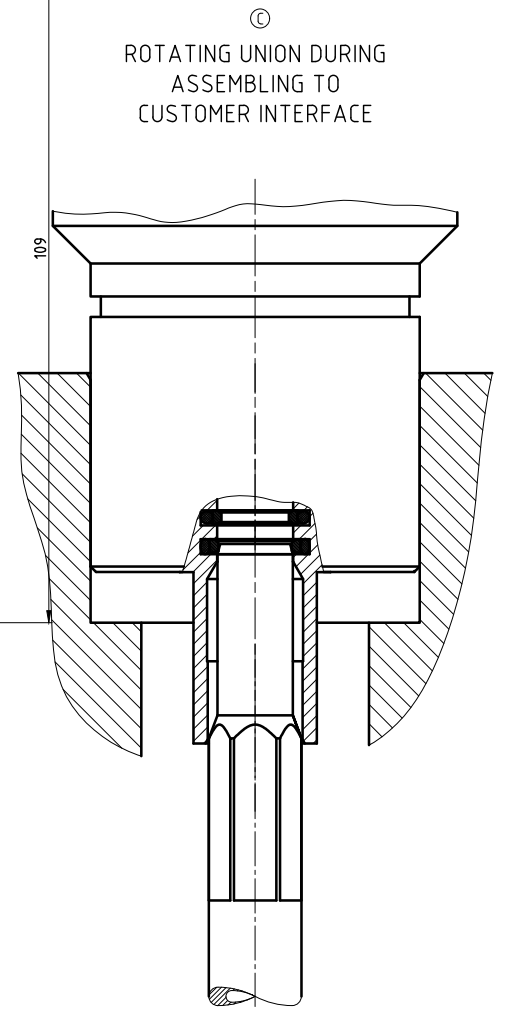
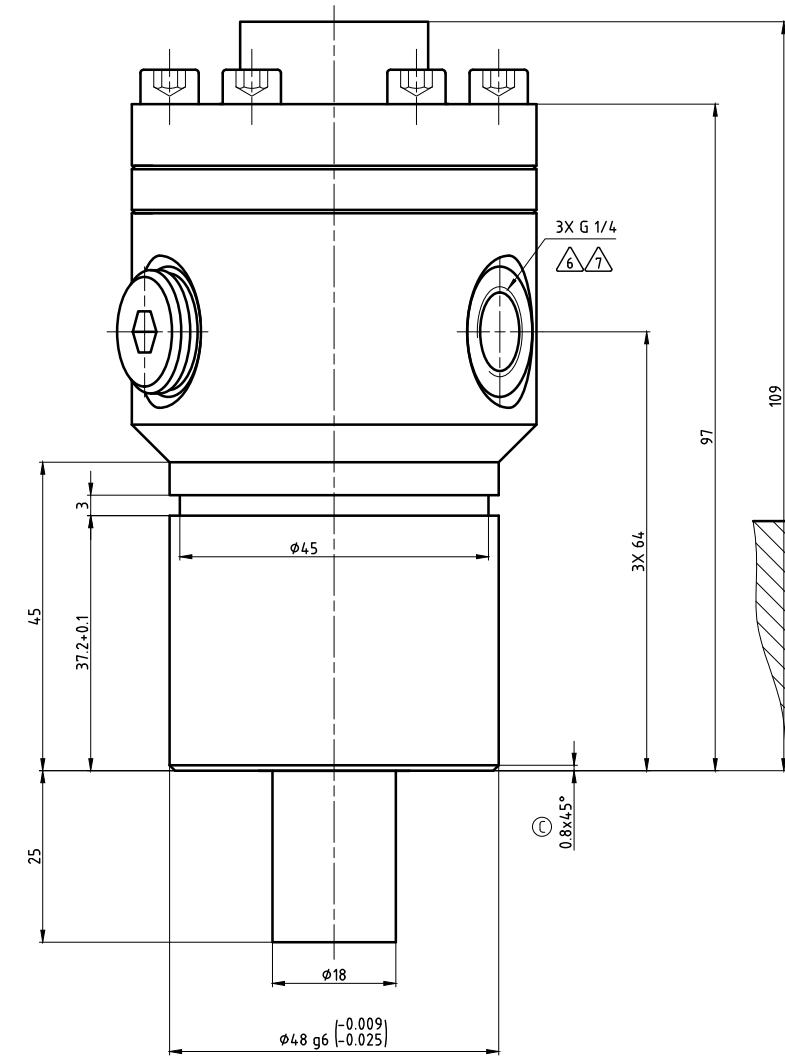
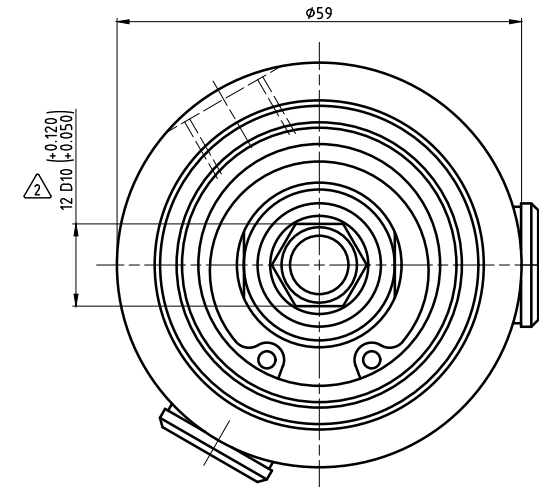
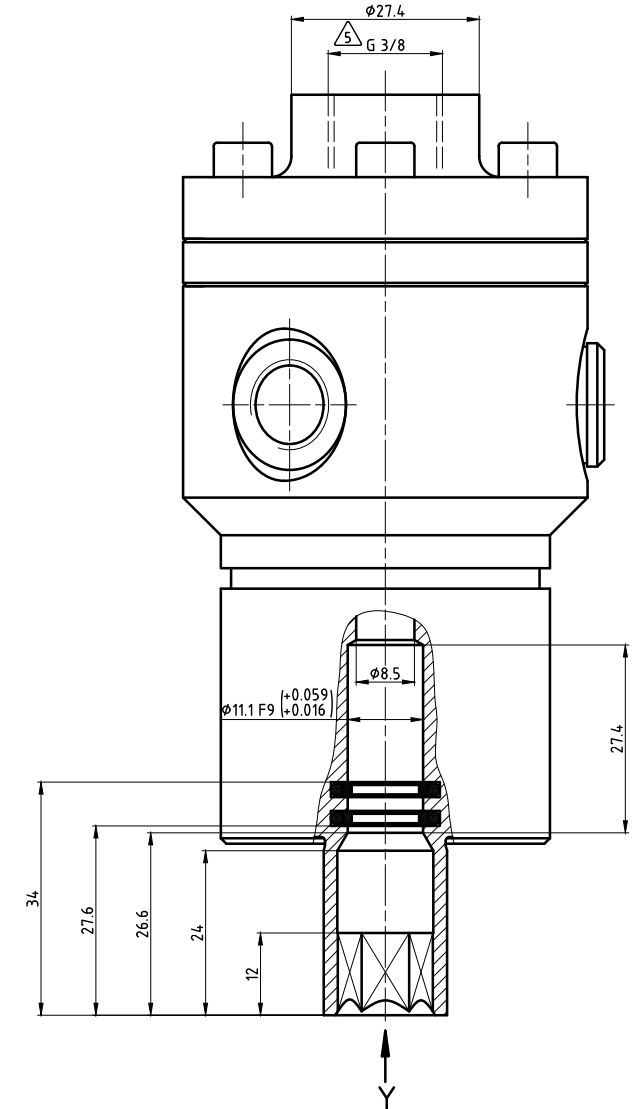
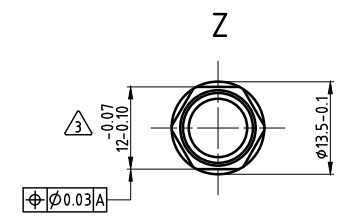
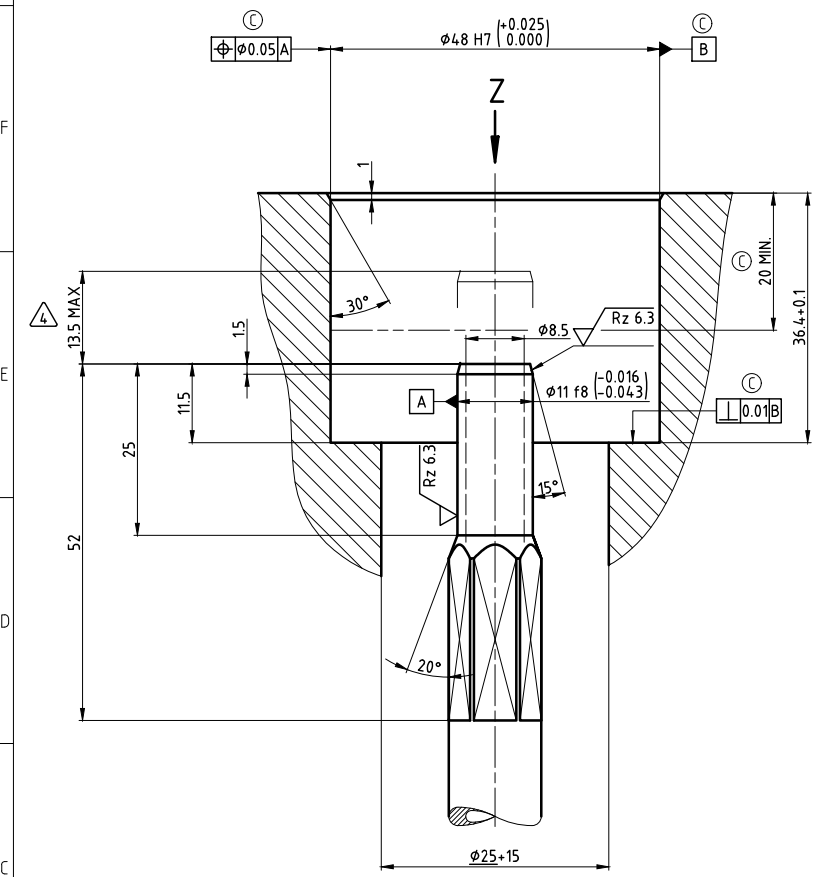


- NOTES:
- 1 - CONTACT DEUBLIN OR VISIT WWW.DEUBLIN.COM FOR INSTRUCTION MANUAL: 040-553
  - 2 - HEXAGON SOCKET
  - 3 - HEXAGON
  - 4 - MAX. STROKE
  - 5 - MEDIA PORT
  - 6 - 3X DRAIN PORT; 2X PLUGGED.
  - 7 - IN CASE OF VERTICAL MOUNTED ROTATING UNION, THE DRAIN LINE SHOULD NOT BE POSITIONED HIGHER THAN THE DRAIN PORT.  
IN CASE OF HORIZONTAL MOUNTED ROTATING UNION, THE DRAIN LINE SHOULD BE POSITIONED DOWNWARDS IN 6 O'CLOCK POSITION.

**CUSTOMER INTERFACE**



ROTATING UNION DURING ASSEMBLING TO CUSTOMER INTERFACE

OPERATING DATA				
MEDIA	COOLANT	MQL	AIR	
MEDIA PRESSURE	MAXIMUM 140 bar (D)	10 bar	10 bar	
	MINIMUM 1 bar	1 bar	1 bar	
FLOW RATE	MAXIMUM 82 L/min	3810 NL/min	3810 NL/min	
	MINIMUM 1 L/min	160 NL/min	160 NL/min	
TEMPERATURE	MAXIMUM 70 °C	70 °C	70 °C	
	MINIMUM 5 °C	5 °C	5 °C	
MAXIMUM SPEED	24000 min <sup>-1</sup> (D)	24000 min <sup>-1</sup> (D)	0 min <sup>-1</sup>	
AXIAL FORCE	9.48 N/bar			
DRY RUN	UNPRESSURIZED ONLY			
RECOMMENDED FILTRATION	ISO 4406 CLASS 17/15/12			

**DEUBLIN**  
Engineered for Performance

PROJECTION: SCALE: 2:1

MATERIAL: INTERFACE CONTROL DRAWING

TITLE: DEUBLIN ROTATING UNION  
DEUBLIN Drehdurchführung

NO. 1109-710-717

DATE	NAME	TITLE
16.05.2011	FD	DEUBLIN ROTATING UNION
16.05.2011	CW	DEUBLIN Drehdurchführung

UNLESS SPECIFICALLY TOLERANCED, ALL DIMENSIONS ARE CONSIDERED REFERENCE

ISSUE/MODIFICATION ECD DATE SIGN