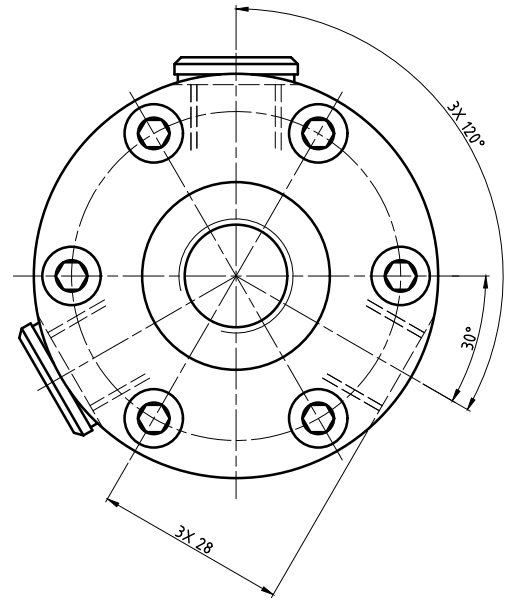
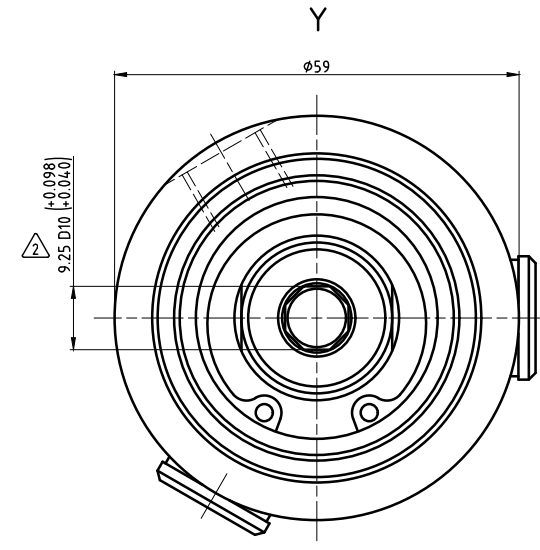
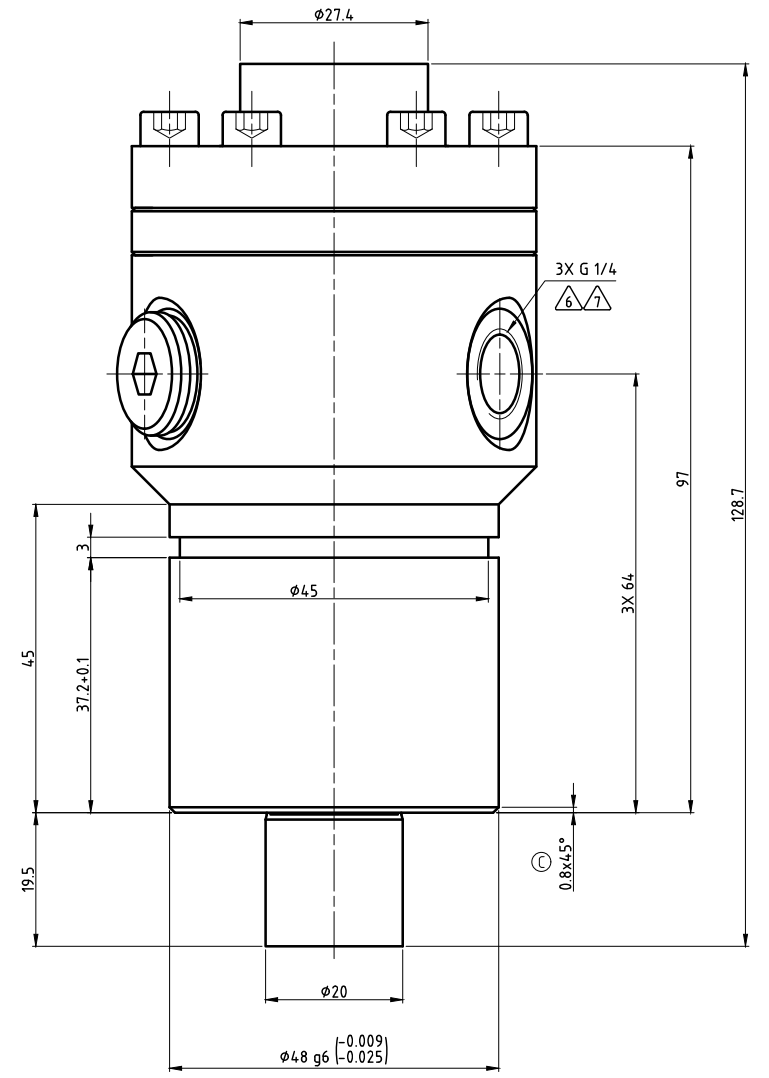
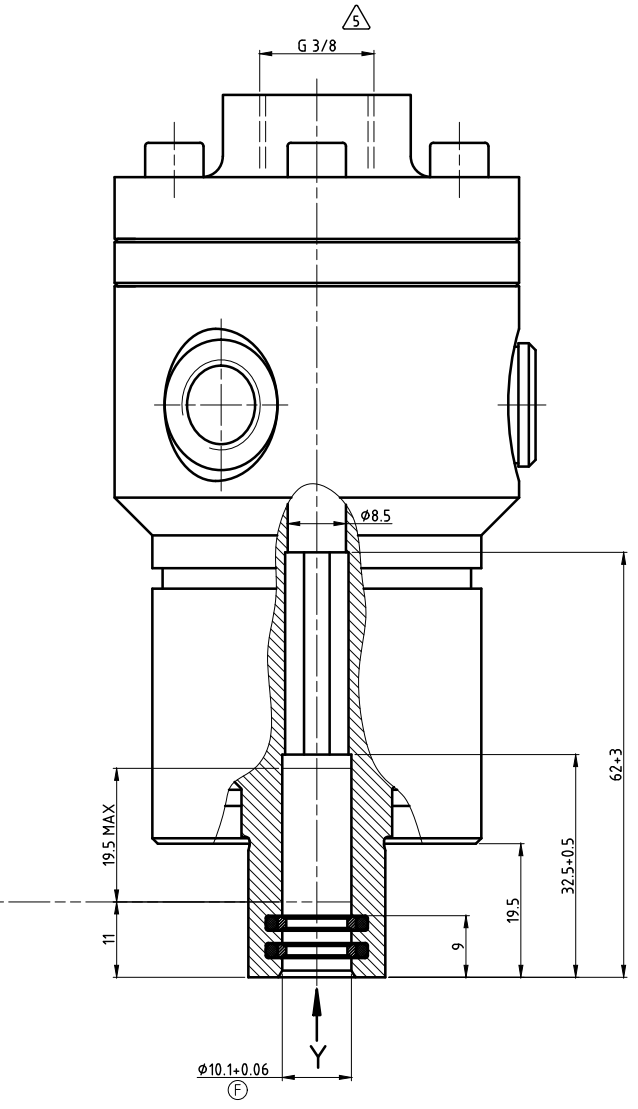
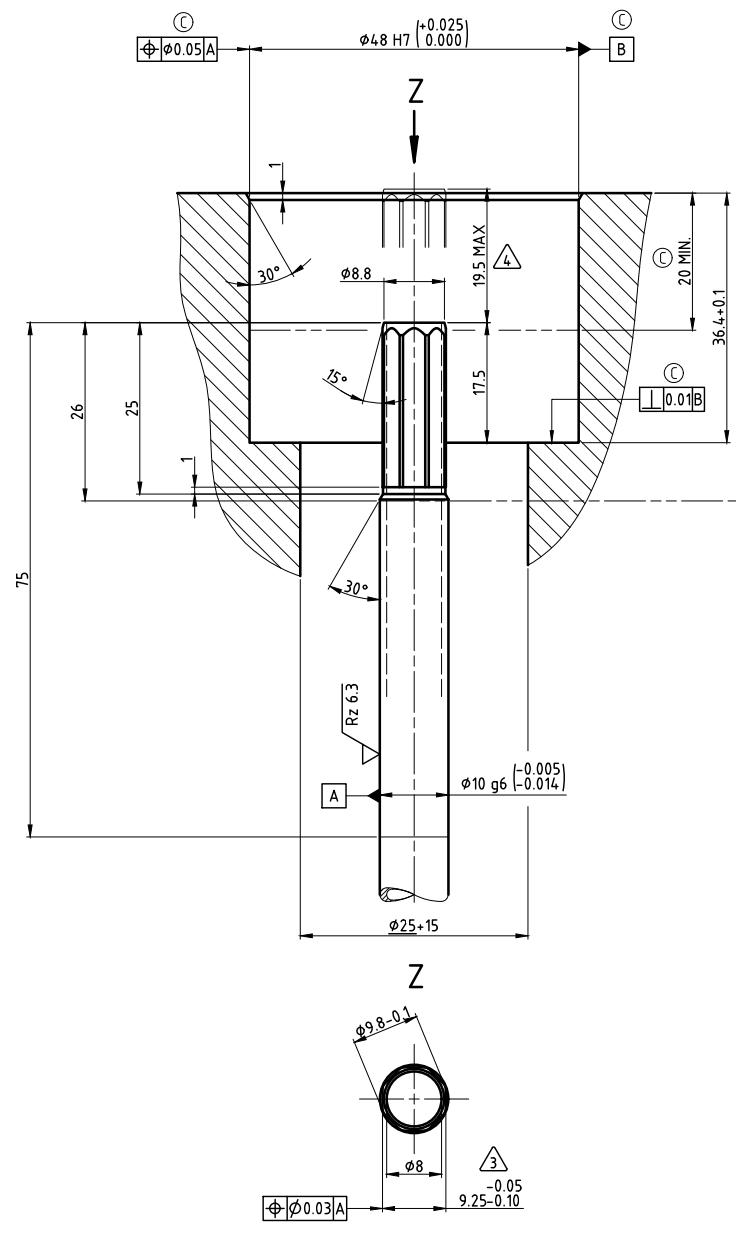


- NOTES:
- 1 - CONTACT DEUBLIN OR VISIT WWW.DEUBLIN.COM FOR INSTRUCTION MANUAL: 040-553
 - 2 - OCTAGON SOCKET
 - 3 - OCTAGON
 - 4 - MAX. STROKE
 - 5 - MEDIA PORT
 - 6 - 3X DRAIN PORT; 2X PLUGGED
 - 7 - IN CASE OF VERTICAL MOUNTED ROTATING UNION, THE DRAIN LINE SHOULD NOT BE POSITIONED HIGHER THAN THE DRAIN PORT.
IN CASE OF HORIZONTAL MOUNTED ROTATING UNION, THE DRAIN LINE SHOULD BE POSITIONED DOWNWARDS IN 6 O'CLOCK POSITION.

CUSTOMER INTERFACE



OPERATING DATA				
MEDIA	(E) CUTTING OIL <=15mm ² /s	COOLANT	MQL	AIR
MEDIA PRESSURE	MAXIMUM 140 bar	140 bar (D)	10 bar	10 bar
	MINIMUM 1 bar	1 bar	1 bar	1 bar
FLOW RATE	MAXIMUM 82 L/min	82 L/min	3810 NL/min	3810 NL/min
	MINIMUM 1 L/min	1 L/min	160 NL/min	160 NL/min
TEMPERATURE	MAXIMUM 70 °C	70 °C	70 °C	70 °C
	MINIMUM 5 °C	5 °C	5 °C	5 °C
MAXIMUM SPEED	16000 min ⁻¹	24000 min ⁻¹	24000 min ⁻¹ (D)	0 min ⁻¹
AXIAL FORCE	7.85 N/bar			
DRY RUN	UNLIMITED			
RECOMMENDED FILTRATION	ISO 4406 CLASS 17/15/12			

DEUBLIN
Engineered for Performance

PROJECTION: SCALE: 2:1

MATERIAL: INTERFACE CONTROL DRAWING

F	WKS MTR	D50428	01/19	FD	DATE	NAME	TITLE
E	Callig at add	D48564	08/18	EG	DRN	16.05.2011	FD
D	WKS ISM/IMP	D32154	02/15	FD	ENGR	16.05.2011	CW
C	WKS APPROP	D31353	12/14	CW	APPD.		
B	UPD/IMP	D25297	01/14	RA			
A	WKS ADD	D23764	06/13	FD			

UNLESS SPECIFICALLY TOLERANCED, ALL DIMENSIONS ARE CONSIDERED REFERENCE

NO. 1109-710-730

SHEET A1