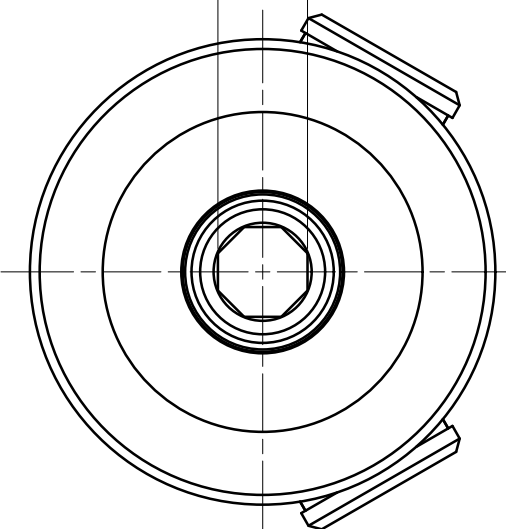
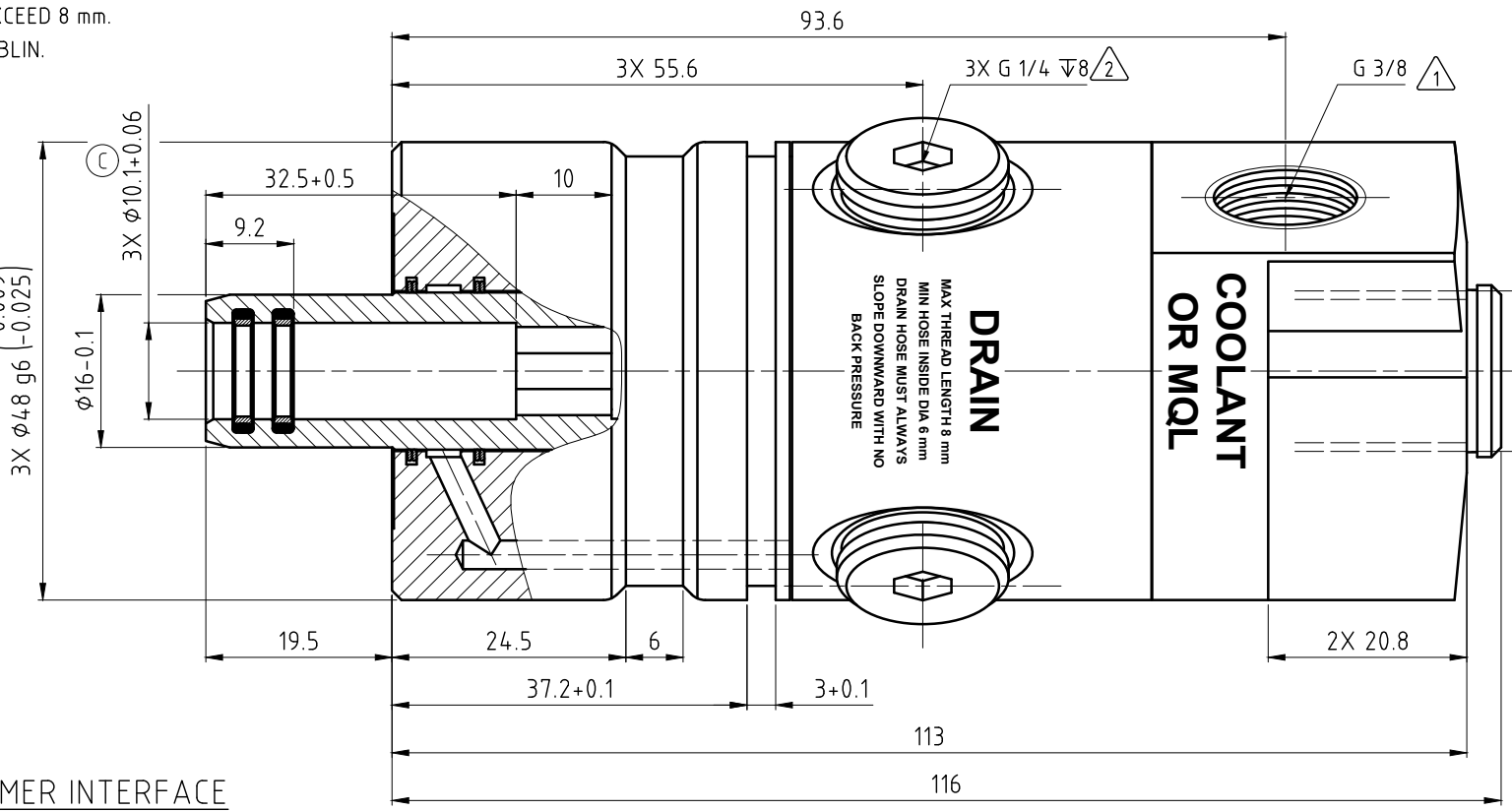
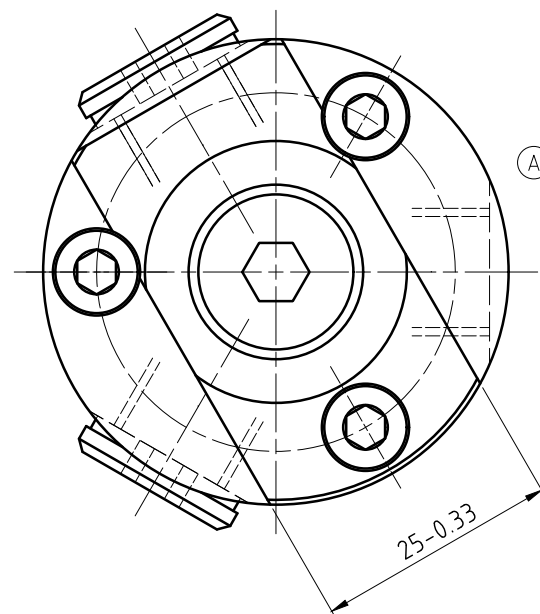
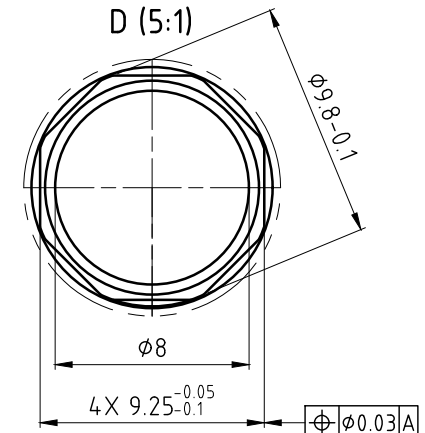
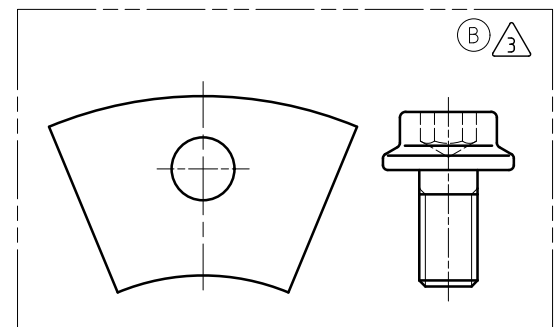
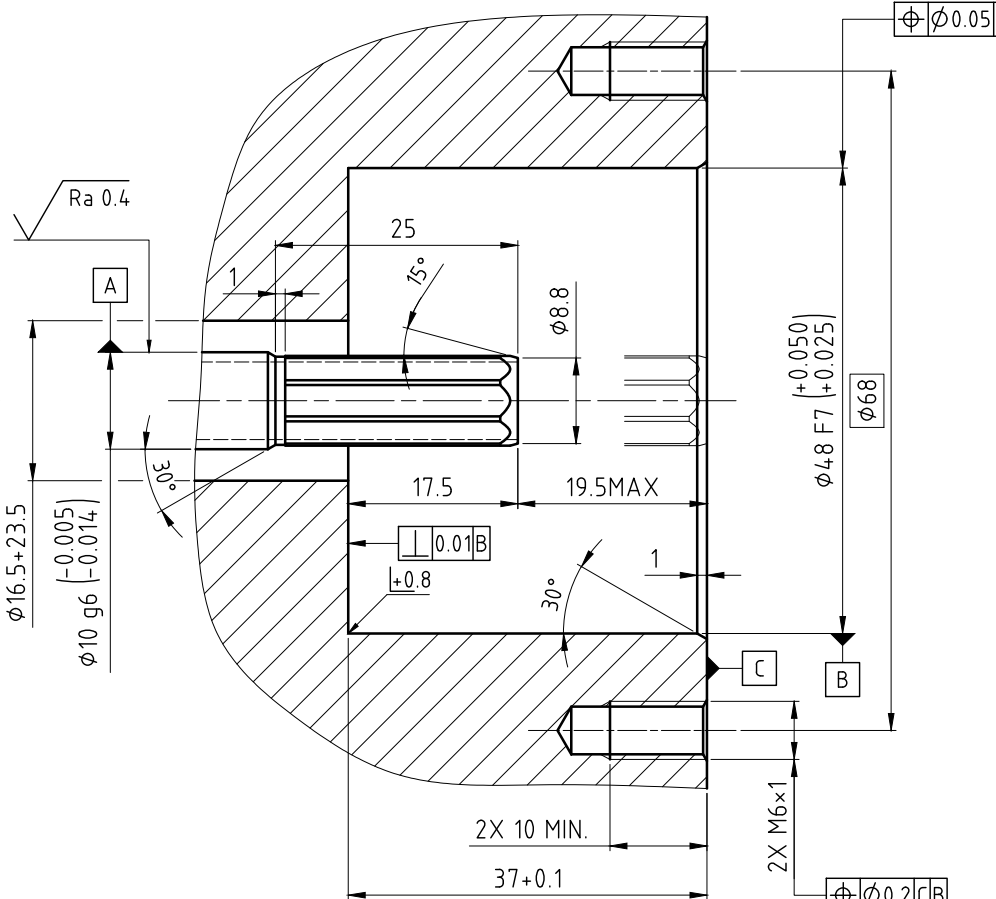
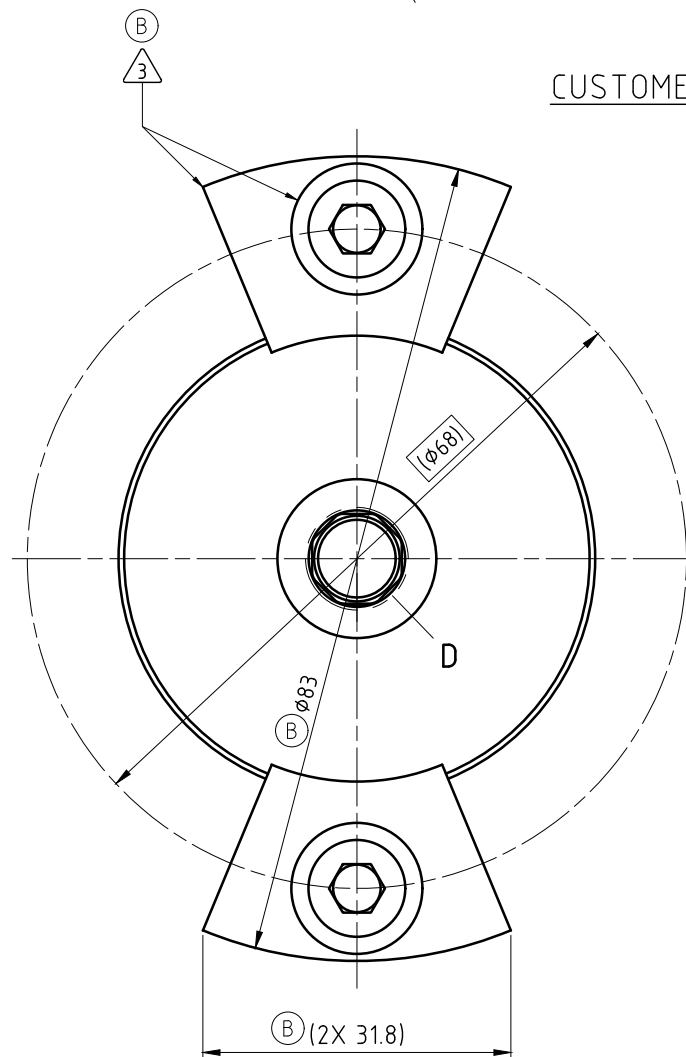


NOTES:

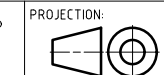
- ① - MEDIA SUPPLY PORT IS COMPLIANT WITH ISO 228 & ISO 1179. RECOMMENDED FITTING TIGHTENING TORQUE IS 15 Nm.
- ② - DRAIN PORT THREAD DEPTH IS SHORTER THAN REQUIREMENT FOR A STANDARD FITTING. DRAIN FITTING THREAD LENGTH CAN NOT EXCEED 8 mm.
- ③ - 2X CLAMP & 2X SCREW M6x12-10.9 SUPPLIED BY DEUBLIN.



CUSTOMER INTERFACE



OPERATING DATA					
MEDIA		CUTTING OIL <=15mm ² /s	COOLANT	MQL	AIR
MEDIA PRESSURE	MAXIMUM	150 bar	150 bar	10 bar	10 bar
	MINIMUM	1 bar	1 bar	1 bar	1 bar
FLOW RATE	MAXIMUM	82 L/min	82 L/min	3810 NL/min	3810 NL/min
	MINIMUM	1 L/min	1 L/min	160 NL/min	160 NL/min
TEMPERATURE	MAXIMUM	70 °C	70 °C	70 °C	70 °C
	MINIMUM	5 °C	5 °C	5 °C	5 °C
MAXIMUM SPEED		16000 min ⁻¹	24000 min ⁻¹	24000 min ⁻¹	0 min ⁻¹
AXIAL FORCE		7.85 N/bar			
DRY RUN		UNLIMITED			
RECOMMENDED FILTRATION		ISO 4406 CLASS 17/15/12			



SCALE: 2:1
 MATERIAL: INTERFACE CONTROL DRAWING

NO.	DESCRIPTION	DATE	NAME	DATE	NAME
D	WAS #181F9	053283	08/19	MSK	DRN
C	Cutting oil added	048603	08/2018	EG	ENGR.
B	FEATURES ADDED	039361	09/16	FD	APPD.
A	UPDATE g6 TOL	030024	09/14	MC	
NONE	RELEASED	028902	06/14	RA	
ISSUE	MODIFICATION	ECO	DATE	SIGN	

TITLE: DEUBLIN UNION, POP OFF, 24k/min BORE-MOUNTED
 NO. 1109-842-730