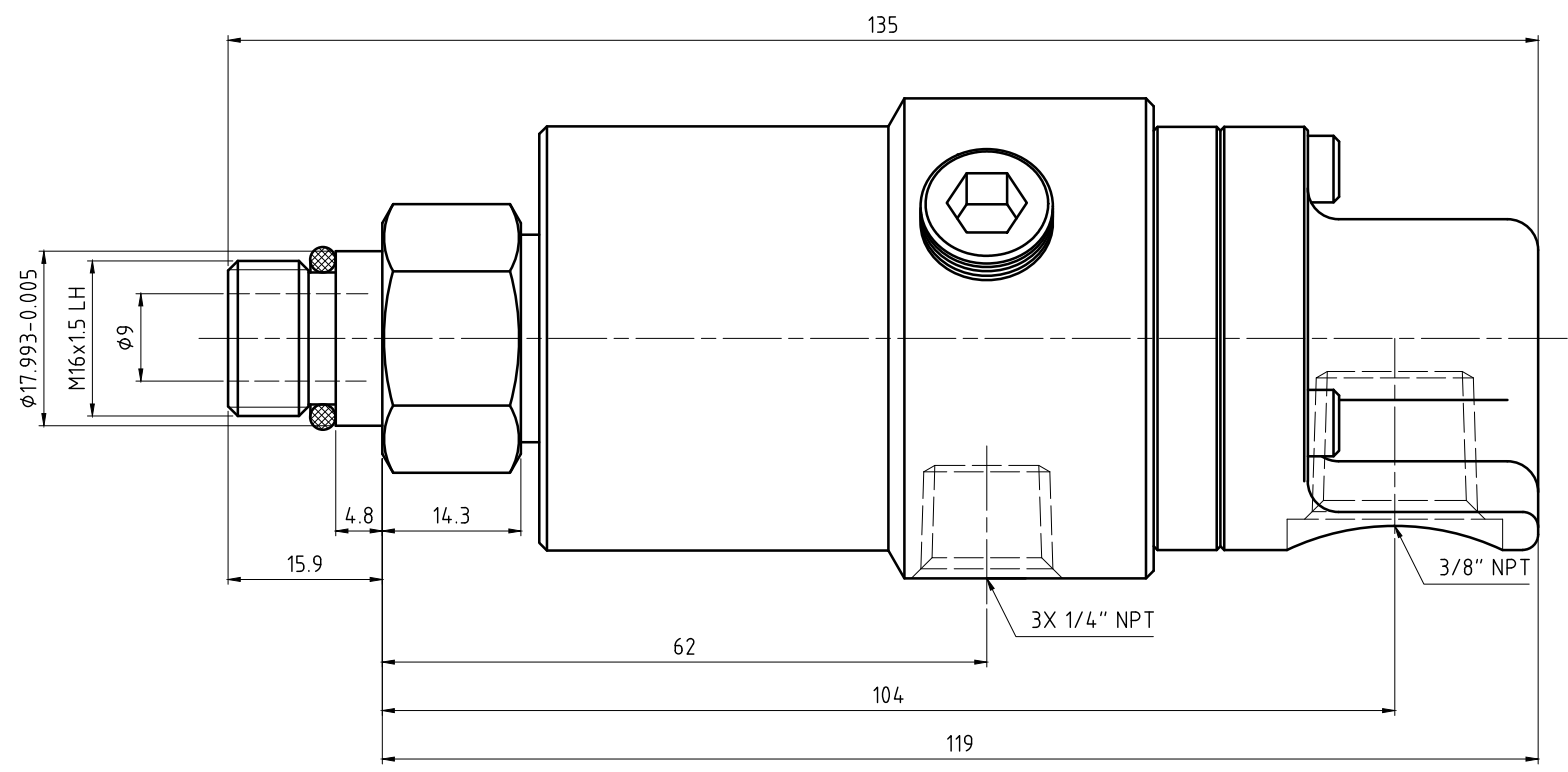
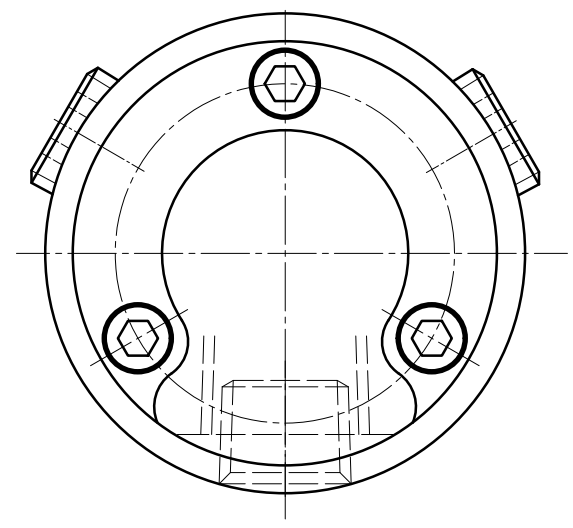
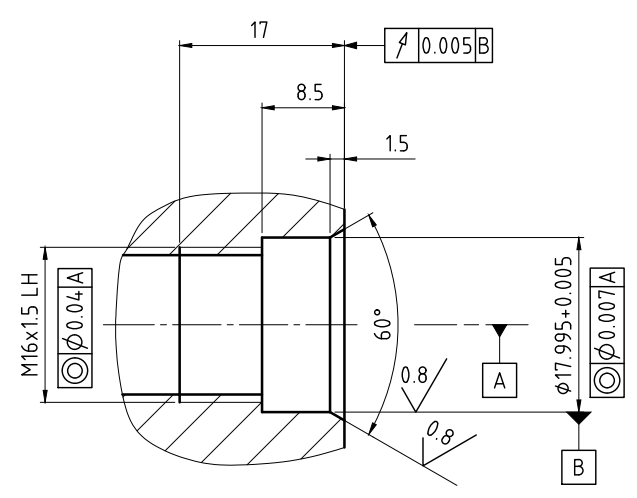


CONFIDENTIAL
 THIS DOCUMENT CONTAINS CONFIDENTIAL AND PROPRIETARY
 INFORMATION OF DEUBLIN COMPANY. COPYING, USE,
 TRANSMISSION, DISTRIBUTION, AND DISCLOSURE ARE SUBJECT
 TO THE TERMS AND CONDITIONS CONTAINED IN YOUR
 AGREEMENT WITH DEUBLIN COMPANY. ALL RIGHTS RESERVED.

NOTES:
 1 - HOUSING AND END CAP ARE ANODIZED FOR CORROSION PROTECTION.



CUSTOMER INTERFACE



OPERATING DATA		
MEDIA		WATER
PRESSURE	MAXIMUM	70 bar
	MINIMUM	1 bar
FLOW RATE	MAXIMUM	21.8 L/min
	MINIMUM	—
TEMPERATURE	MAXIMUM	71 °C
	MINIMUM	5 °C
MAXIMUM SPEED		12000 min ⁻¹
DRY RUN		UNPRESSURIZED ONLY

DEUBLIN COMPANY WAUKEGAN, ILLINOIS, U.S.A.	PROJECTION:	SCALE: 2:1	TITLE: INTERFACE CONTROL DRAWING DEUBLIN WATER UNION
		MATERIAL:	
	DATE	NAME	
	DRN. 10/15/2008	LG	
	ENGR. 10/24/2008	AL	
	APPD.		
A UPDATED HOUSING 003789 11/09 JK ISSUE MODIFICATION ECO DATE SIGN			NO. 902-179-188 SHEET A2
<small>UNLESS SPECIFICALLY TOLERANCED, ALL DIMENSIONS ARE CONSIDERED REFERENCE</small>			