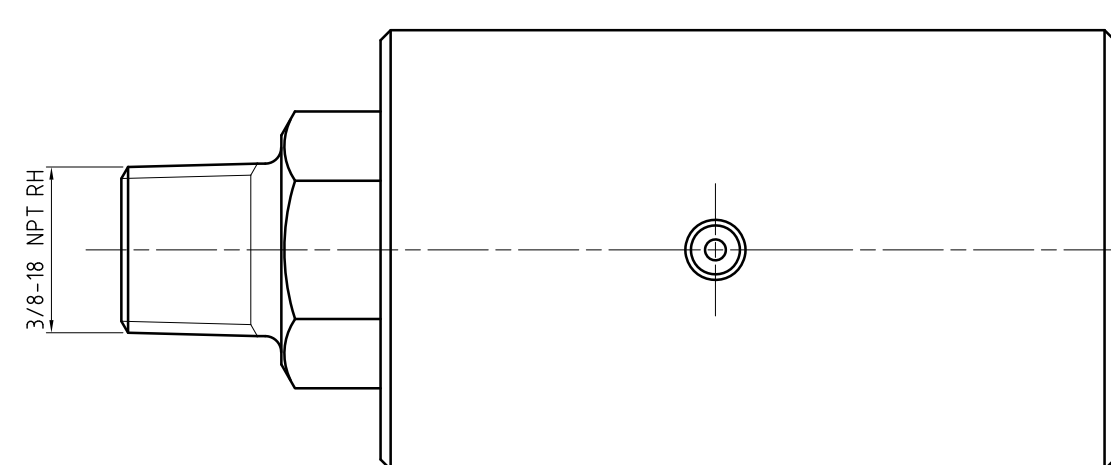
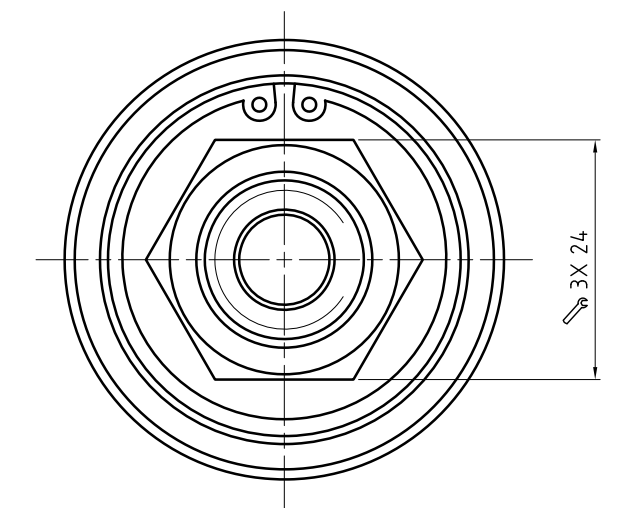
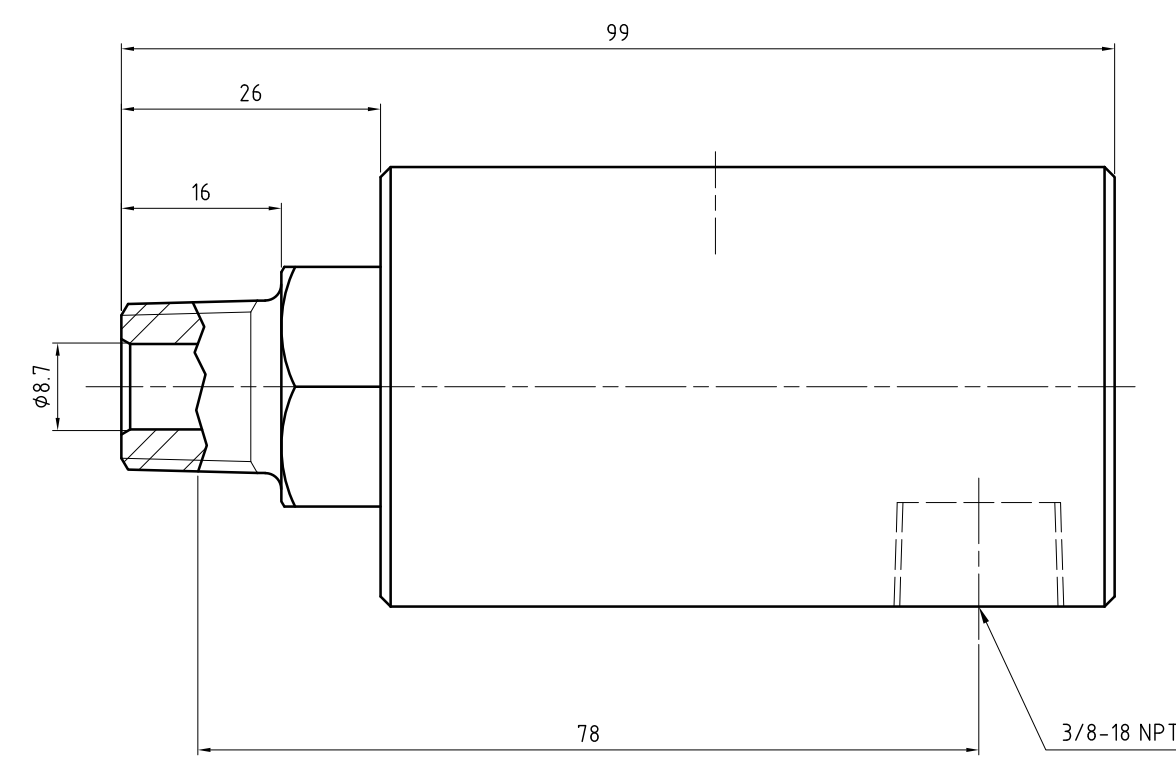
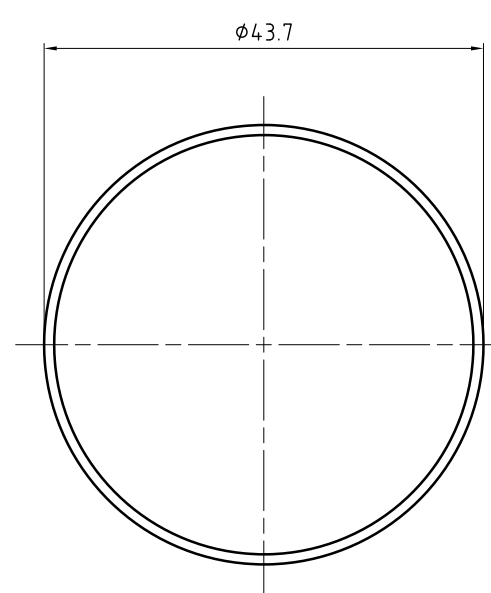


CONFIDENTIAL  
 THIS DOCUMENT CONTAINS CONFIDENTIAL AND PROPRIETARY INFORMATION OF DEUBLIN COMPANY. COPYING, USE, TRANSMISSION, DISTRIBUTION, AND DISCLOSURE ARE SUBJECT TO THE TERMS AND CONDITIONS CONTAINED IN YOUR AGREEMENT WITH DEUBLIN COMPANY. ALL RIGHTS RESERVED.



OPERATING DATA / Betriebsdaten				
Media / Medium	Oil / Hydrauliköl		Air / Luft	
P max.	500 PSI	35 bar	150 PSI	10 bar
N max.	1500 RPM	1500 1/min	1500 RPM	1500 1/min
T max.	250 °F	120 °C	250 °F	120 °C
Dry Run/Trockenlauf	Not Possible / nicht möglich			

		PROJECTION:	SCALE: 2:1				
		MATERIAL: INTERFACE CONTROL DRAWING					
		DATE: 11/14/18 NAME: N. Reyna	TITLE: DEUBLIN HOUSING				
		ENGR: 11/14/18 NAME: T. Wilson					
		APPD.					
A ISSUE	SEE CD MODIFICATION	62033 ECO	01/22 DATE	NR SIGN	UNLESS SPECIFICALLY TOLERANCED, ALL DIMENSIONS ARE CONSIDERED REFERENCE	NO. 1115-000-002	SHEET A2